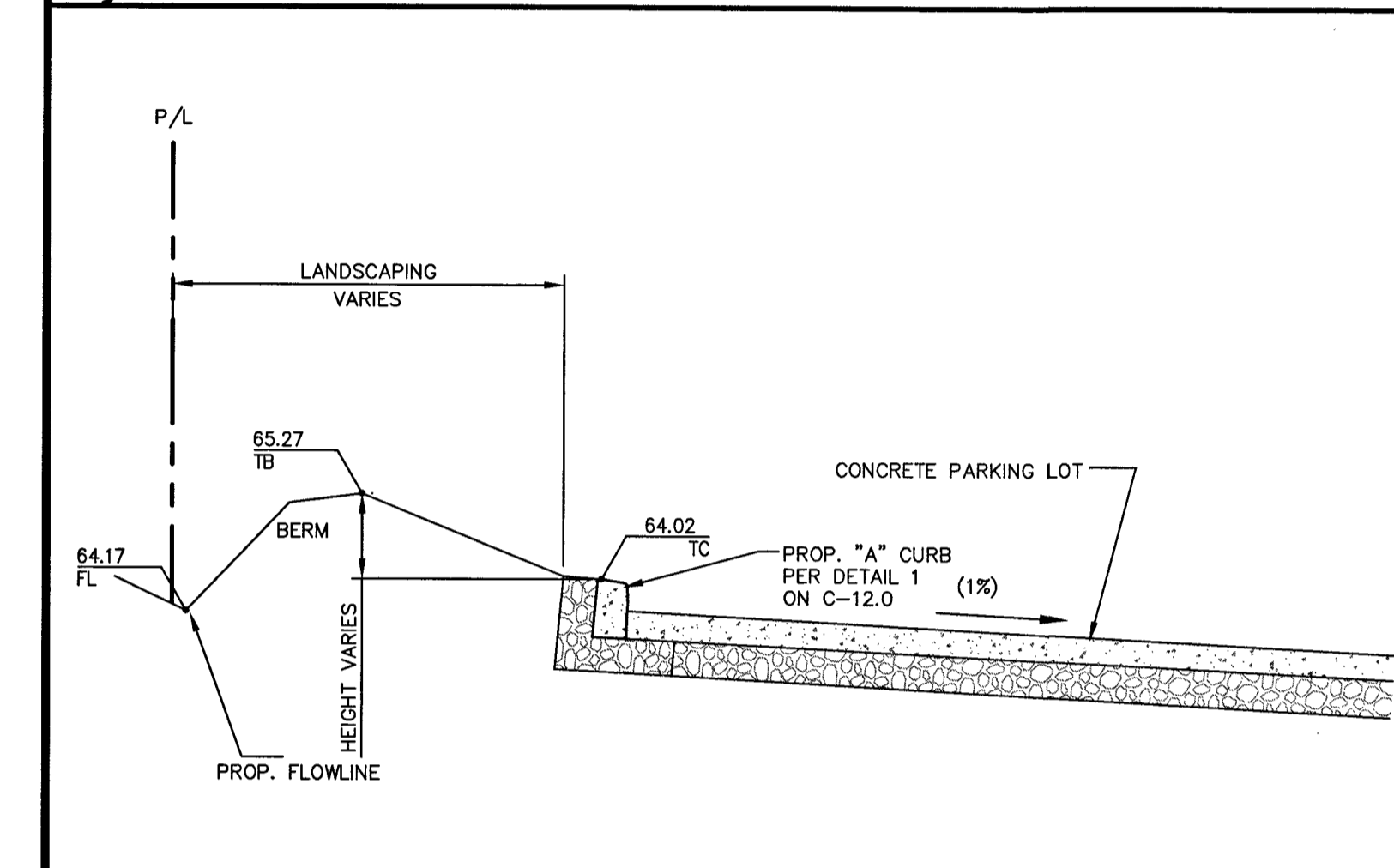
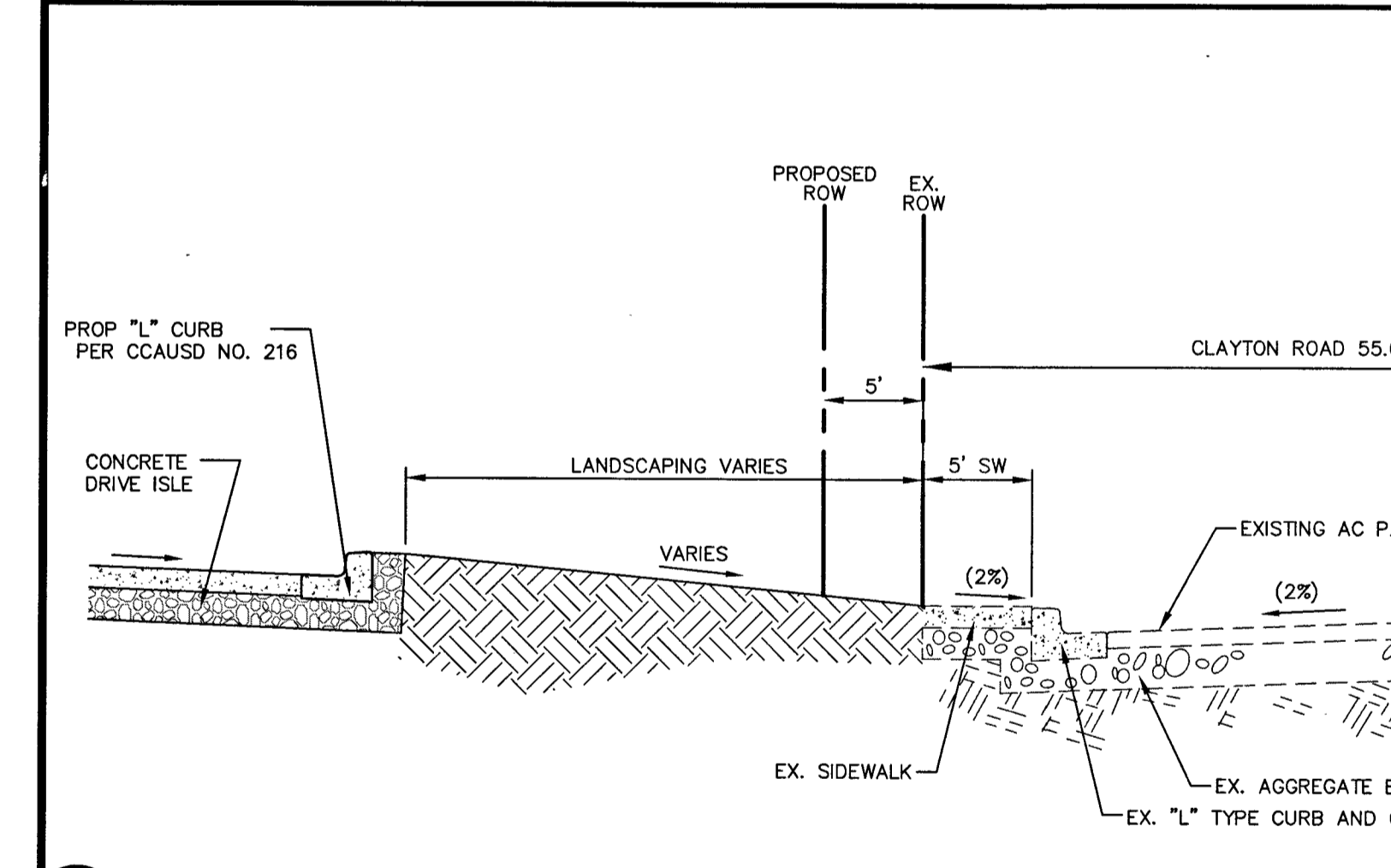


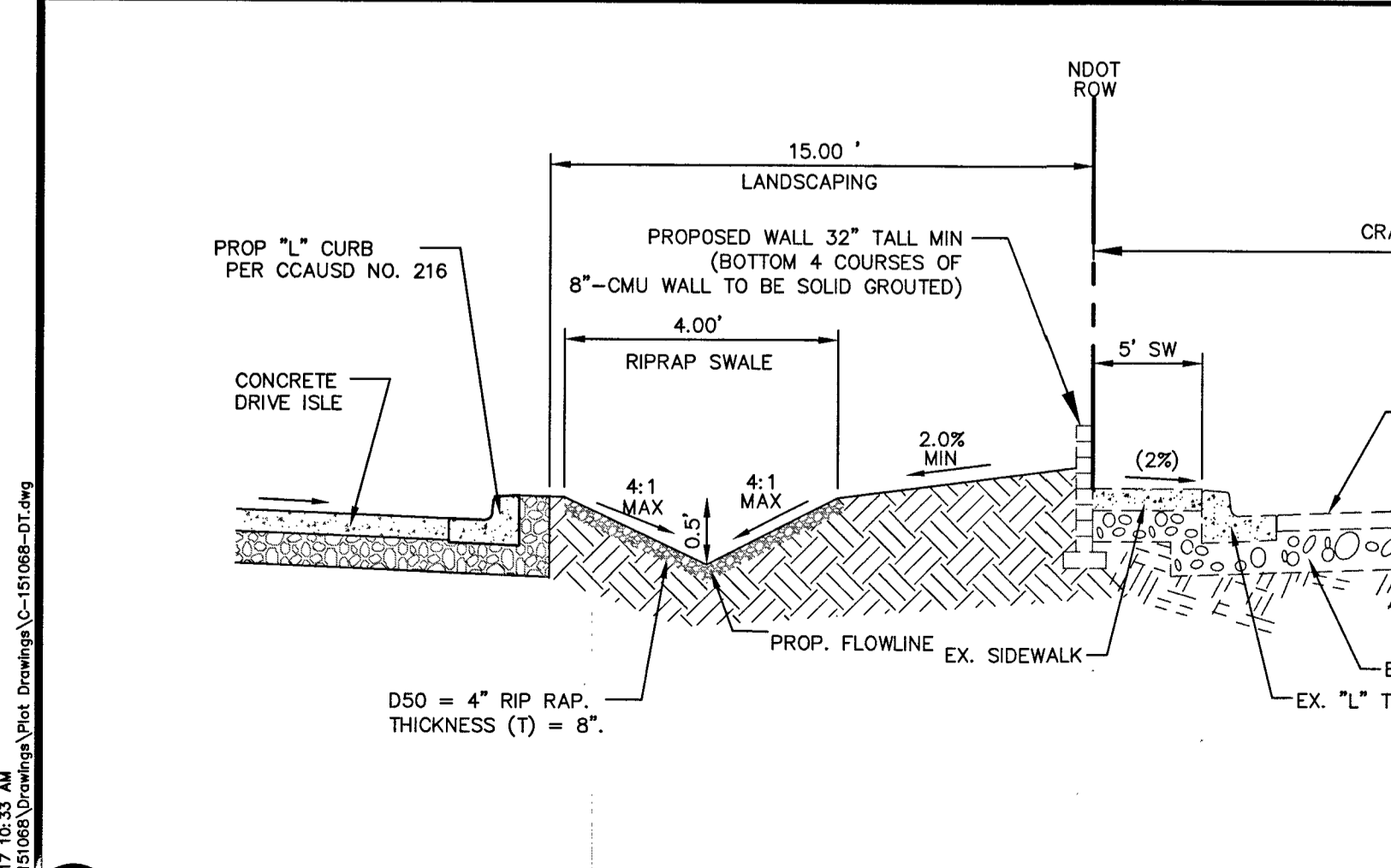
5 HANDICAP PAVEMENT MARKING NOT TO SCALE



D WEST SECTION NOT TO SCALE



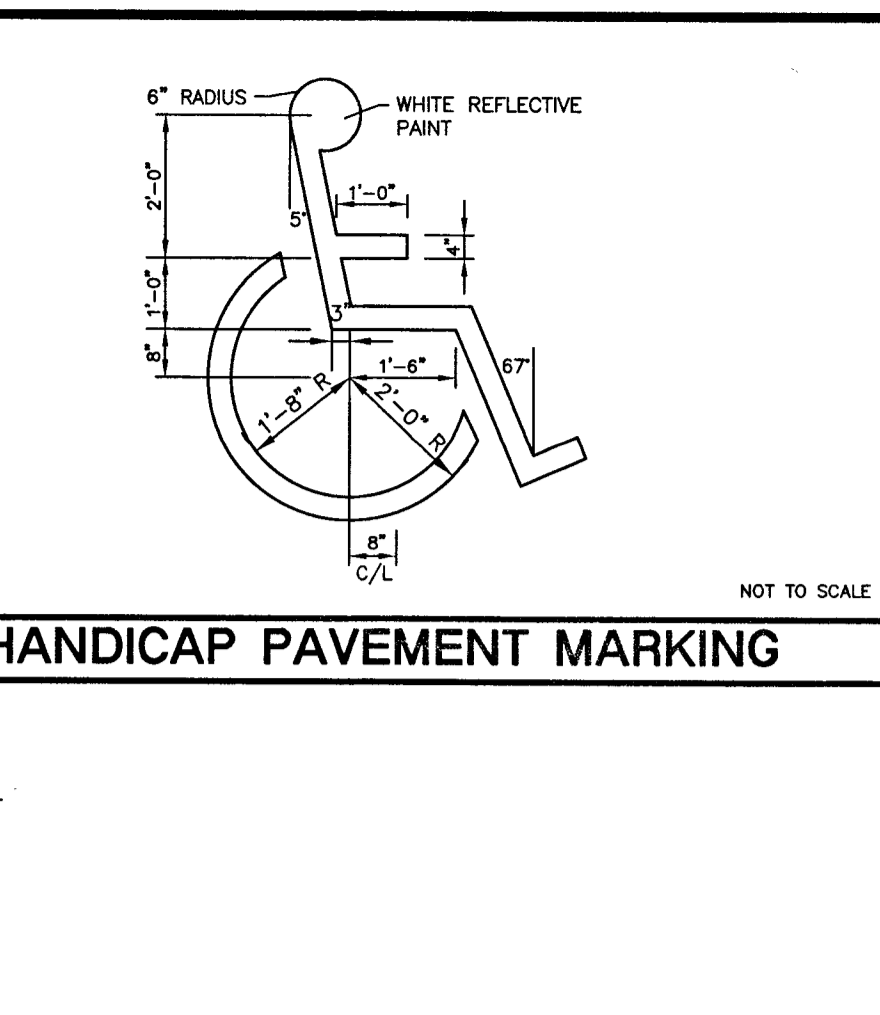
C SOUTH SECTION NOT TO SCALE



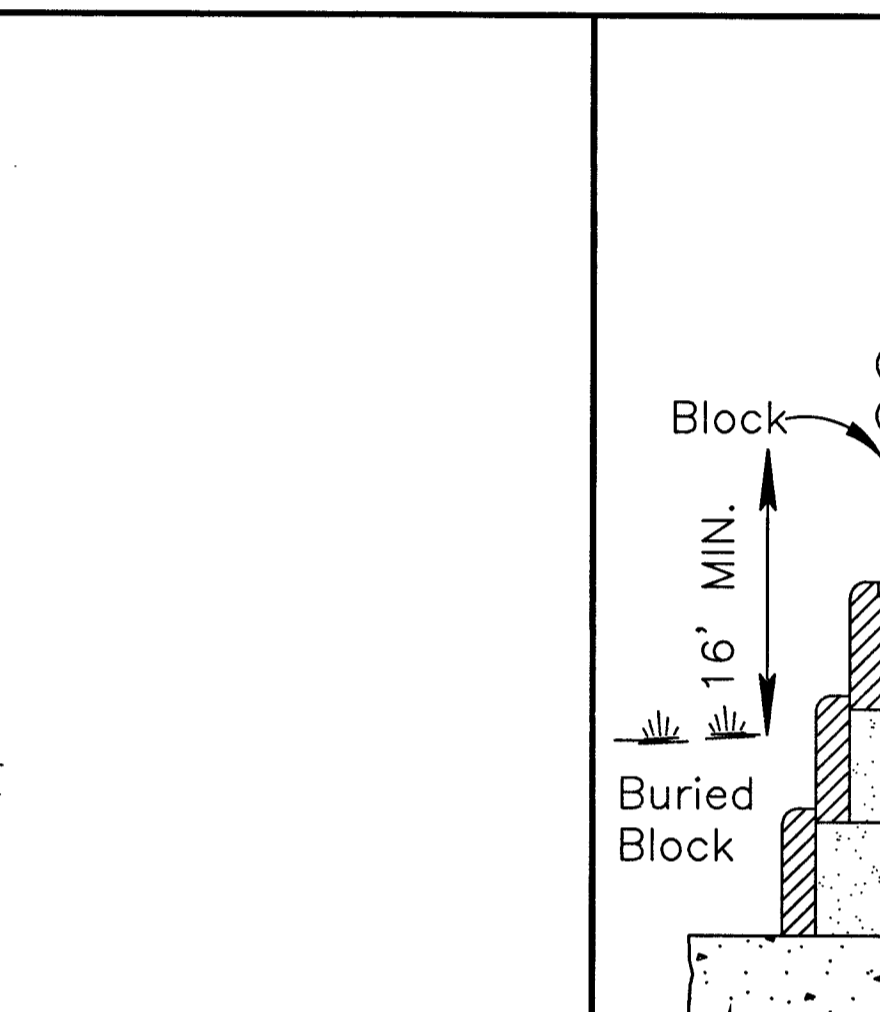
B EAST SECTION NOT TO SCALE



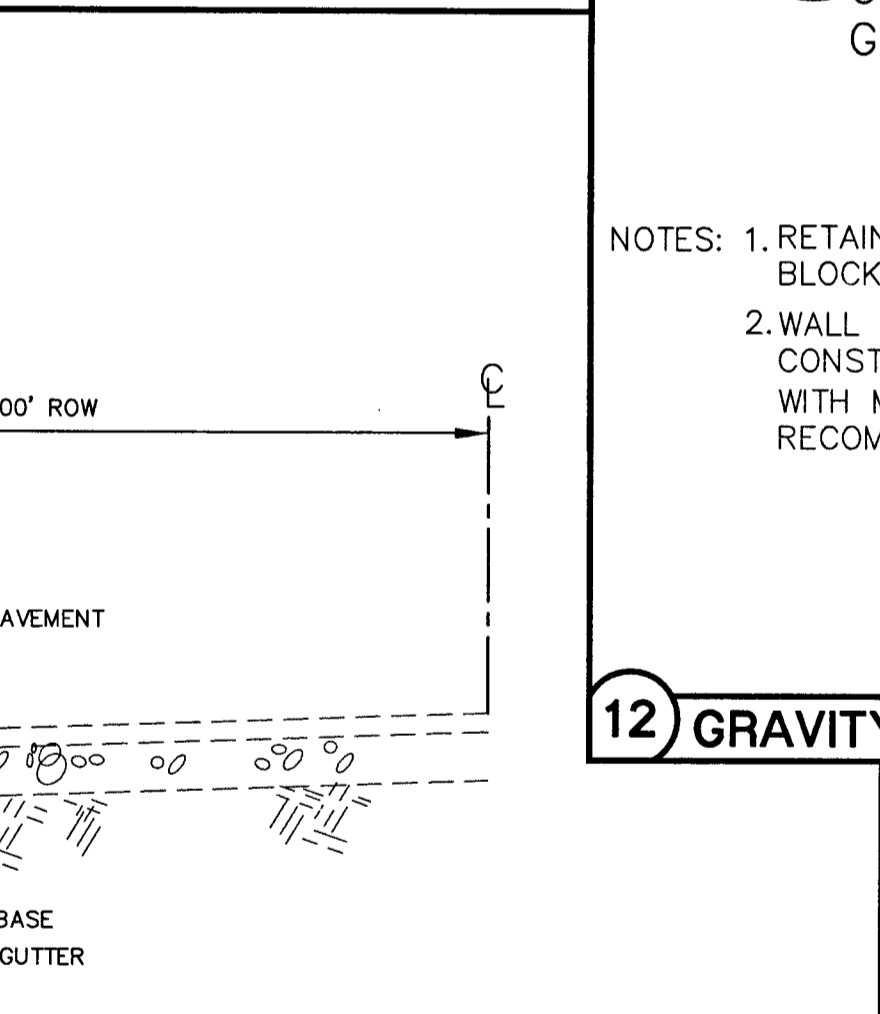
A NORTH SECTION NOT TO SCALE



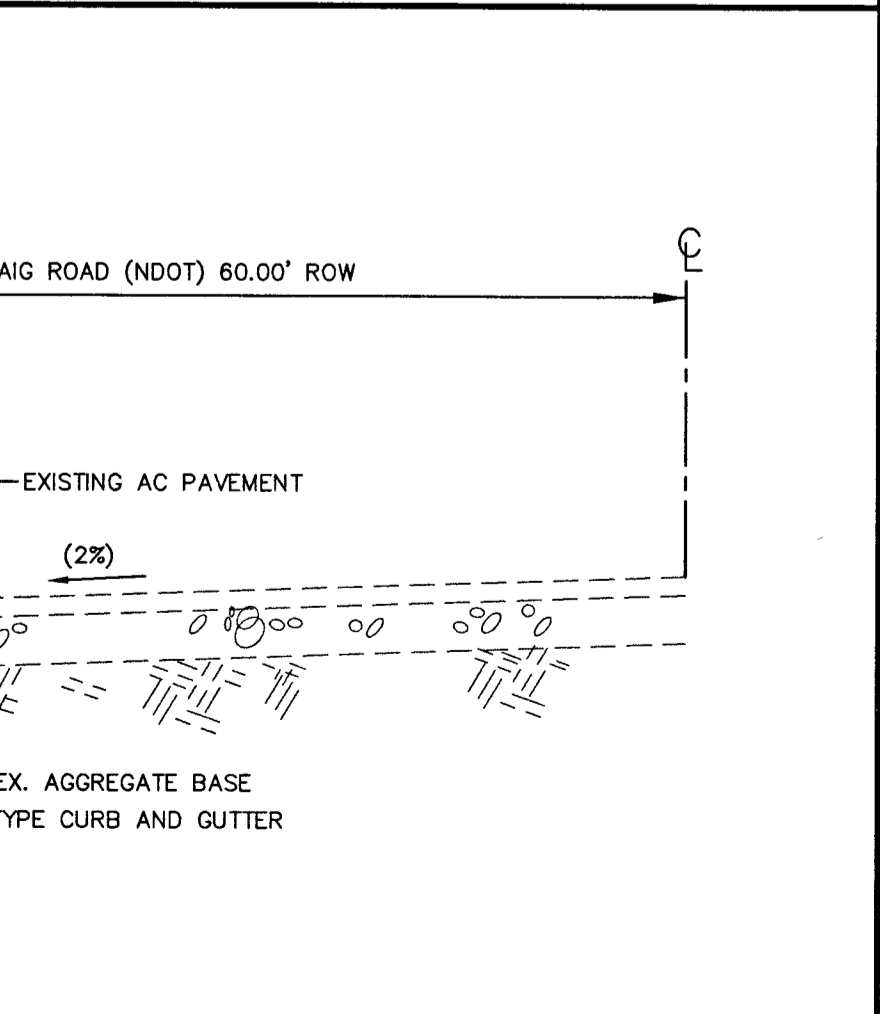
5 HANDICAP PAVEMENT MARKING NOT TO SCALE



D WEST SECTION NOT TO SCALE



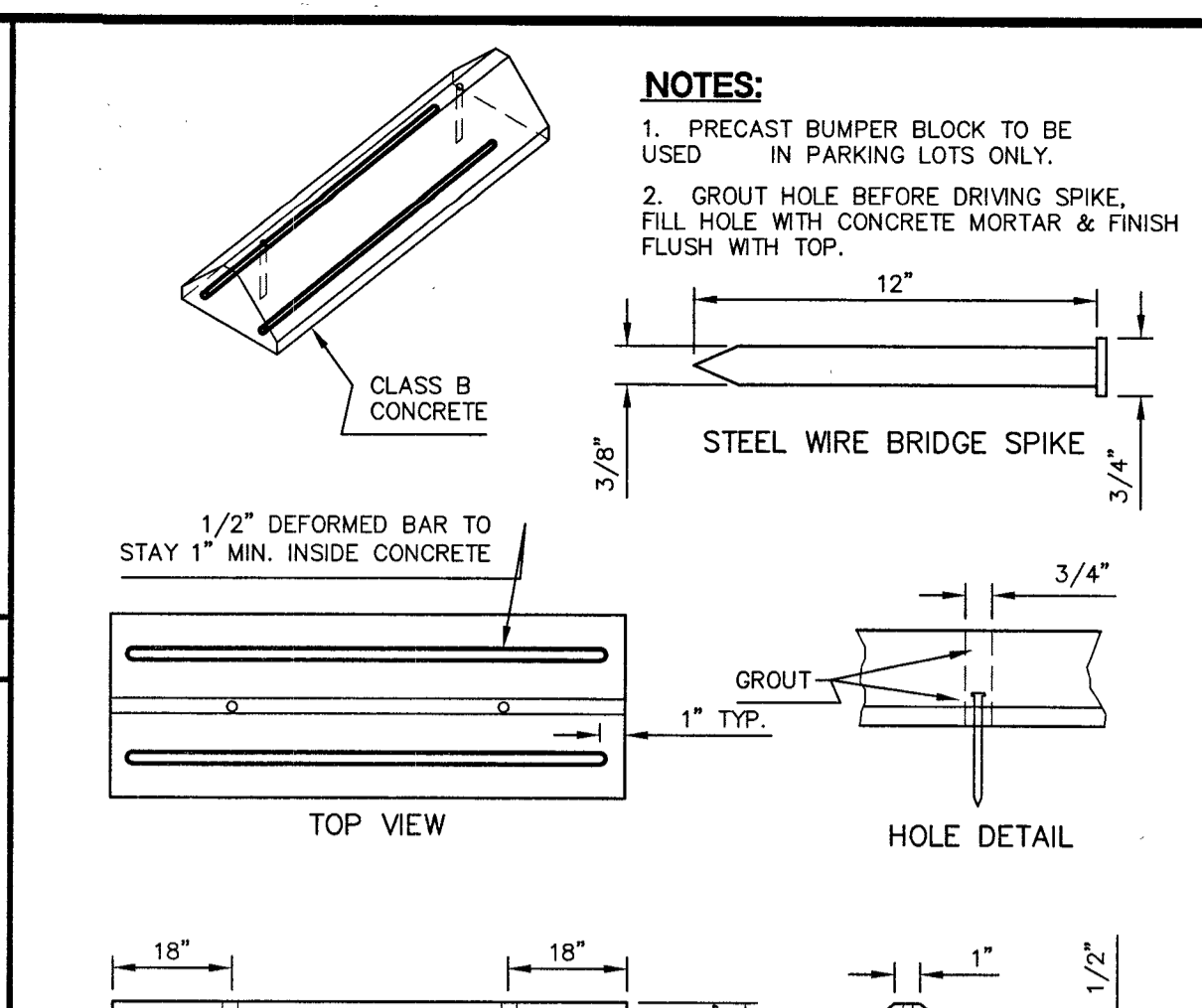
C SOUTH SECTION NOT TO SCALE



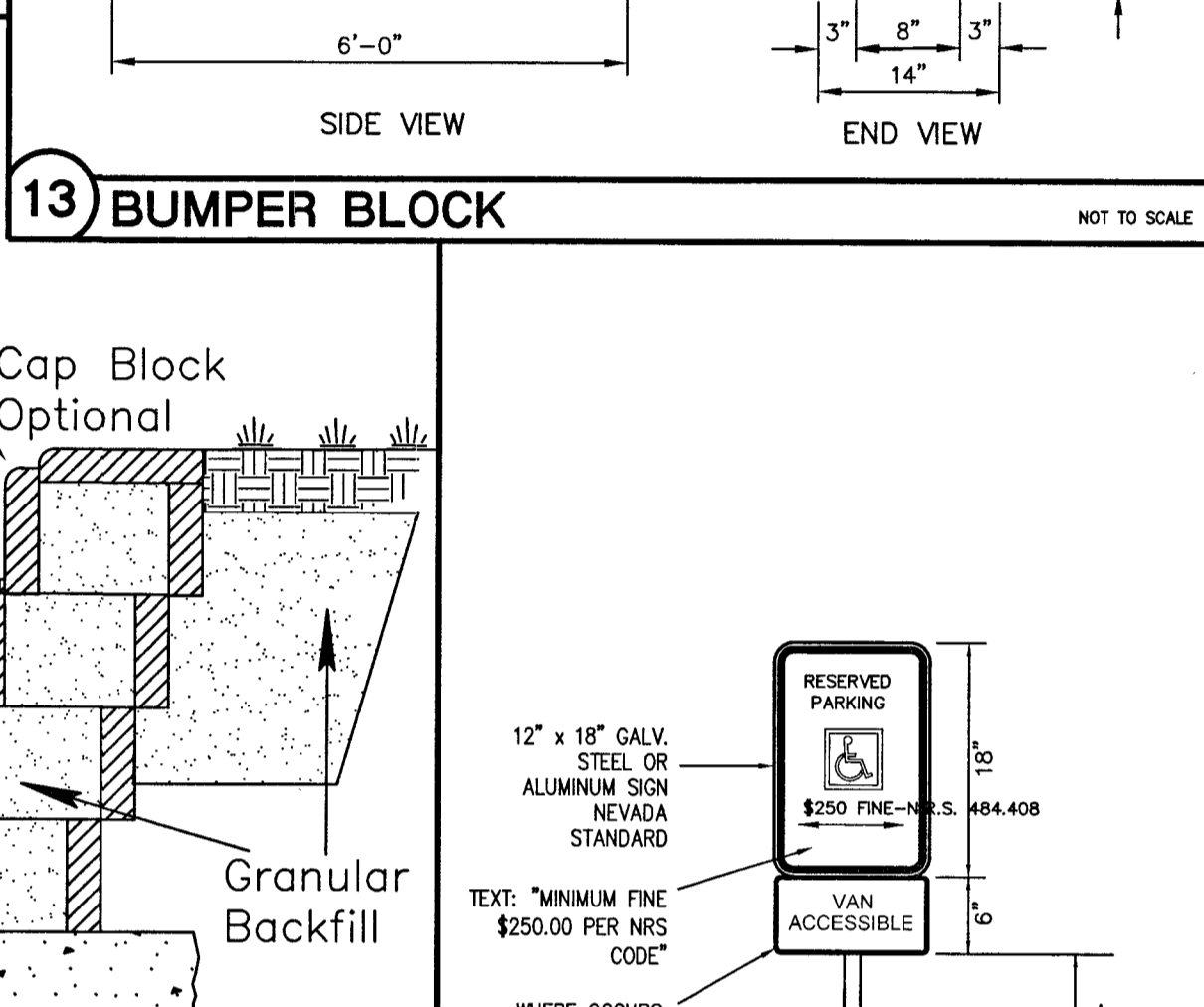
B EAST SECTION NOT TO SCALE



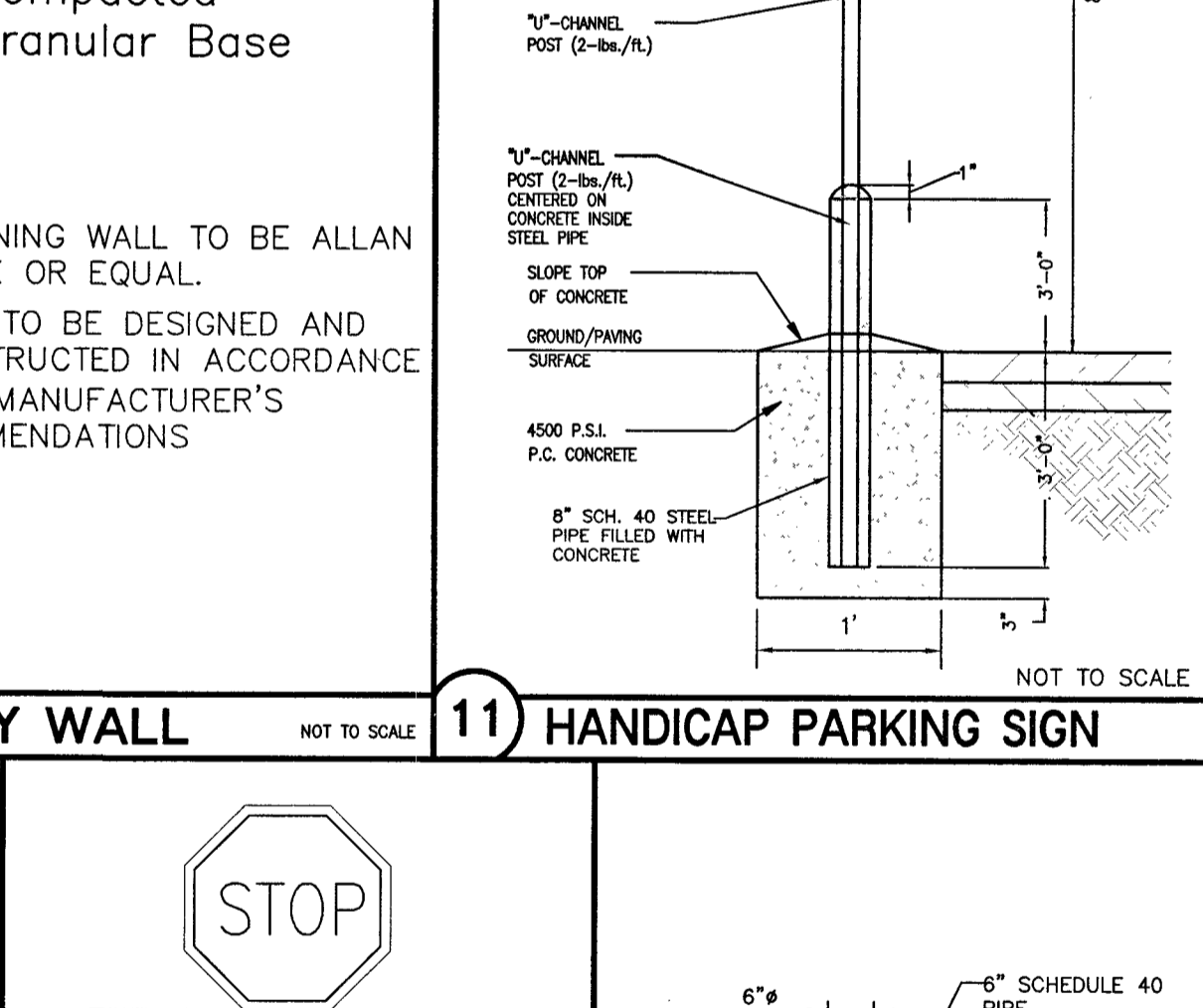
A NORTH SECTION NOT TO SCALE



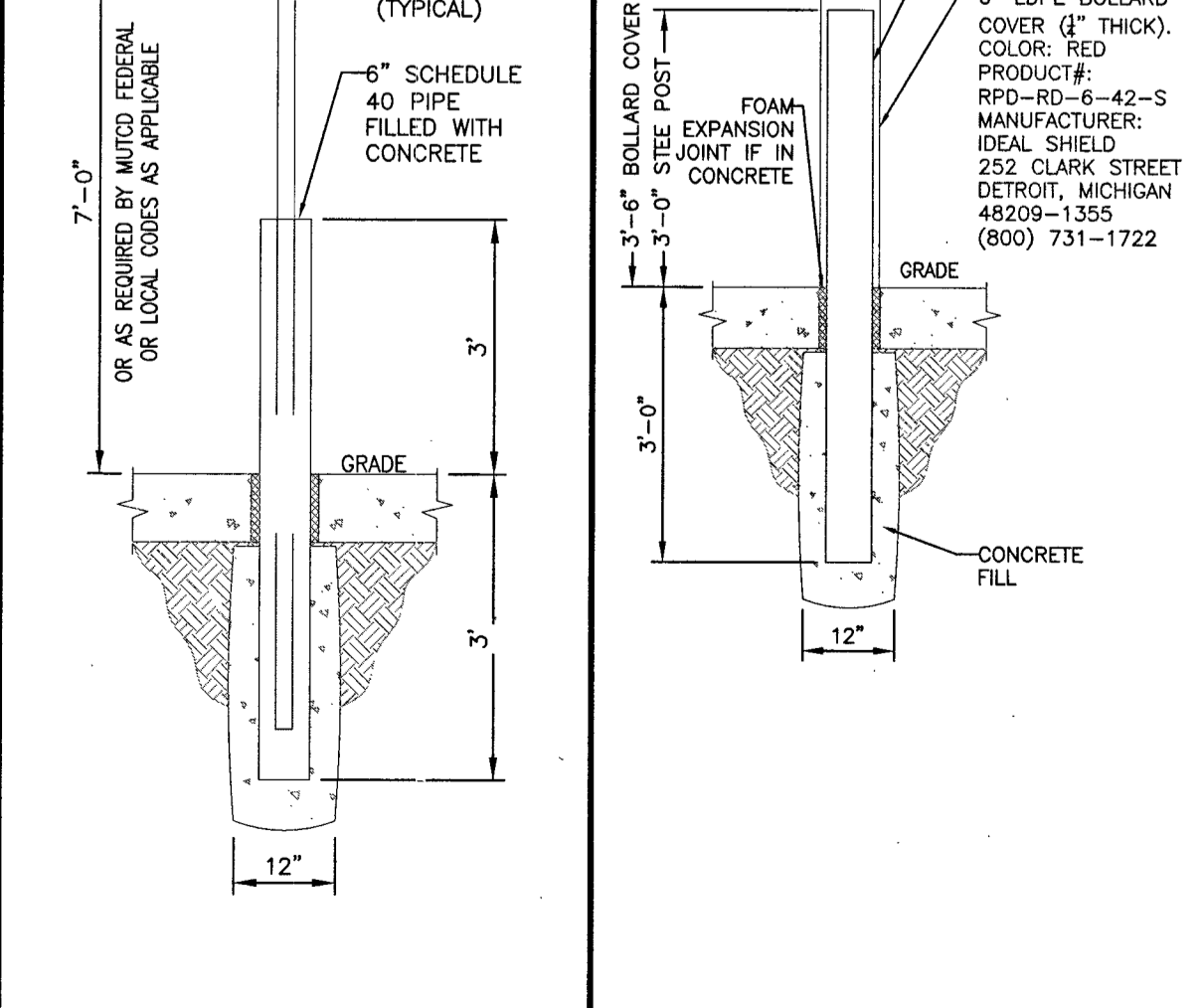
13 BUMPER BLOCK NOT TO SCALE



12 GRAVITY WALL NOT TO SCALE



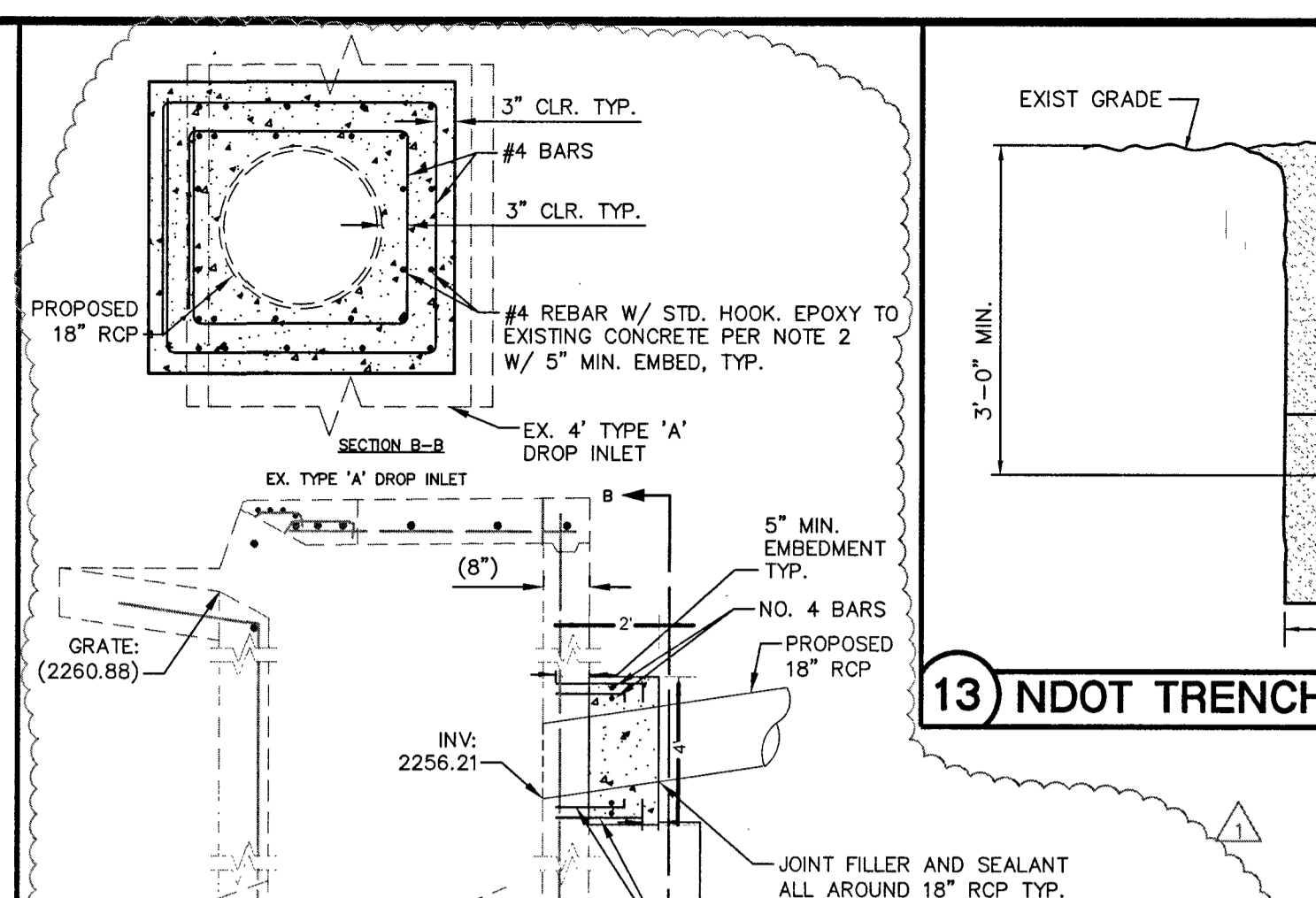
11 HANDICAP PARKING SIGN NOT TO SCALE



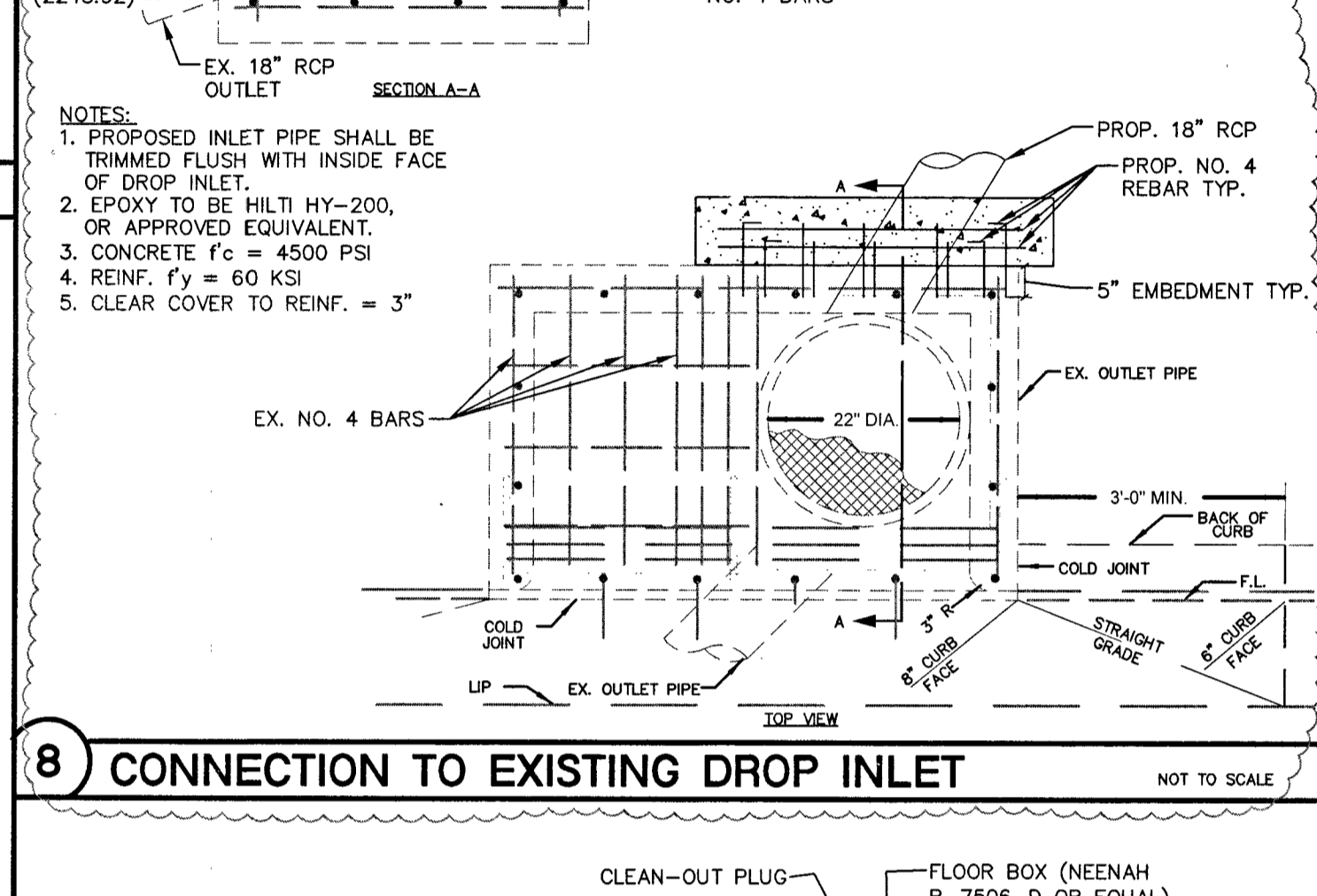
10 TRAFFIC SIGN NOT TO SCALE



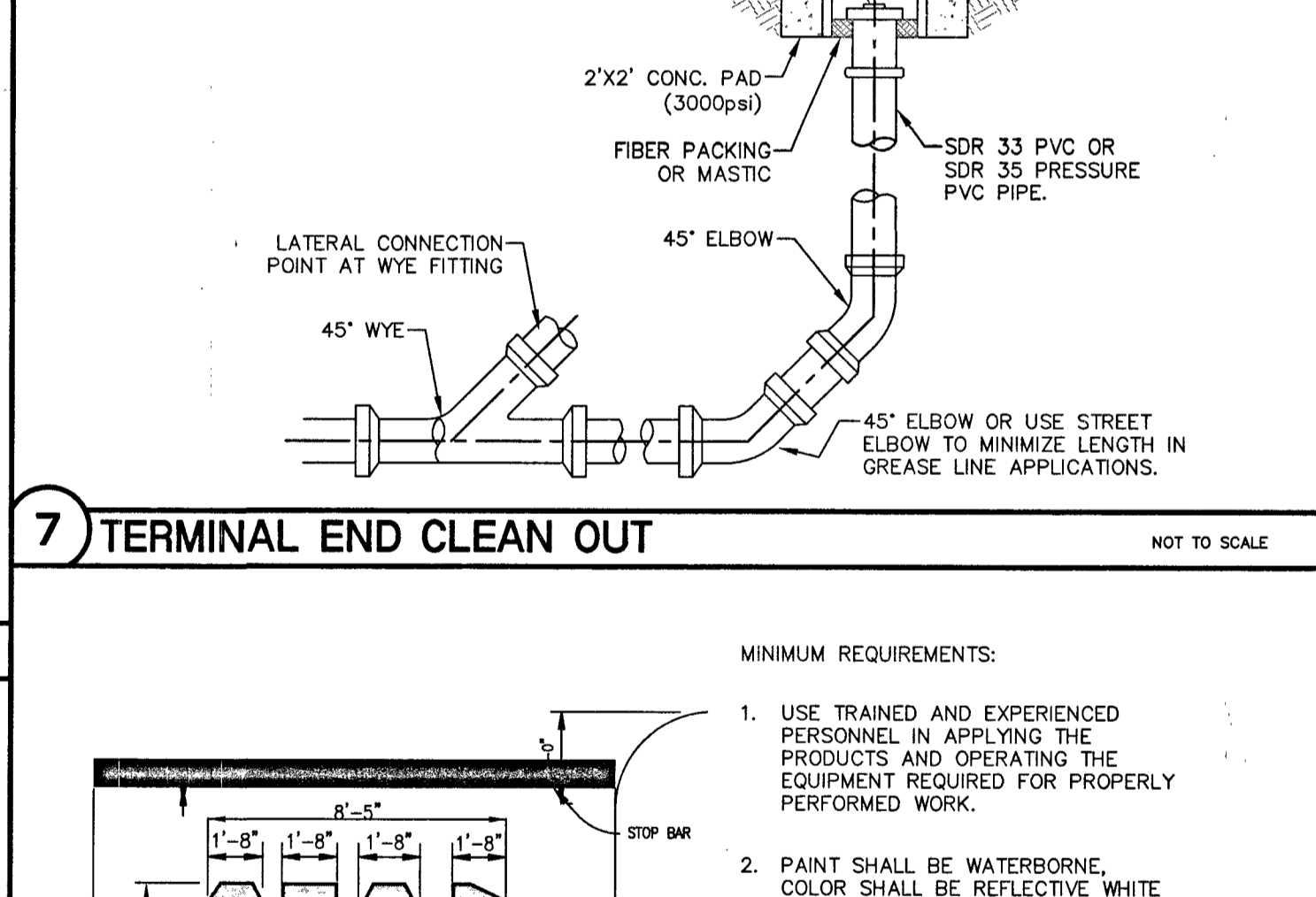
9 STEEL BOLLARD NOT TO SCALE



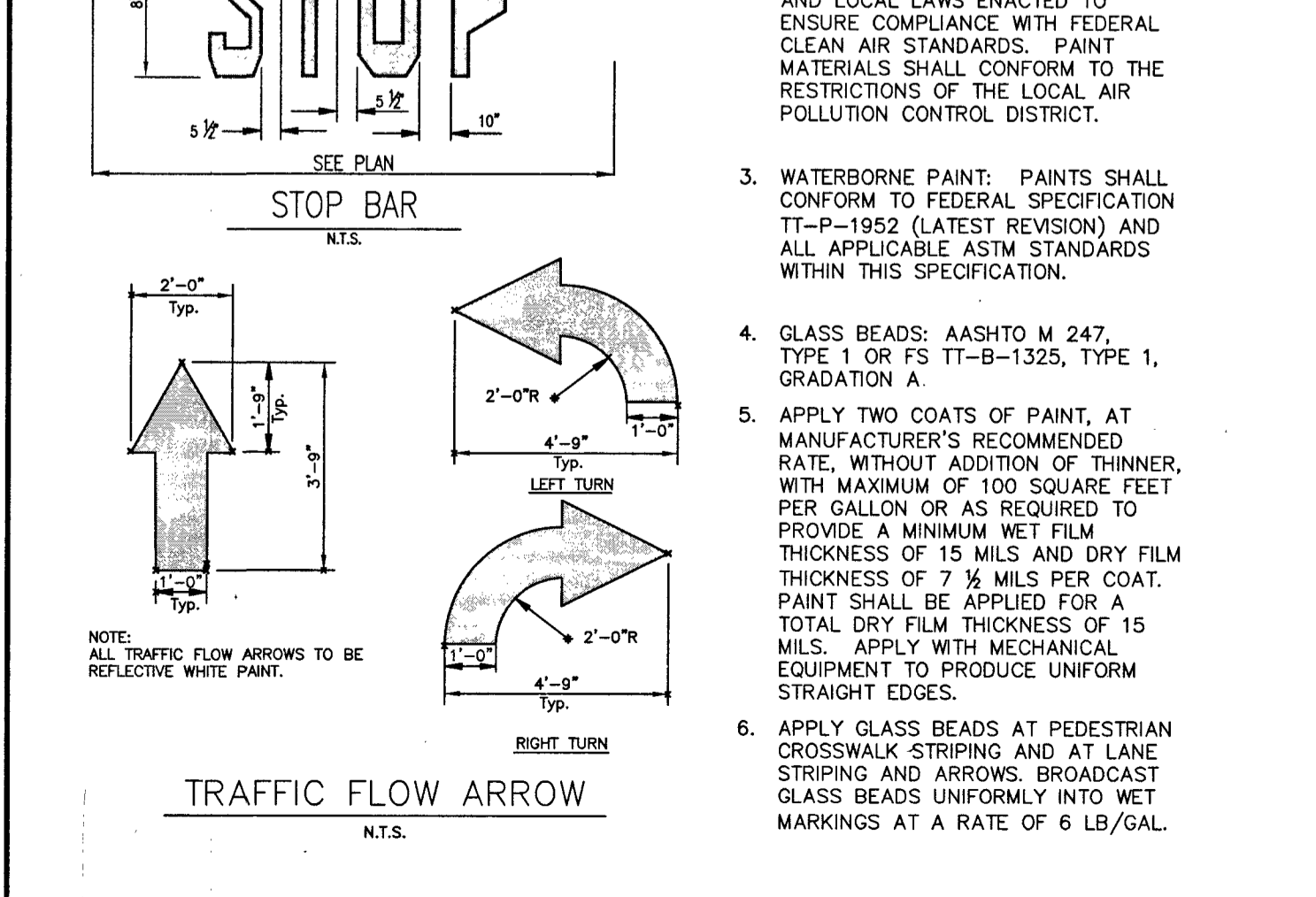
8 CONNECTION TO EXISTING DROP INLET NOT TO SCALE



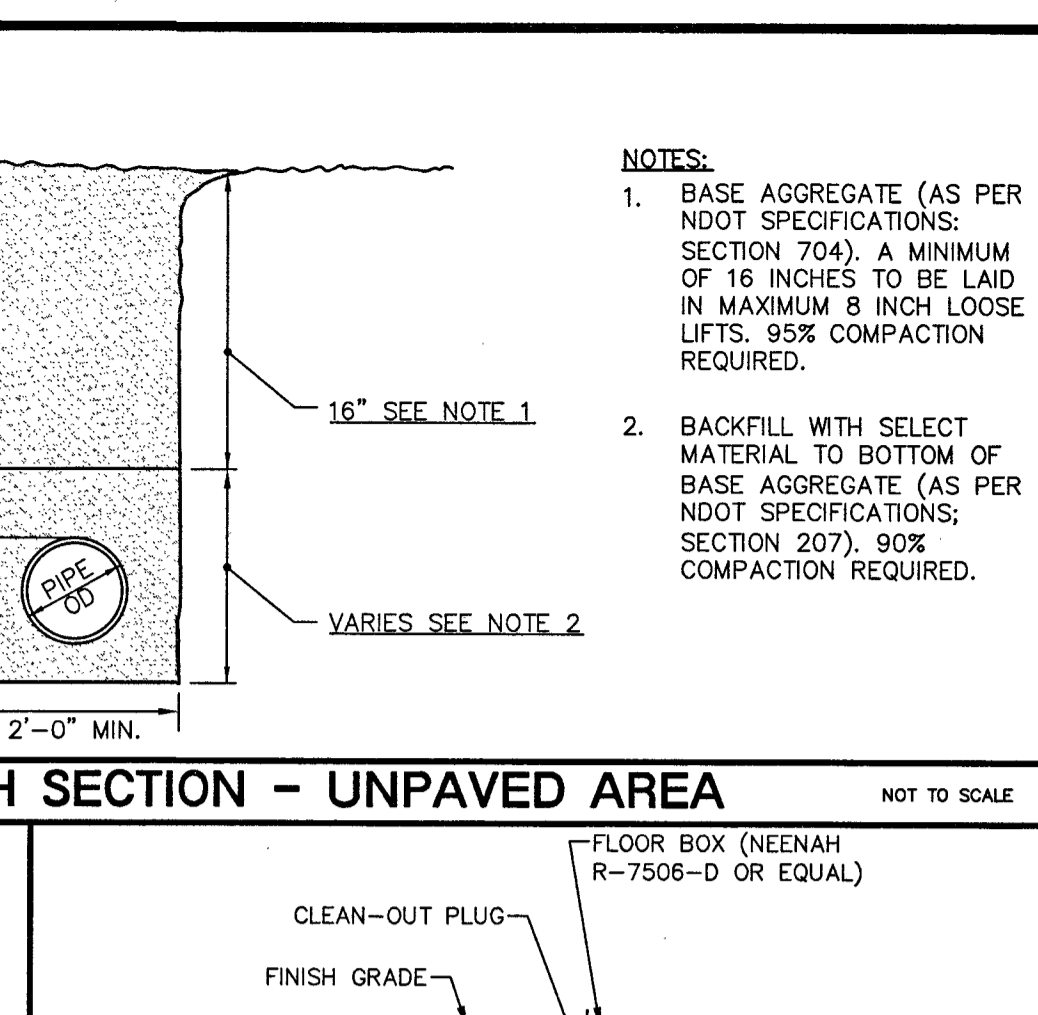
7 TERMINAL END CLEAN OUT NOT TO SCALE



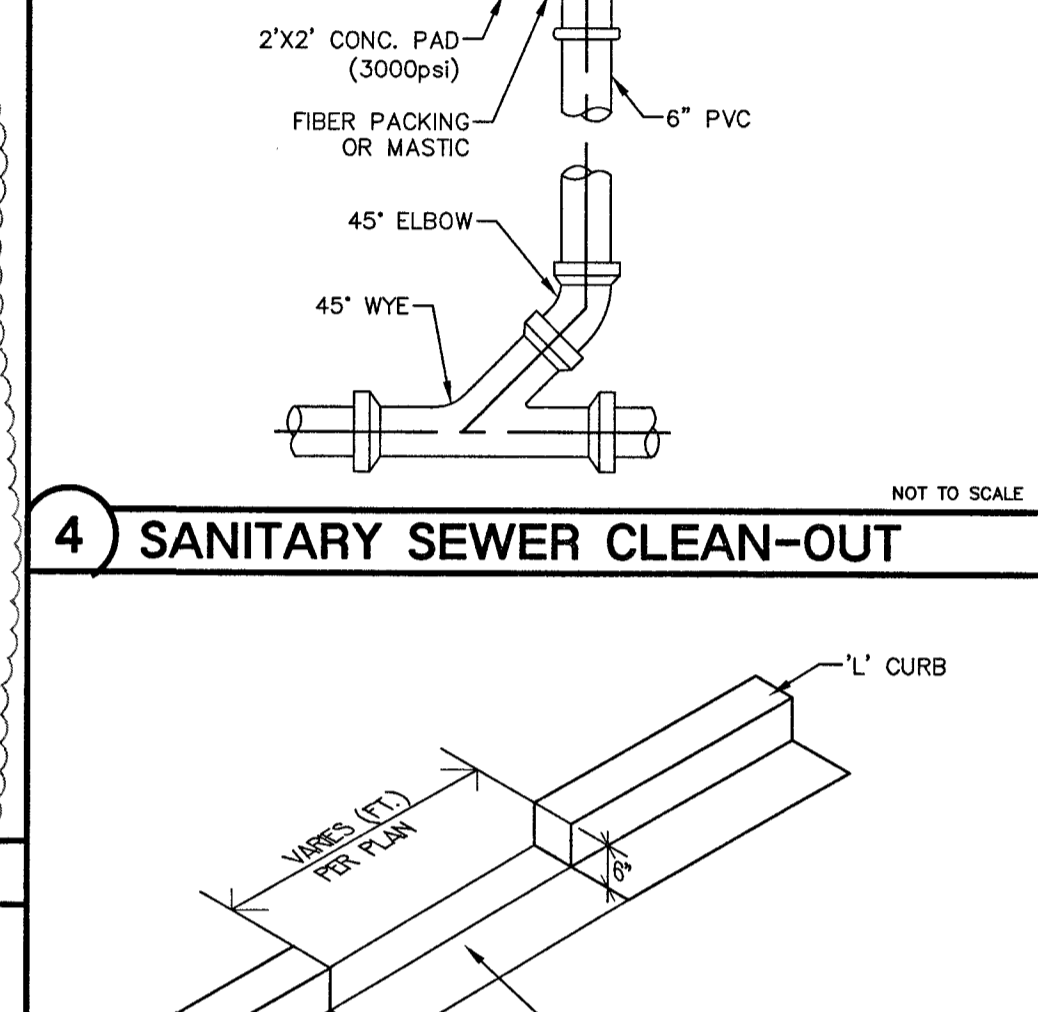
6 PAVEMENT STRIPING NOT TO SCALE



13 NDOT TRENCH SECTION - UNPAVED AREA NOT TO SCALE



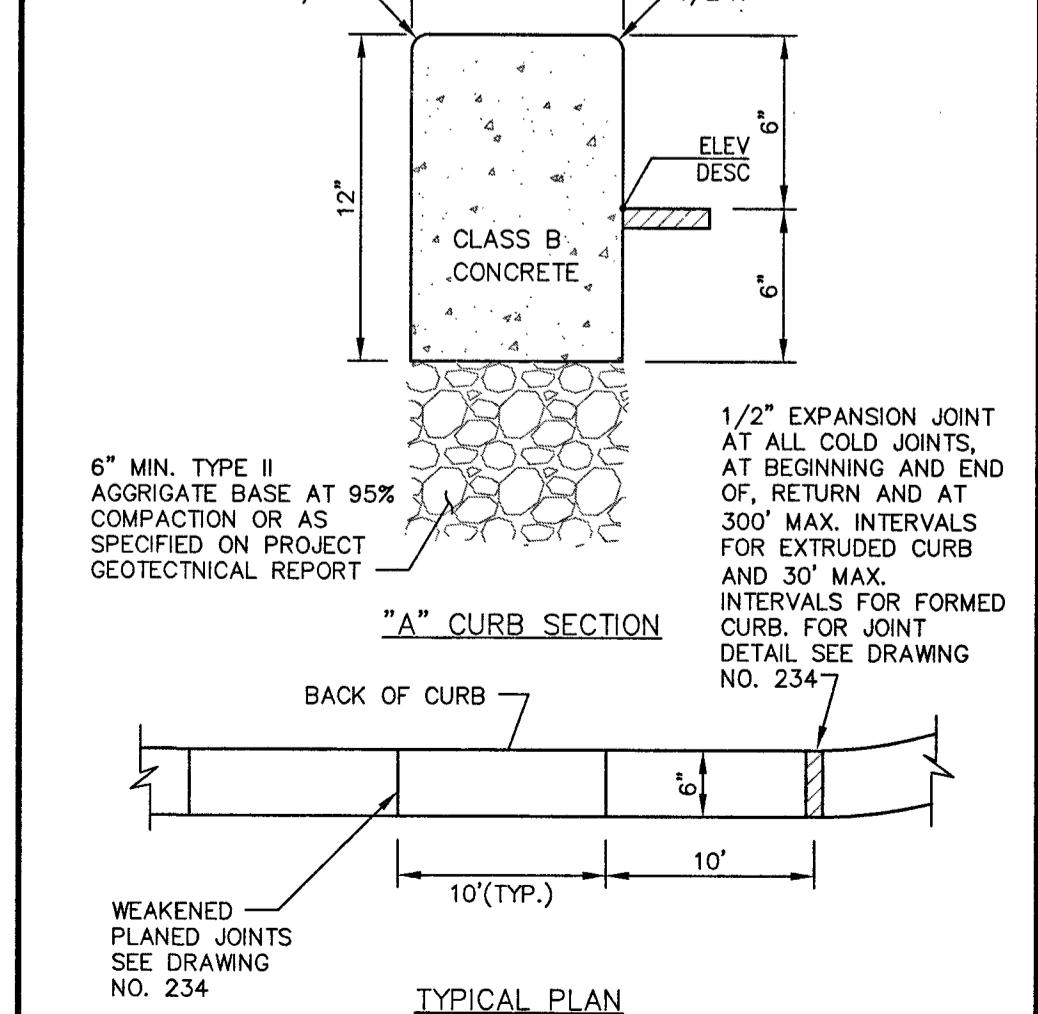
4 SANITARY SEWER CLEAN-OUT NOT TO SCALE



3 CURB OPENING NOT TO SCALE



2 ENTRANCE WARNING SIGN NOT TO SCALE



1 ON-SITE 'A' CURB DETAIL NOT TO SCALE

SECTIONS AND DETAILS SHEETS SHEET 1 OF 1

MURPHY EXPRESS
CRAIG RD. AND JONES BLVD.
CITY OF LAS VEGAS, NEVADA

Lochsa
engineering

6048 South Jones Blvd.
Suite 100
Las Vegas, NV 89118
Tel: (702) 365-9317
Fax: (702) 365-9317
www.lochsa.com

MURPHY OIL & GAS, INC.
4022 NORTH WASHINGTON
TEL. DORADO, AR 72730

PROJECT No.: 151068
DATE: 04/07/16
SCALE: N/A
DRAWN BY: LAS
DESIGNED BY: LAS
CHECKED BY: GMM

GUY M. MORRIS
EXP. 12-31-17
CIVIL
No. 14526
6-15-17

SHEET No. C-5.0
SHEET 8 OF 8
CLV No. 107V6740 H#63369