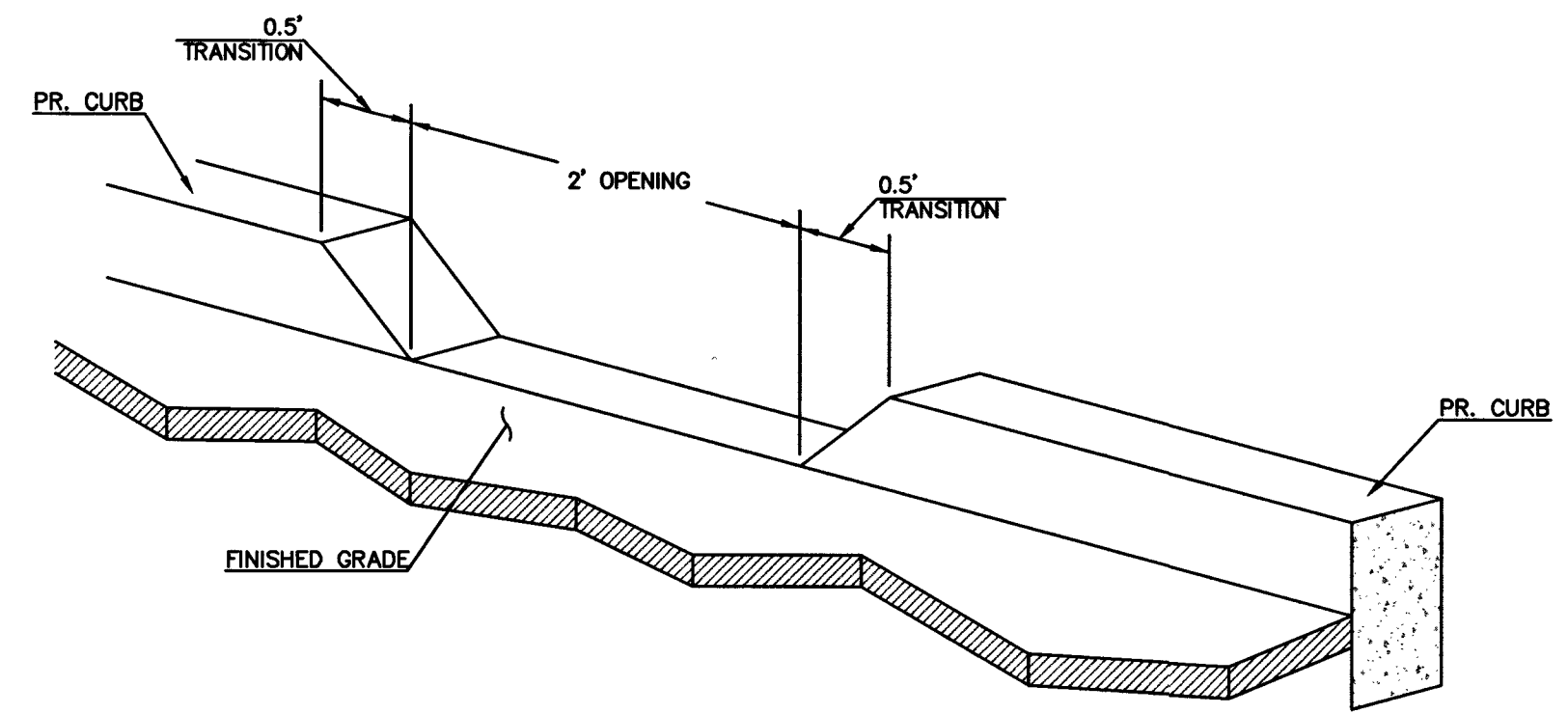
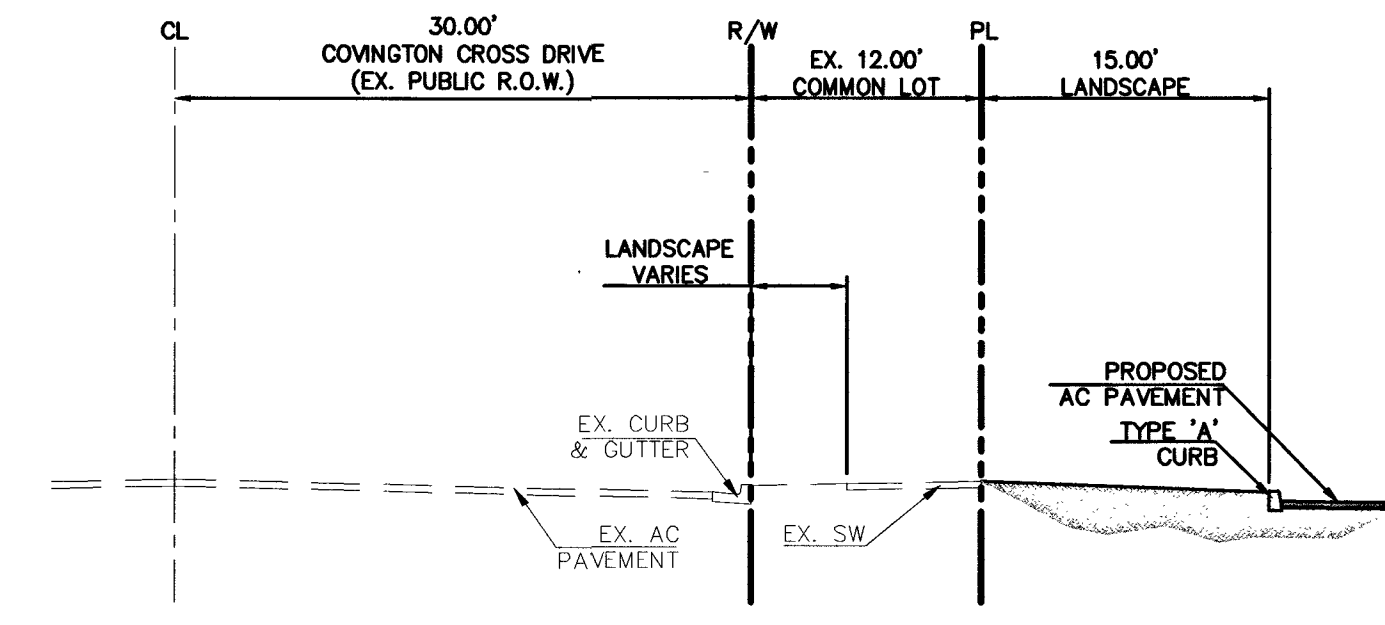


NOTES:
1. CONTINUOUS #4 REBAR IN RADIUS OF CURB ONLY.

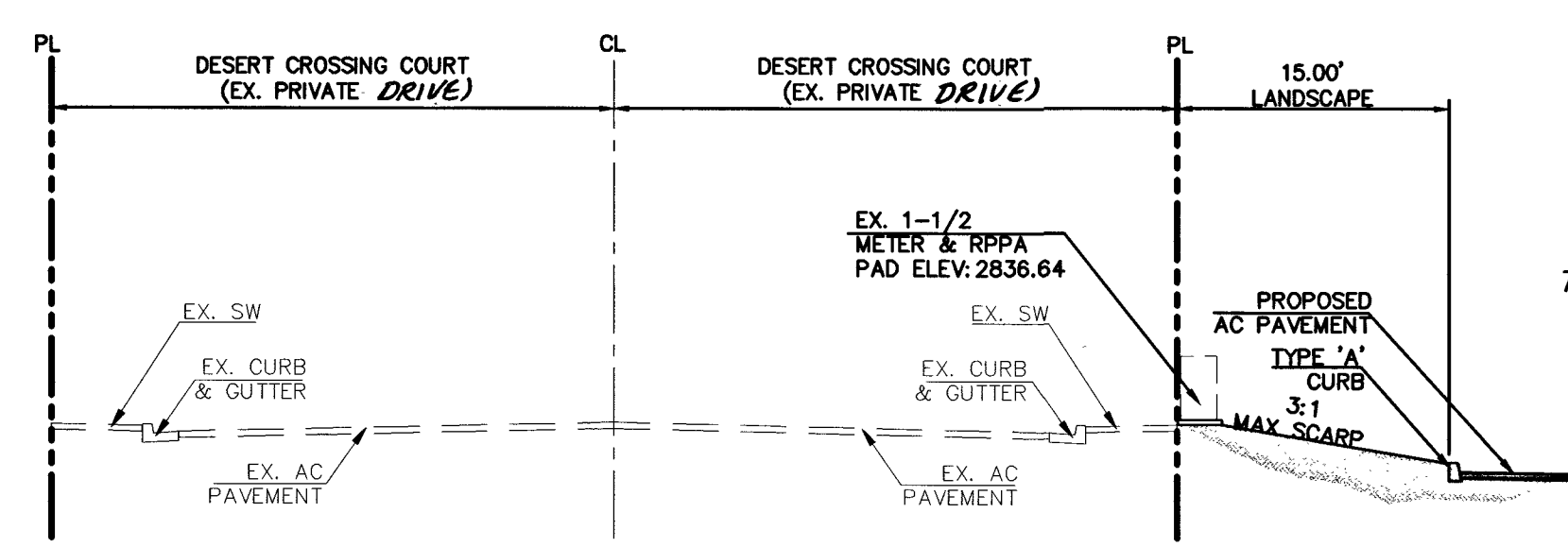
A TYPE 'A' CURB (ONSITE)
C8.01 NTS



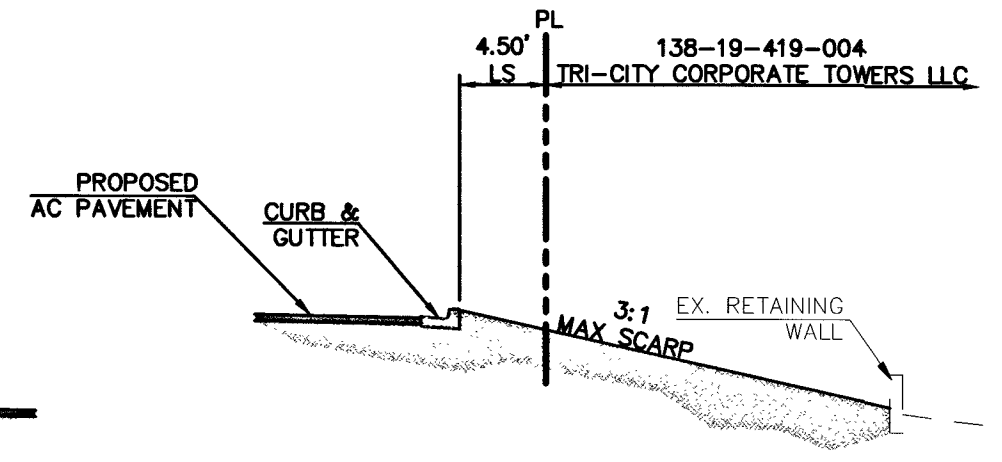
B 2' CURB OPENING
C8.01 NTS



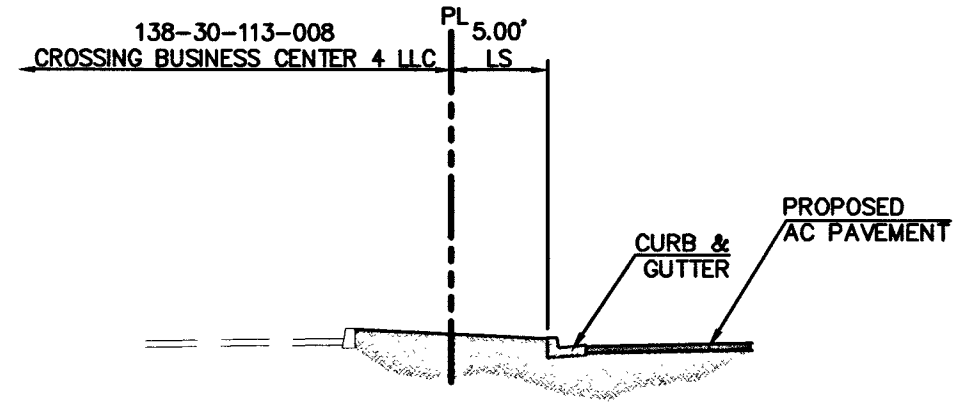
C SECTION
C8.01 NTS



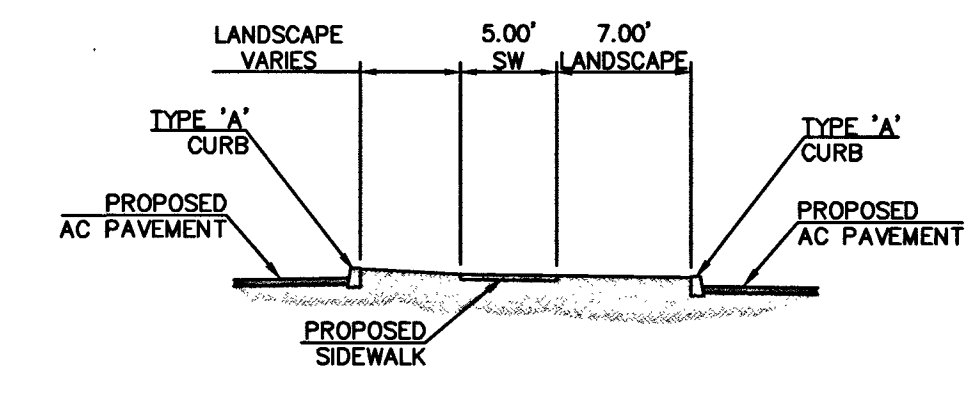
D SECTION
C8.01 NTS



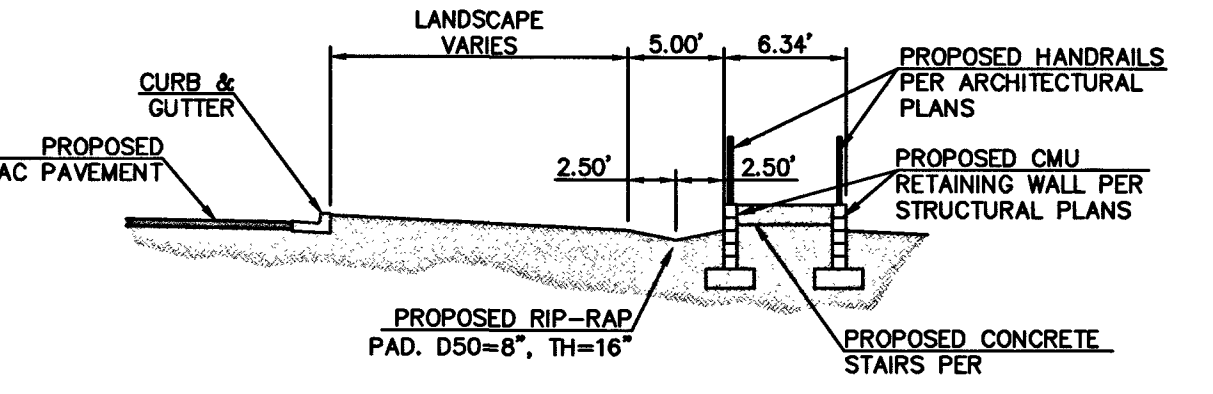
E SECTION
C8.01 NTS



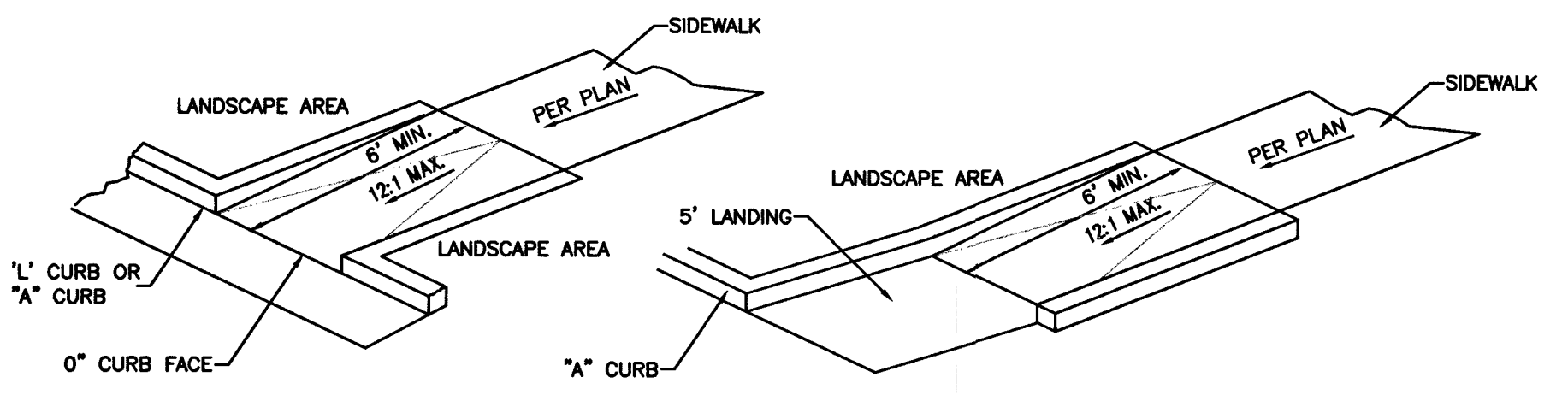
F SECTION
C8.01 NTS



G SECTION
C8.01 NTS



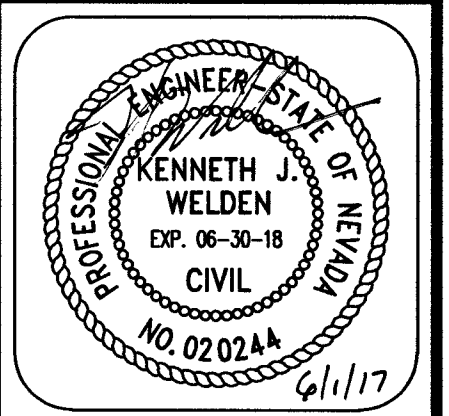
H SECTION
C8.01 NTS



J HANDICAP RAMPS
C8.01 NTS

APPROVED FOR CONSTRUCTION
[Signature]
 LAS VEGAS VALLEY WATER DISTRICT ENGINEERING SERVICES MANAGER
 DATE: 6/17/17 PROJECT NO: 125602
 LWWD APPROVED FIRE FLOW 1,500 GPM AT 20 PSI RESIDUAL

COLLINS ENGINEERS
 3130 S. DURANGO DR., SUITE 404
 LAS VEGAS, NV 89117
 PHONE: (702) 248-8000
 FAX: (702) 248-8070
 WWW.COLLINSENGR.COM



WILLIAMS SONOMA PARKING LOT
 APN: 138-30-113-026

DETAIL SHEET
 NORTHEAST CORNER OF DESERT CROSSING COURT &
 COVINGTON CROSS DRIVE

NO.	DATE	DESIGN BY	DESCRIPTION

CEI PROJECT:	21-10069
DESIGN BY:	BJB
DRAWN BY:	BJB
CHECKED BY:	KJW
DATE:	3/9/17
SCALE:	N.T.S.
SHEET NUMBER	C8.01
SHEET 6 OF 6	
HW70672	

107V6918

PROJ #125602 QS 138-30-NW