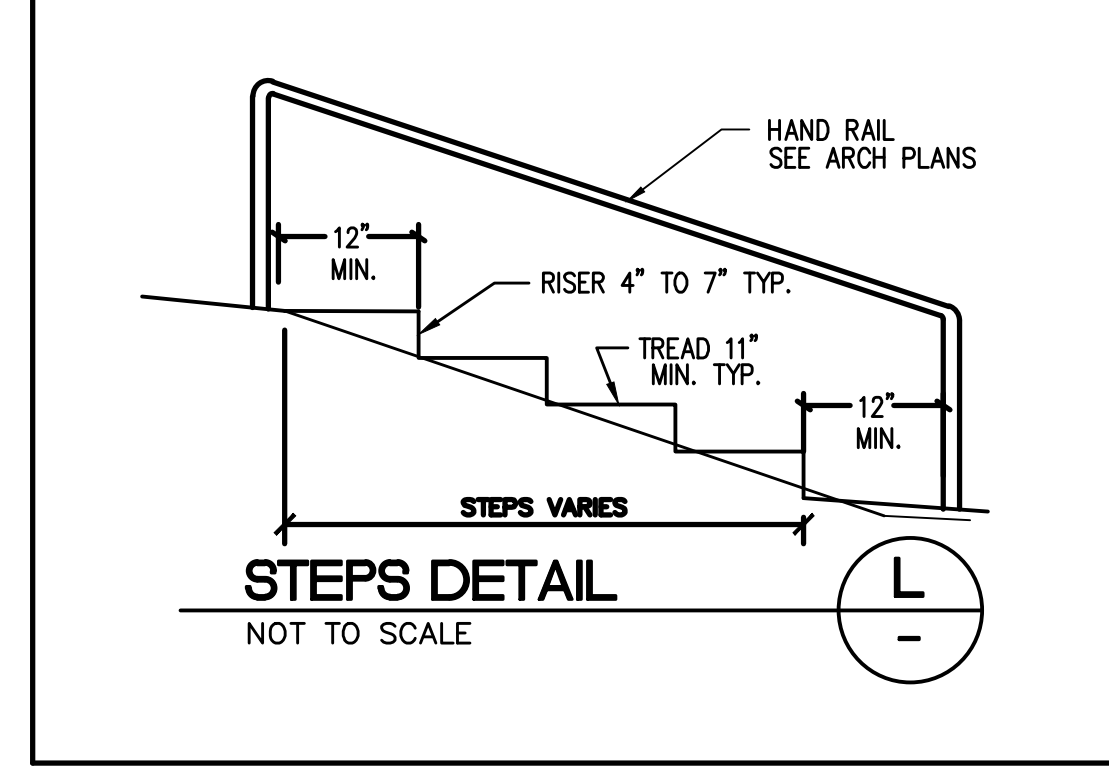
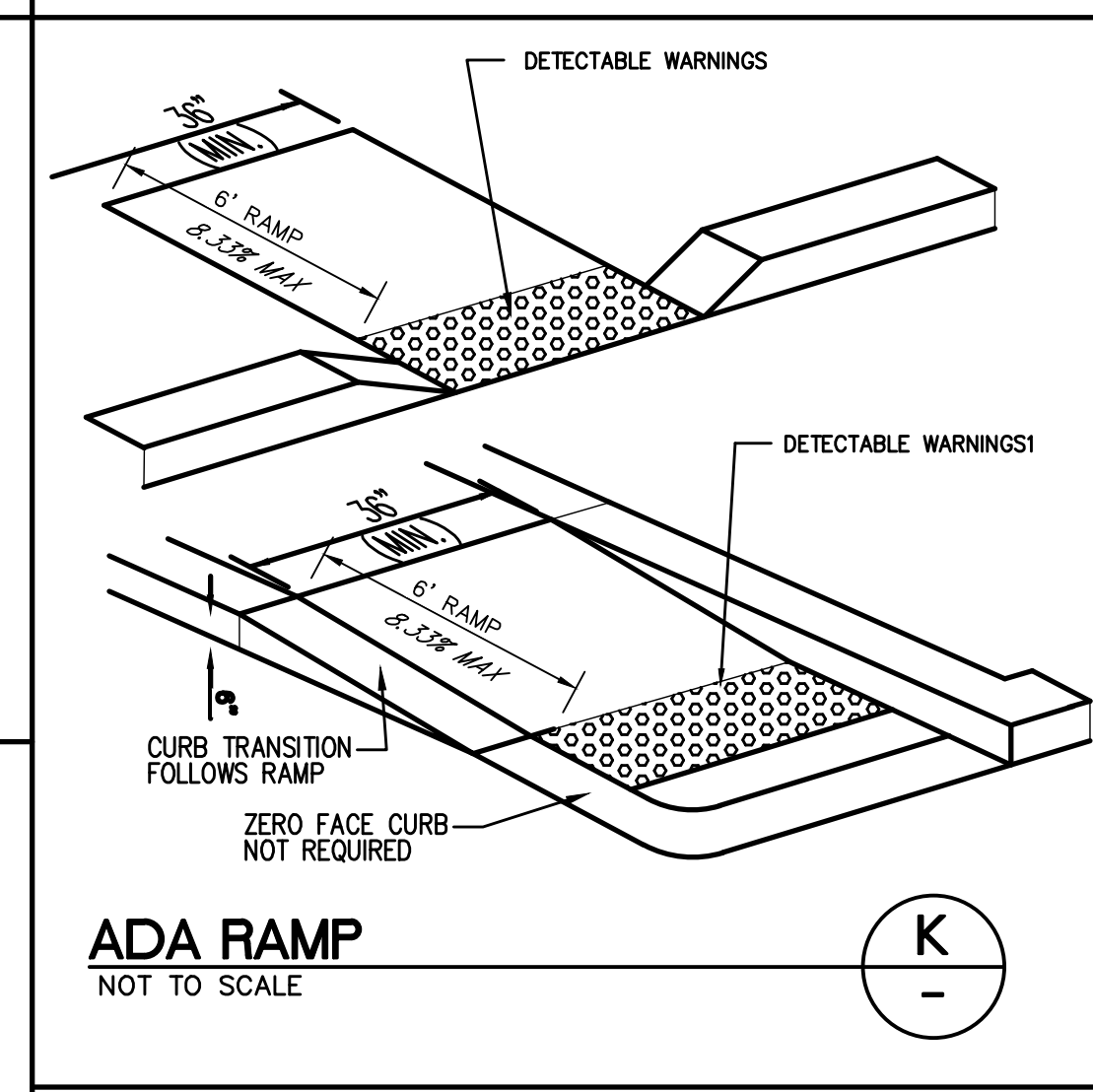
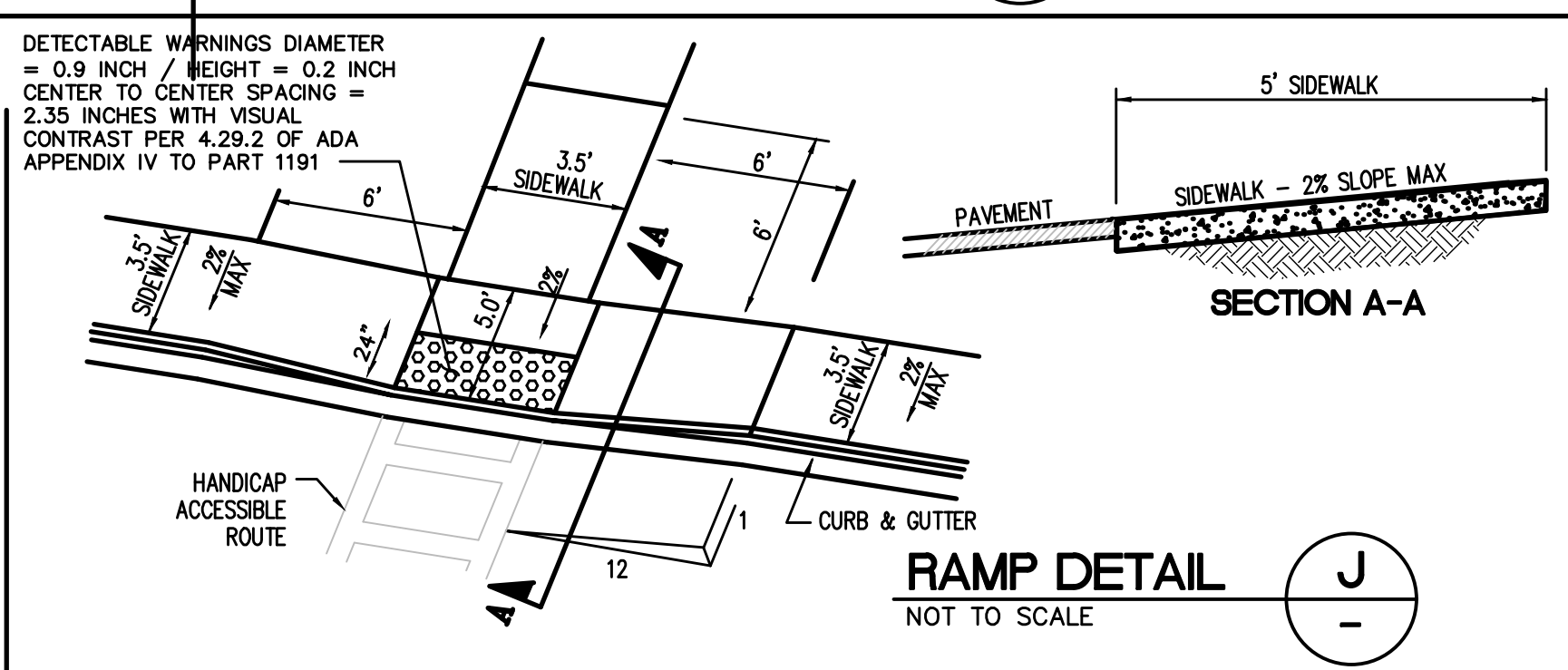
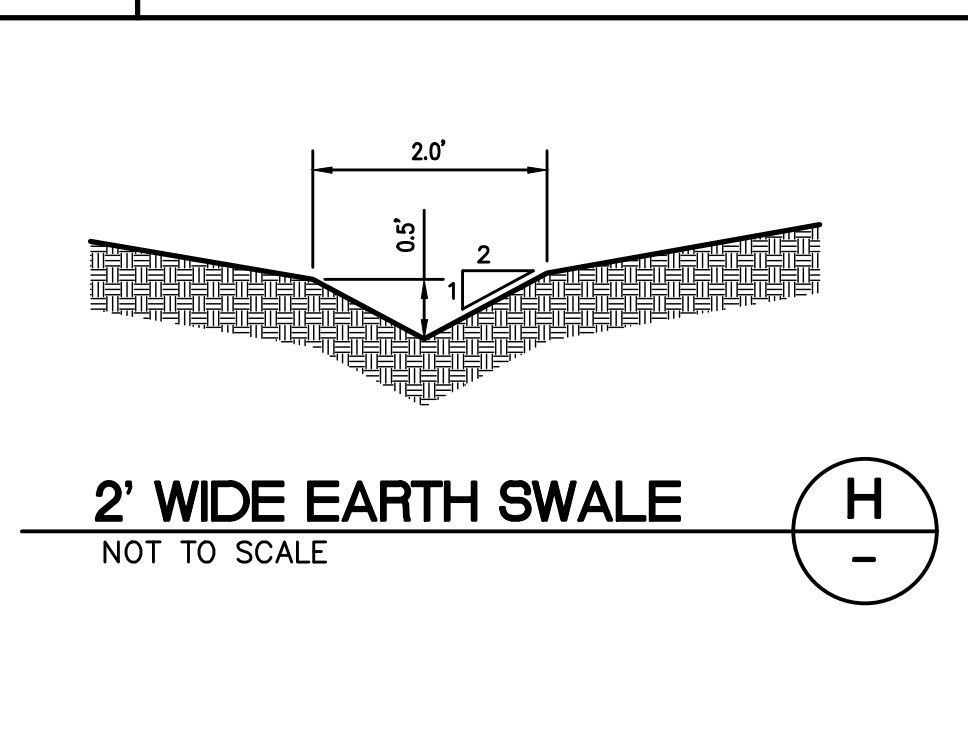
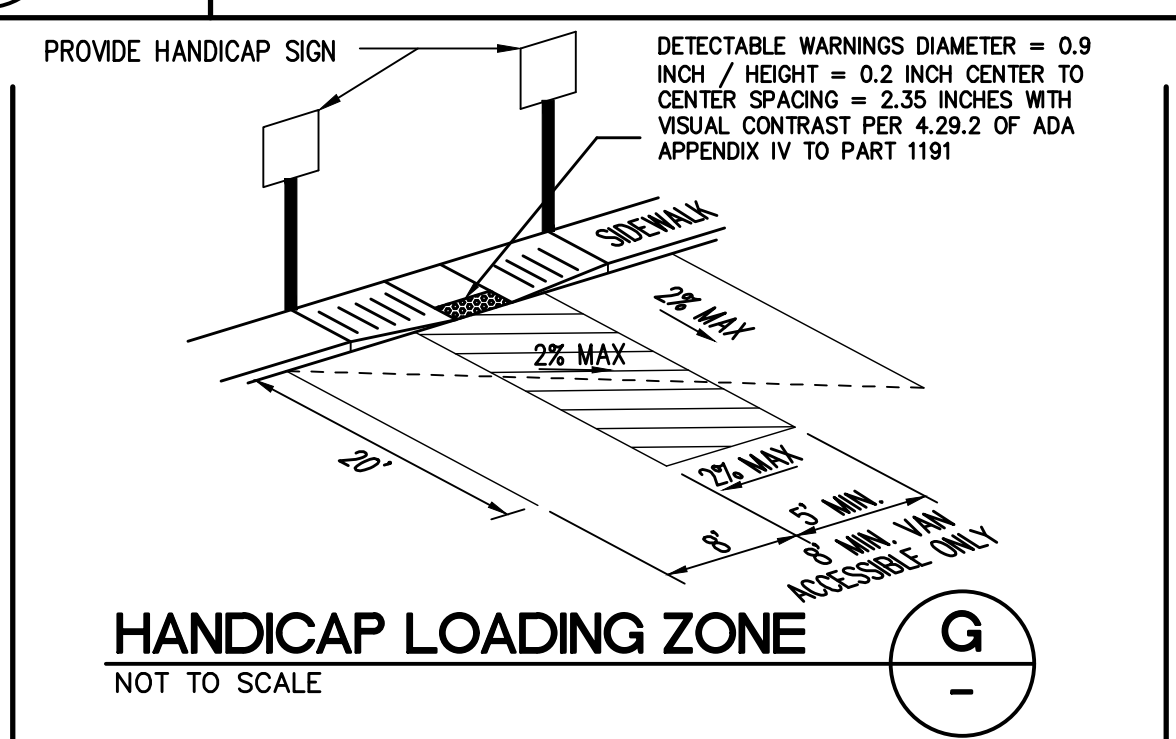
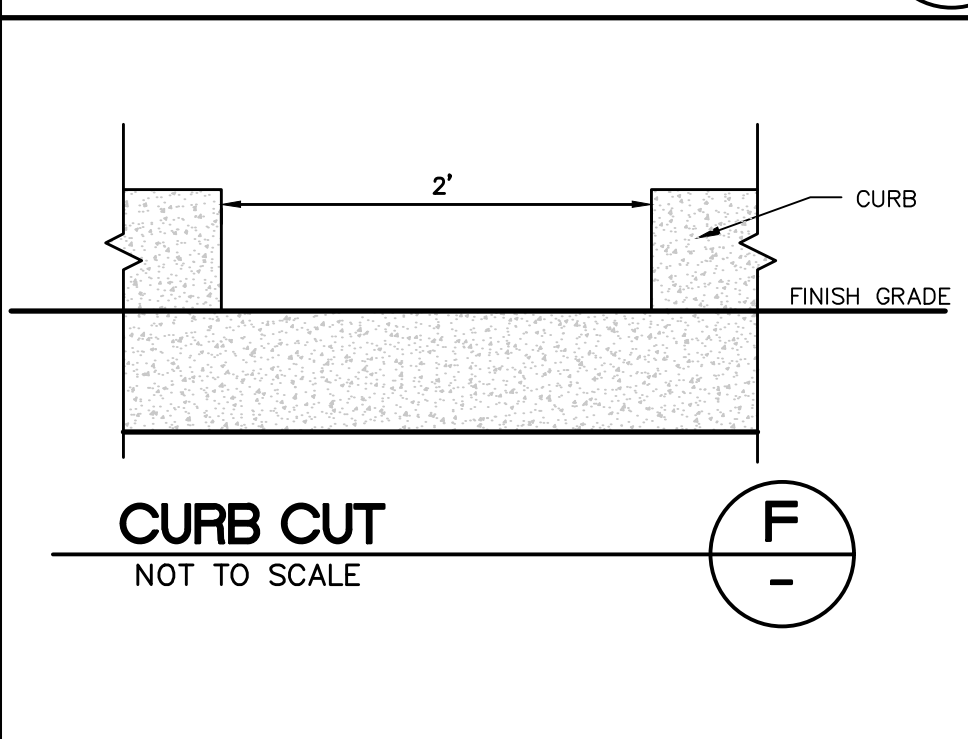
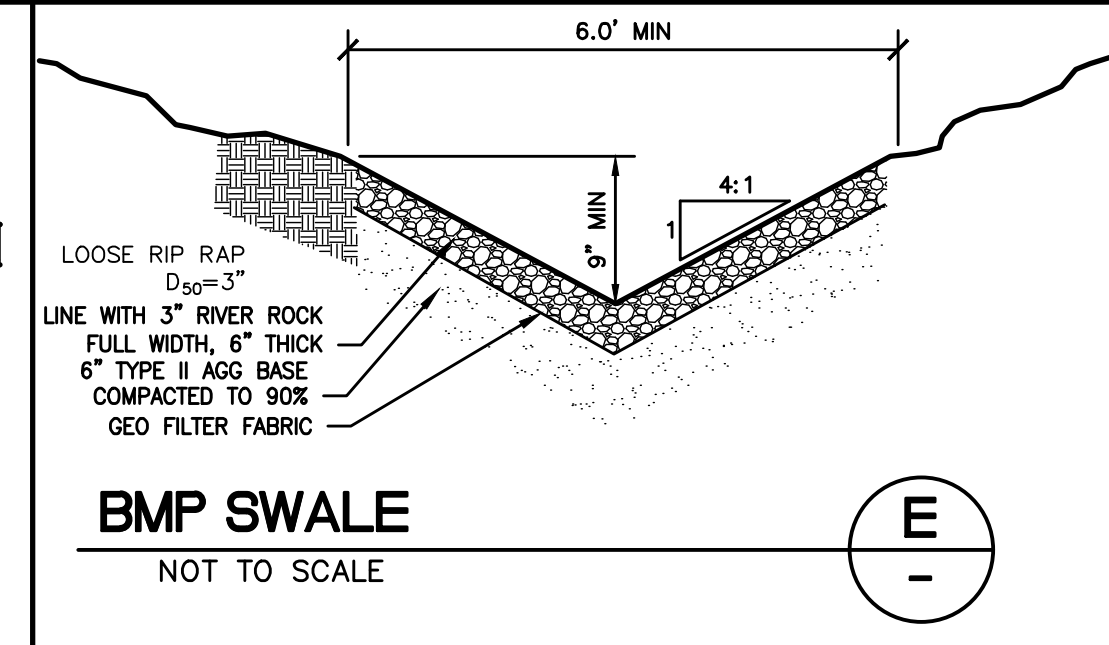
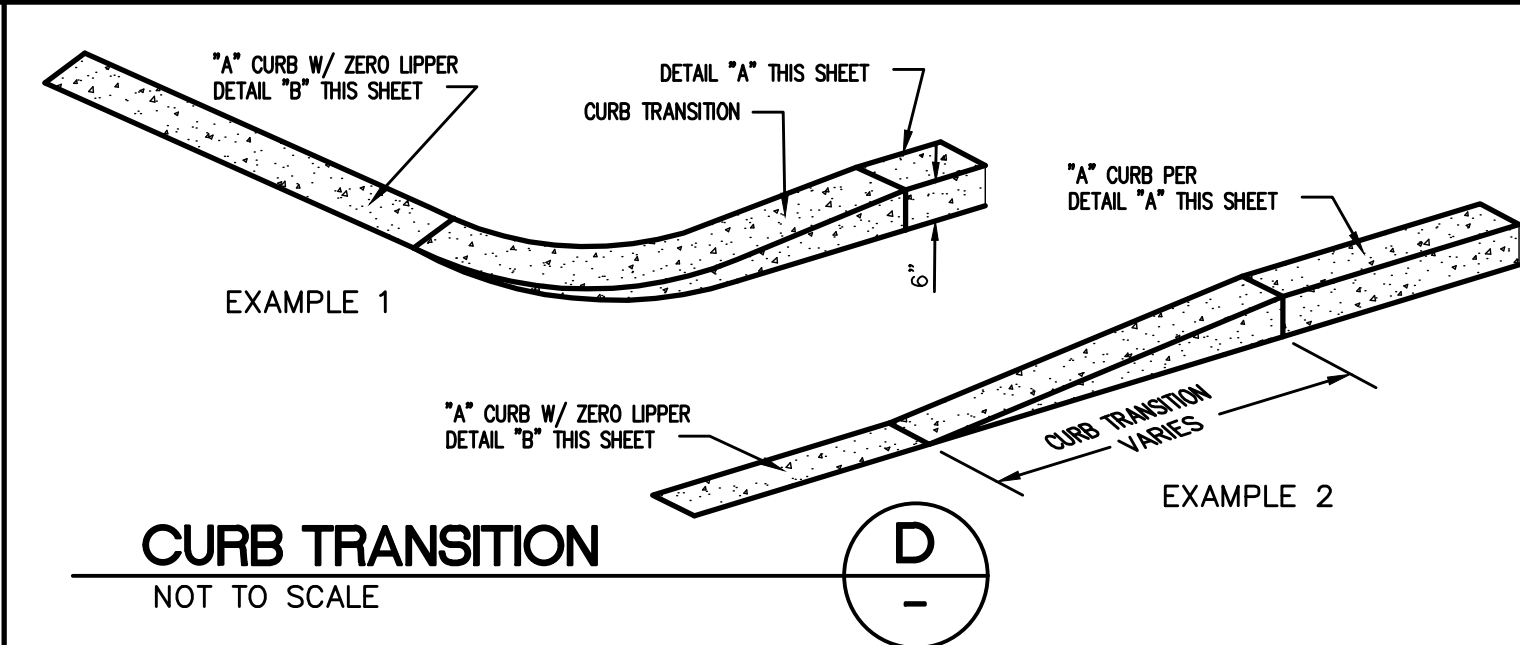
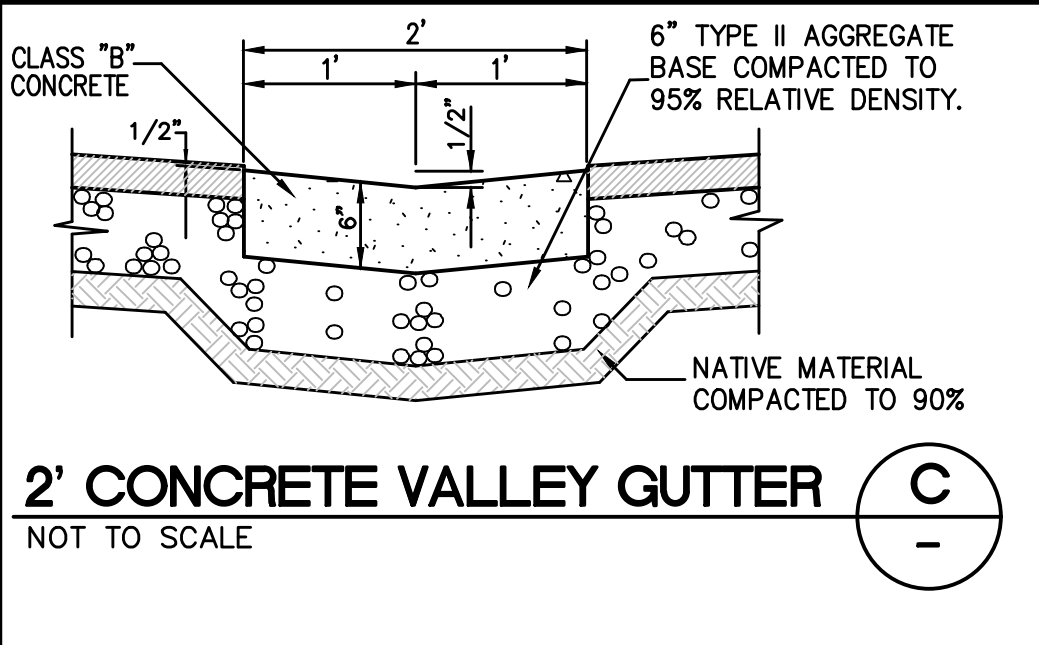
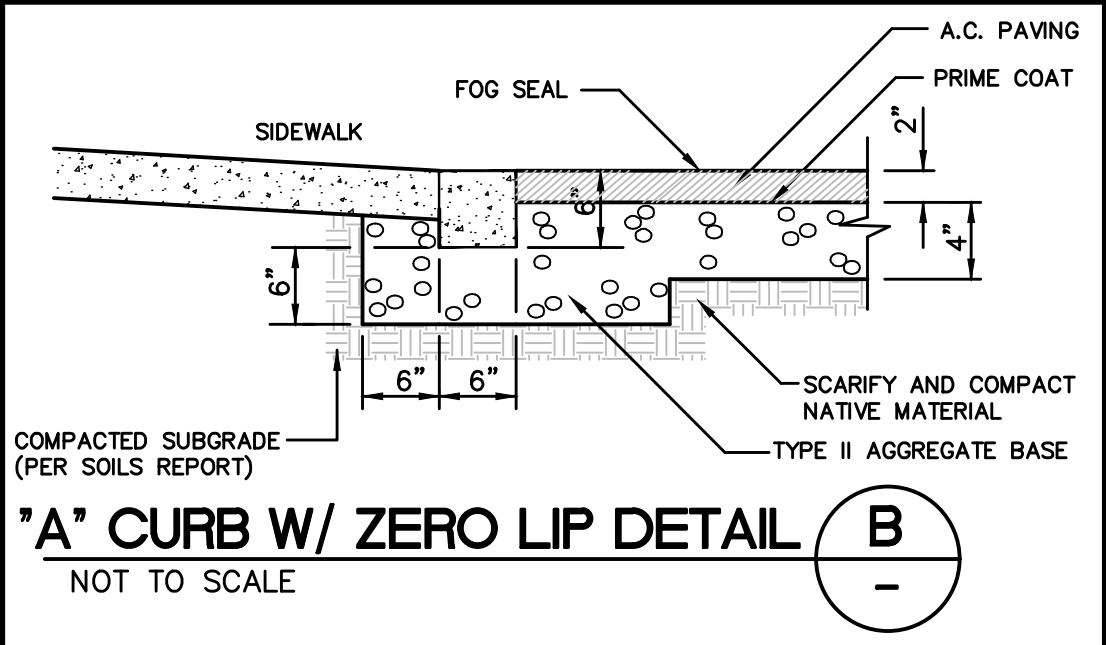
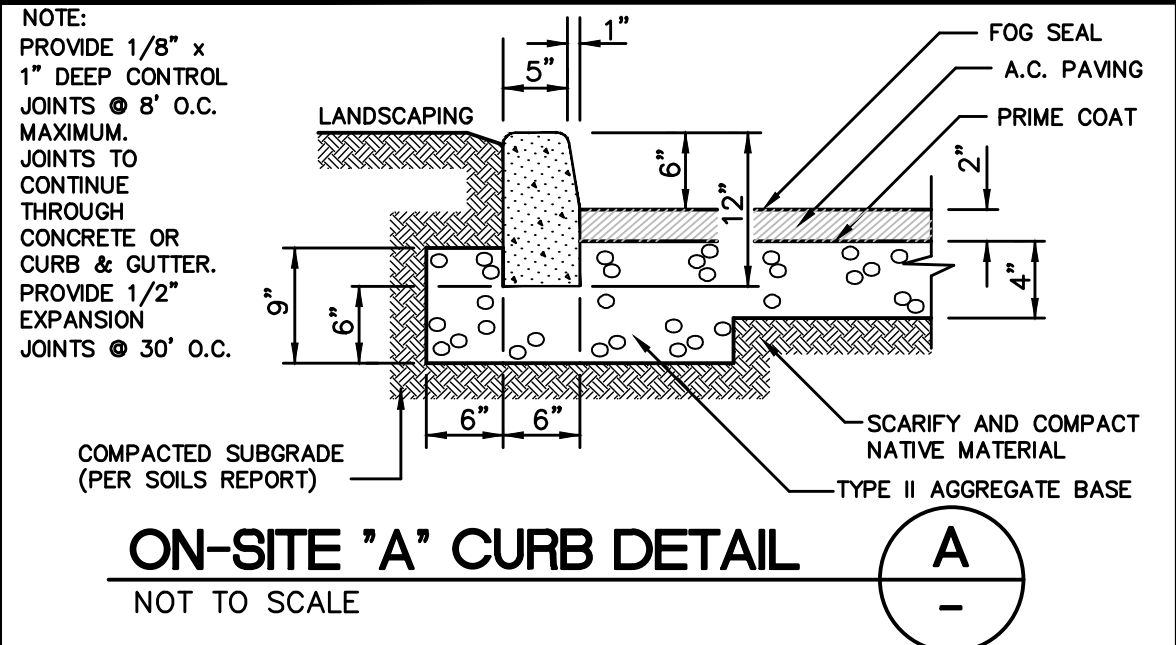


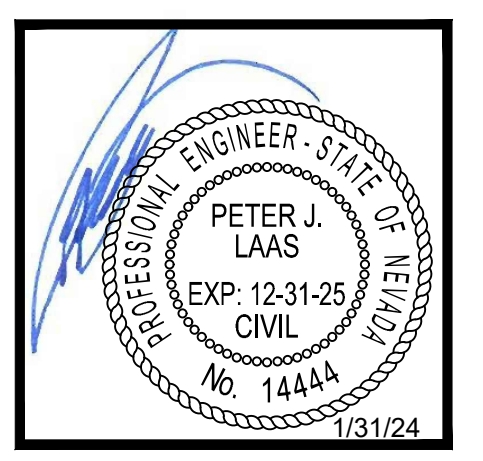
File: P:\Clients\Millers\Golden Apartments\Map PLAN\03-04 SECTION golden.dwg Sheet: 03 DETAIL Date: 3/1/04 10:42:30am



REV	REVISION DESCRIPTION	SHEETS	APP	DATE

**DETAIL SHEET**

**GOLDEN APARTMENT**  
**CITY OF LAS VEGAS, NEVADA**



**CAUTION TO CONTRACTOR !**  
 EXISTING UTILITY LOCATIONS SHOWN HEREON ARE APPROXIMATE ONLY. IT SHALL BE THE CONTRACTOR'S RESPONSIBILITY TO DETERMINE THE EXACT VERTICAL AND HORIZONTAL LOCATION OF ALL EXISTING UNDERGROUND UTILITIES PRIOR TO COMMENCING CONSTRUCTION. NO REPRESENTATION IS MADE THAT ALL EXISTING UTILITIES ARE SHOWN HEREON. THE ENGINEER ASSUMES NO RESPONSIBILITY FOR UTILITIES NOT SHOWN OR UTILITIES NOT SHOWN IN THEIR PROPER LOCATION.



**Impulse**  
 Civil Engineering & Planning

W.O.# :  
 BY :  
 DATE :  
 SCALE :

1 = F • dt  
 CIVIL ENGINEERS - PLANNERS  
 7485 WEST JORDAN PARK SUITE 208  
 LAS VEGAS, NEVADA, 89130  
 PHONE (702) 815-0720  
 FAX (702) 478-8535

SHEET **3** OF **8**

CLV#  
 DWG#L23-