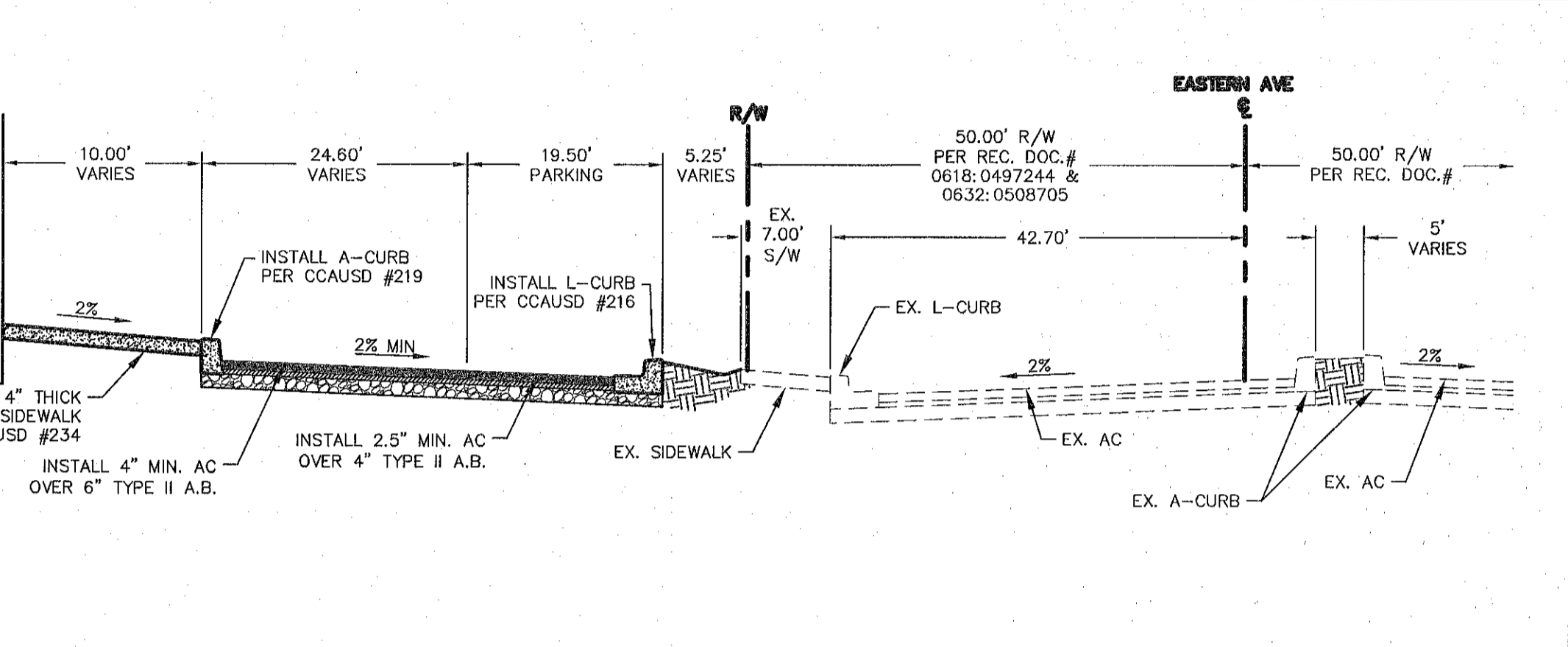
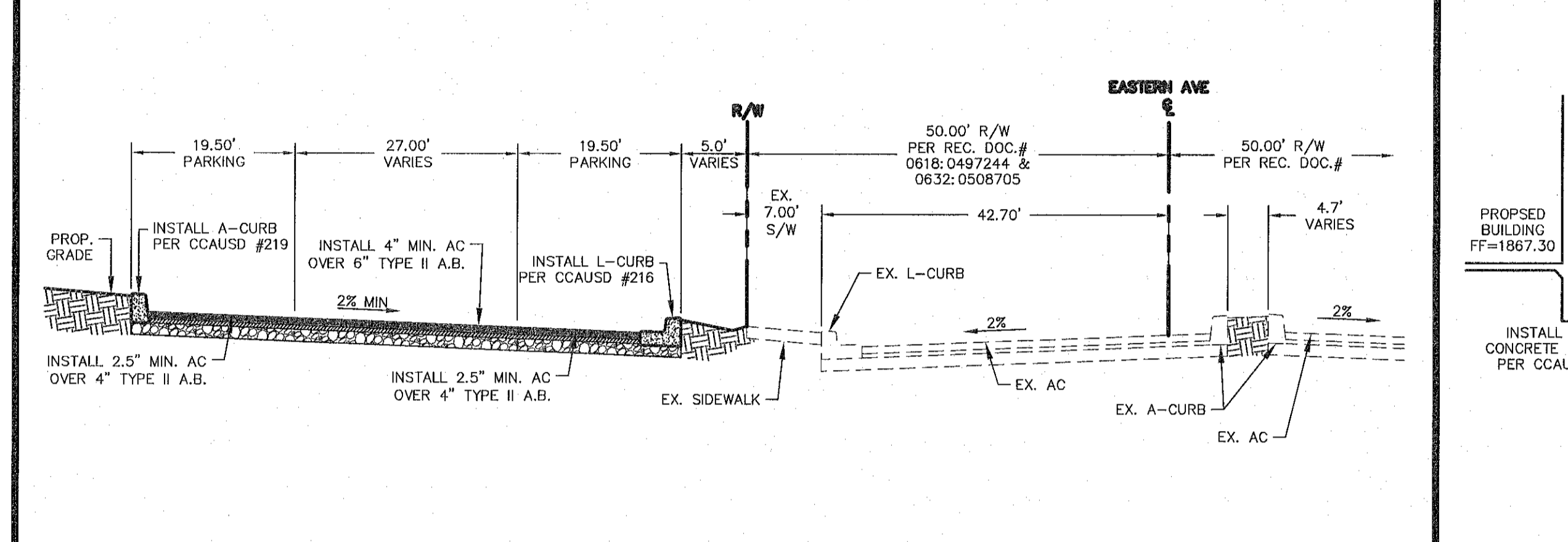
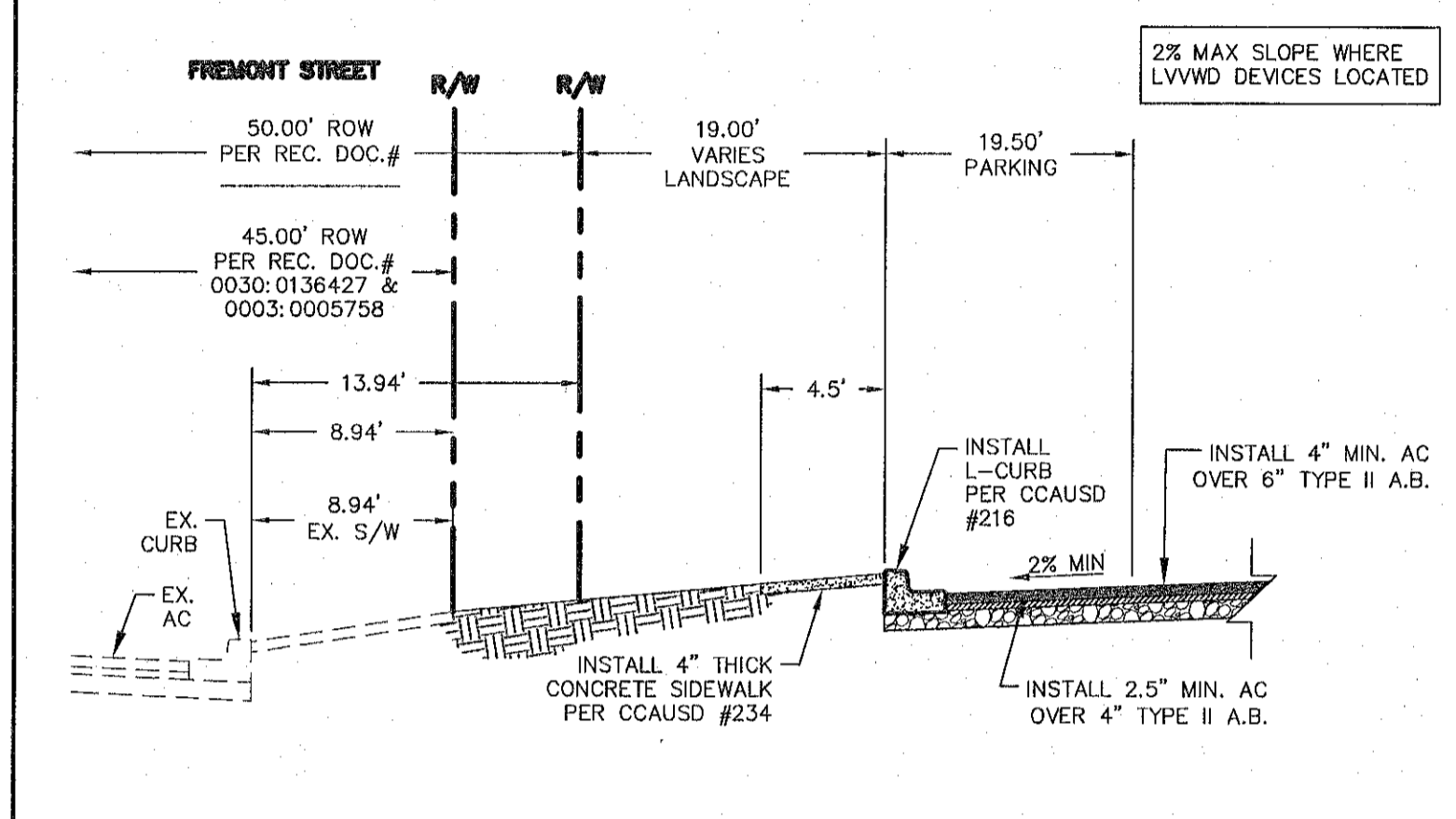


SECTION A N.T.S.

SECTION B N.T.S.

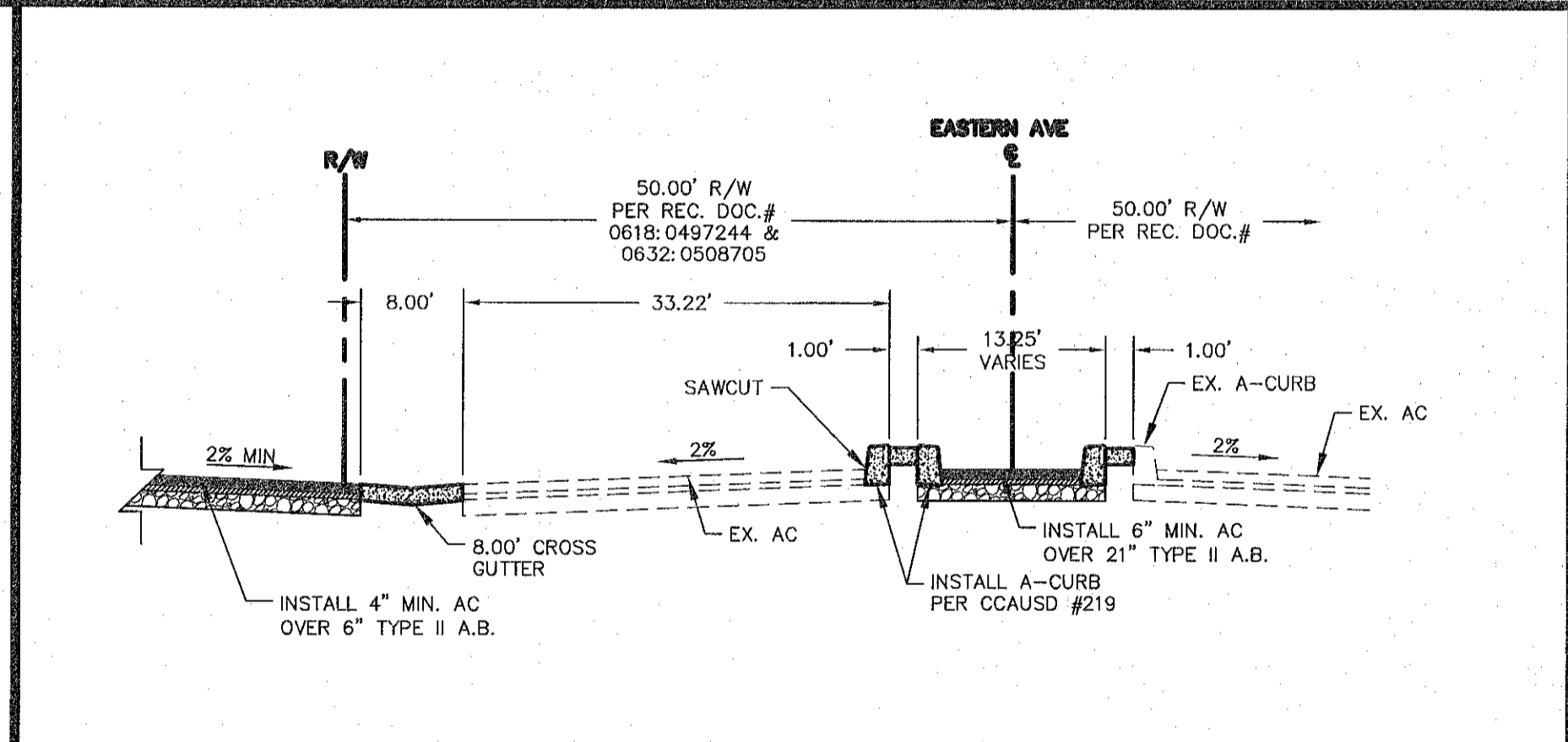
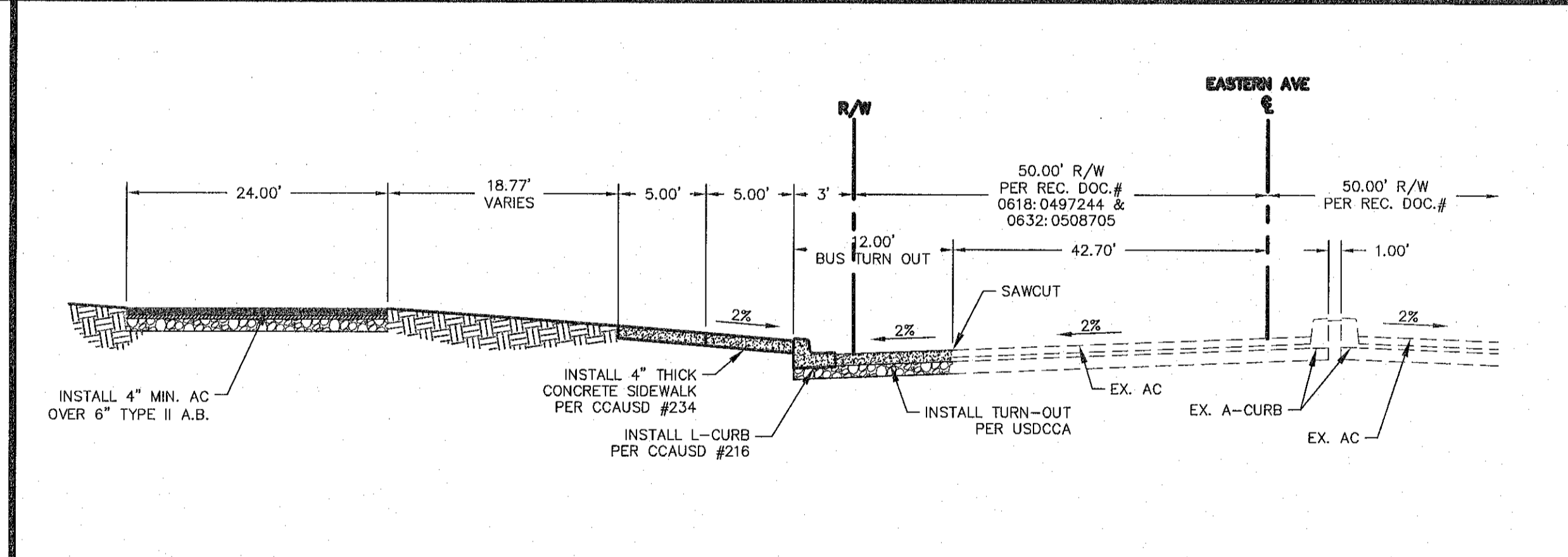
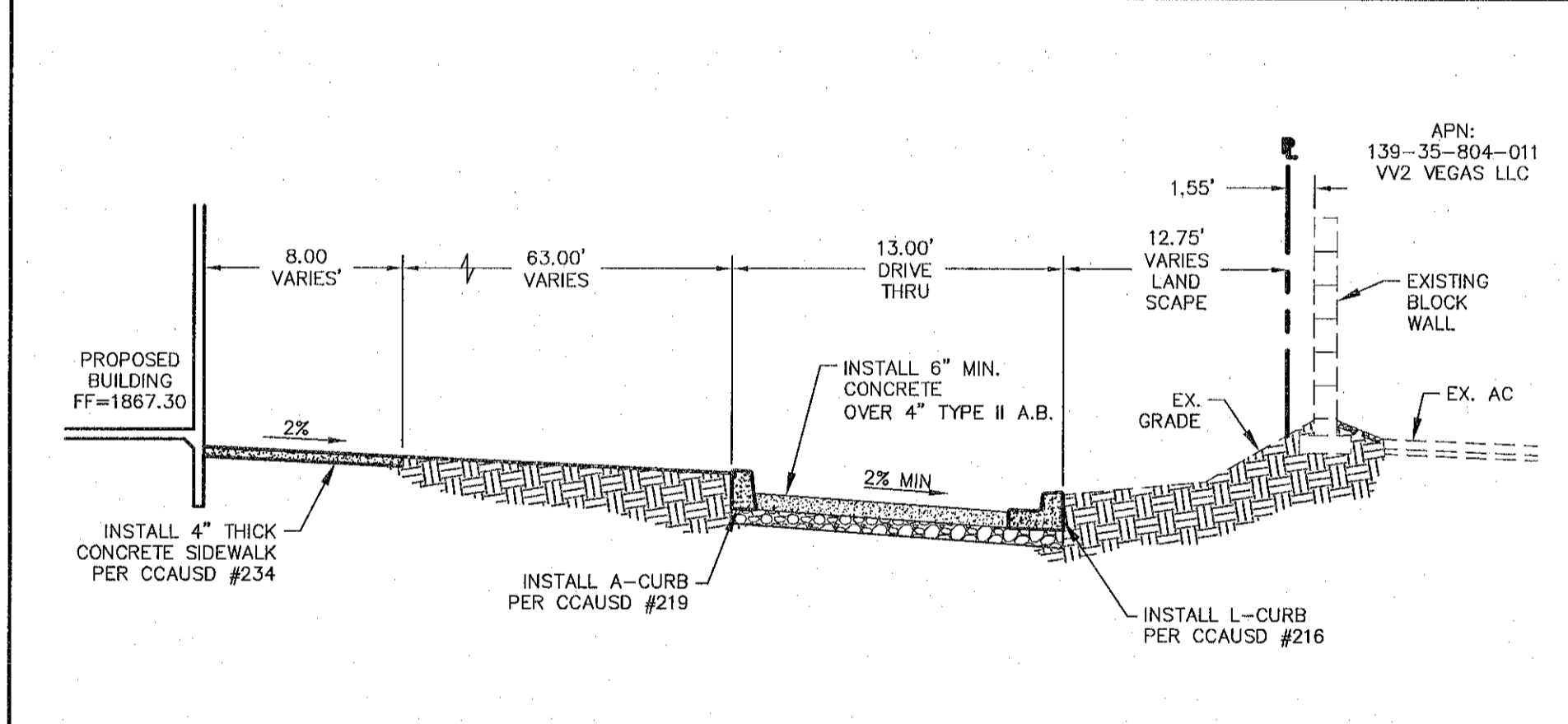
SECTION C N.T.S.



SECTION D N.T.S.

SECTION E N.T.S.

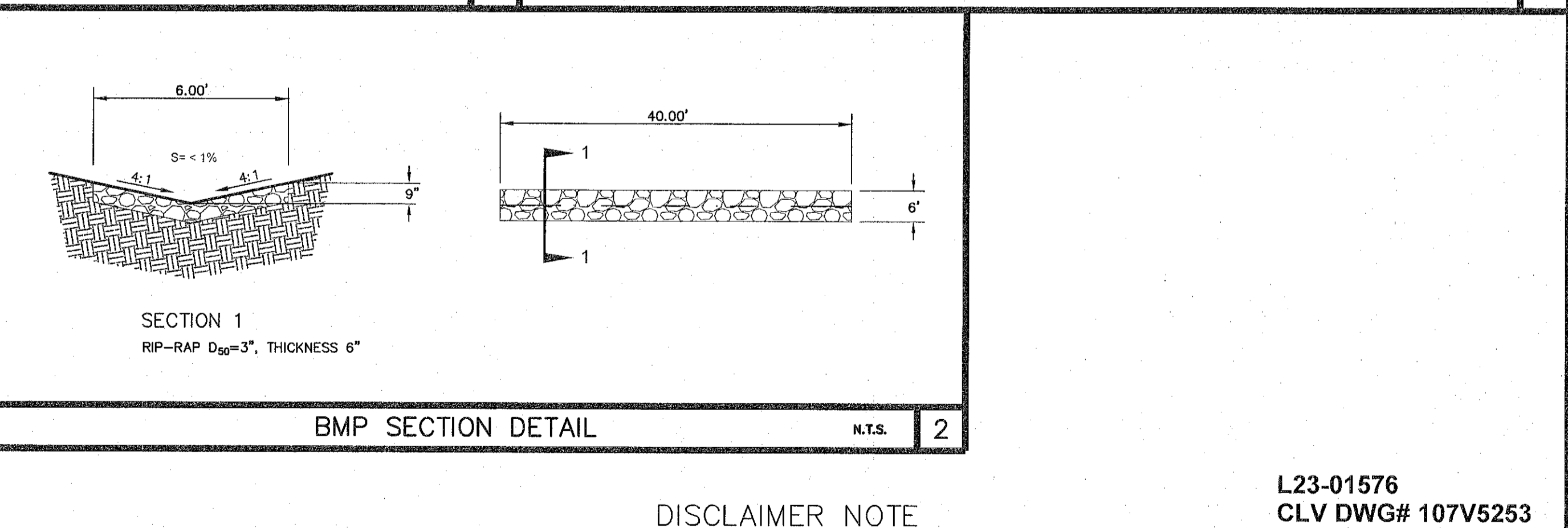
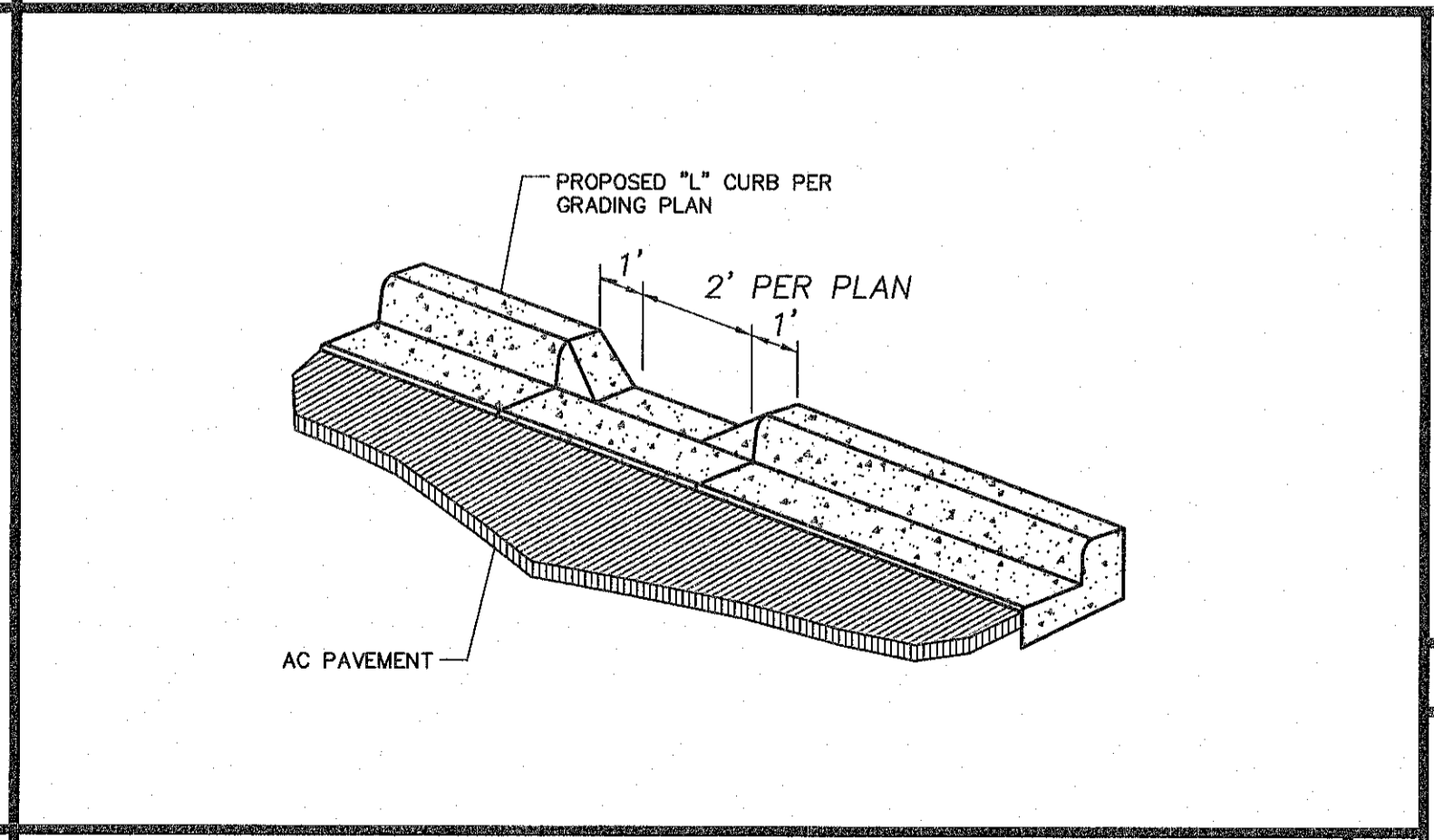
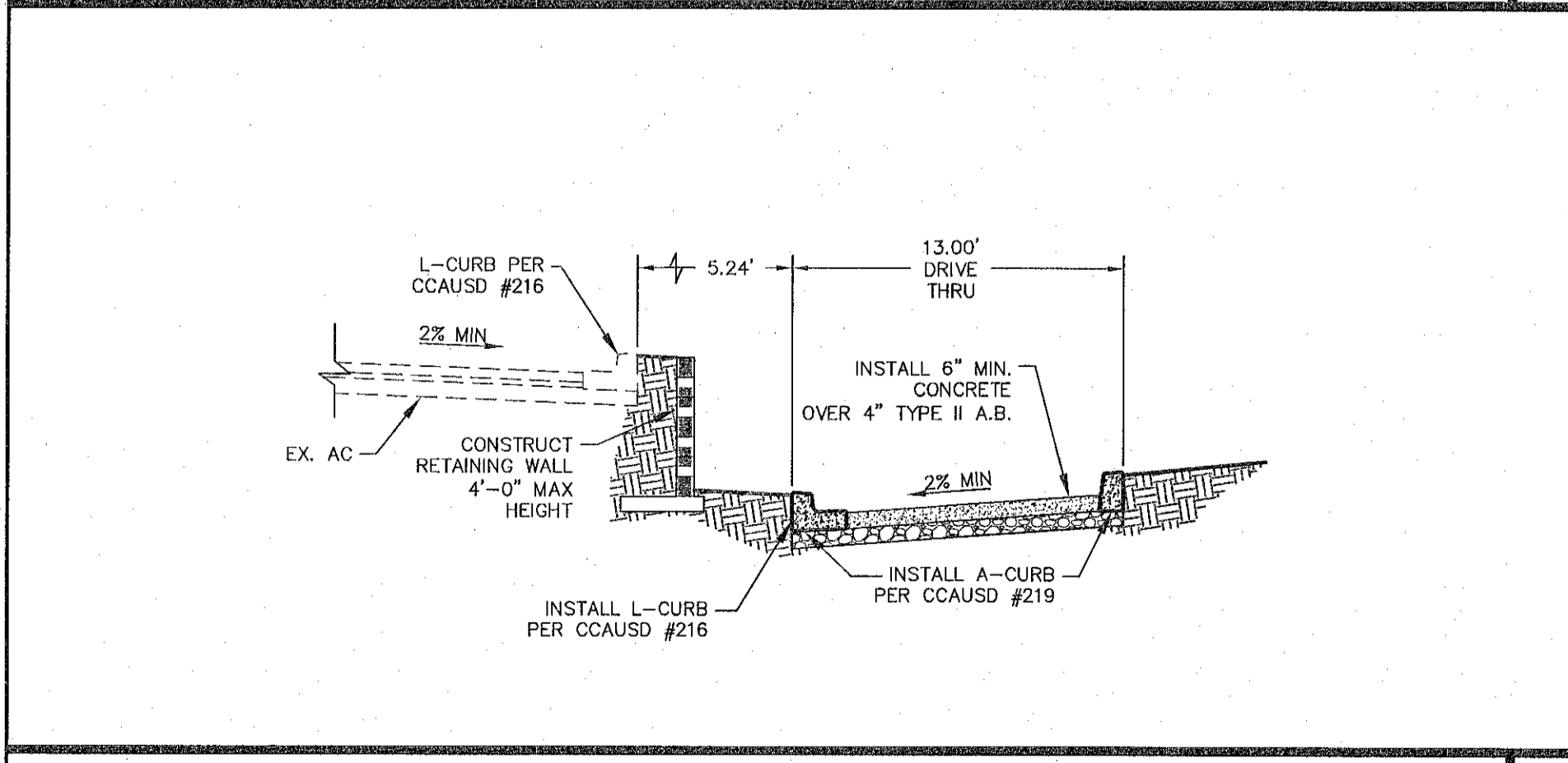
SECTION F N.T.S.



SECTION G N.T.S.

SECTION H N.T.S.

SECTION I N.T.S.



SECTION J N.T.S.

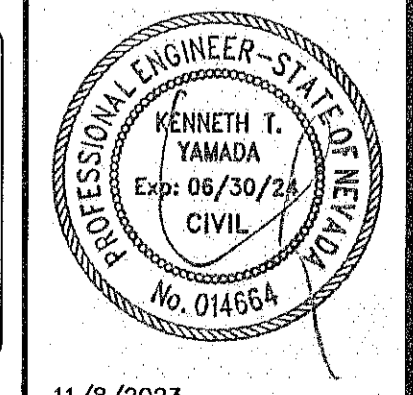
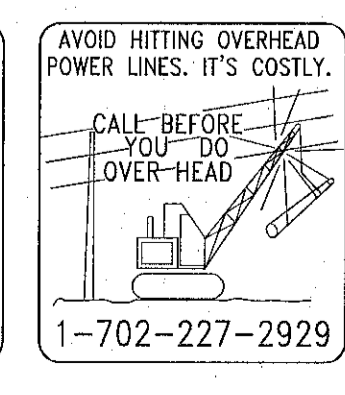
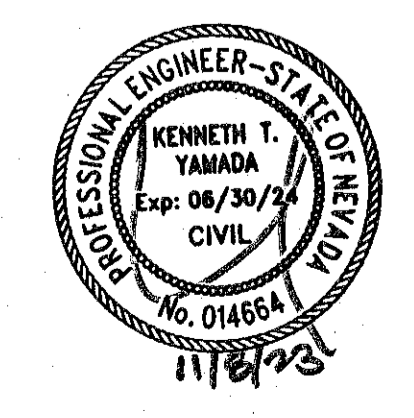
DETAIL 1 N.T.S.

BMP SECTION DETAIL 2 N.T.S.

L23-01576
CLV DWG# 107V5253

DISCLAIMER NOTE

UTILITY LOCATIONS SHOWN HEREON ARE APPROXIMATE ONLY. IT SHALL BE THE CONTRACTOR'S RESPONSIBILITY TO DETERMINE THE EXACT HORIZONTAL AND VERTICAL LOCATION OF ALL EXISTING UNDERGROUND AND OVERHEAD UTILITIES PRIOR TO COMMENCING CONSTRUCTION. NO REPRESENTATION IS MADE THAT ALL EXISTING UTILITIES ARE SHOWN HEREON. THE ENGINEER ASSUMES NO RESPONSIBILITY FOR UTILITIES NOT SHOWN OR UTILITIES NOT SHOWN IN THEIR PROPER LOCATION.



DATE: 11/8/2023
APPROVED: [Signature]
REVISIONS:
DATE: [Blank]
CREATED BY: [Blank]
PREPARED FOR: SIENA HOLDING MANAGEMENT CO. LLC
10855 PARK RUN DR. #100
LAS VEGAS, NV. 89144
(702) 996-5611
DATE: 11/8/2023
KTY
DESIGN: EC
DRAWN: KTY
CHECK: KTY
SCALE:
BAUGHMAN & TURNER, INC.
LAND PLANNERS
LAS VEGAS, NEVADA
89102
LAND SURVEYORS
LAS VEGAS, NEVADA
89102
1210 HINSON STREET
PHONE: (702) 870-8771
FAX: (702) 878-2695
NWC FREMONT & EASTERN
GRADING DETAIL
SECTION 35, TOWNSHIP 20 SOUTH, RANGE 61 EAST, M.D.B. & M.
CITY OF LAS VEGAS
APN 139-35-804-008 THRU 010 & 002
SHEET
C2.3
7 OF 12
PROJ. NO.
5334
11/8/2023