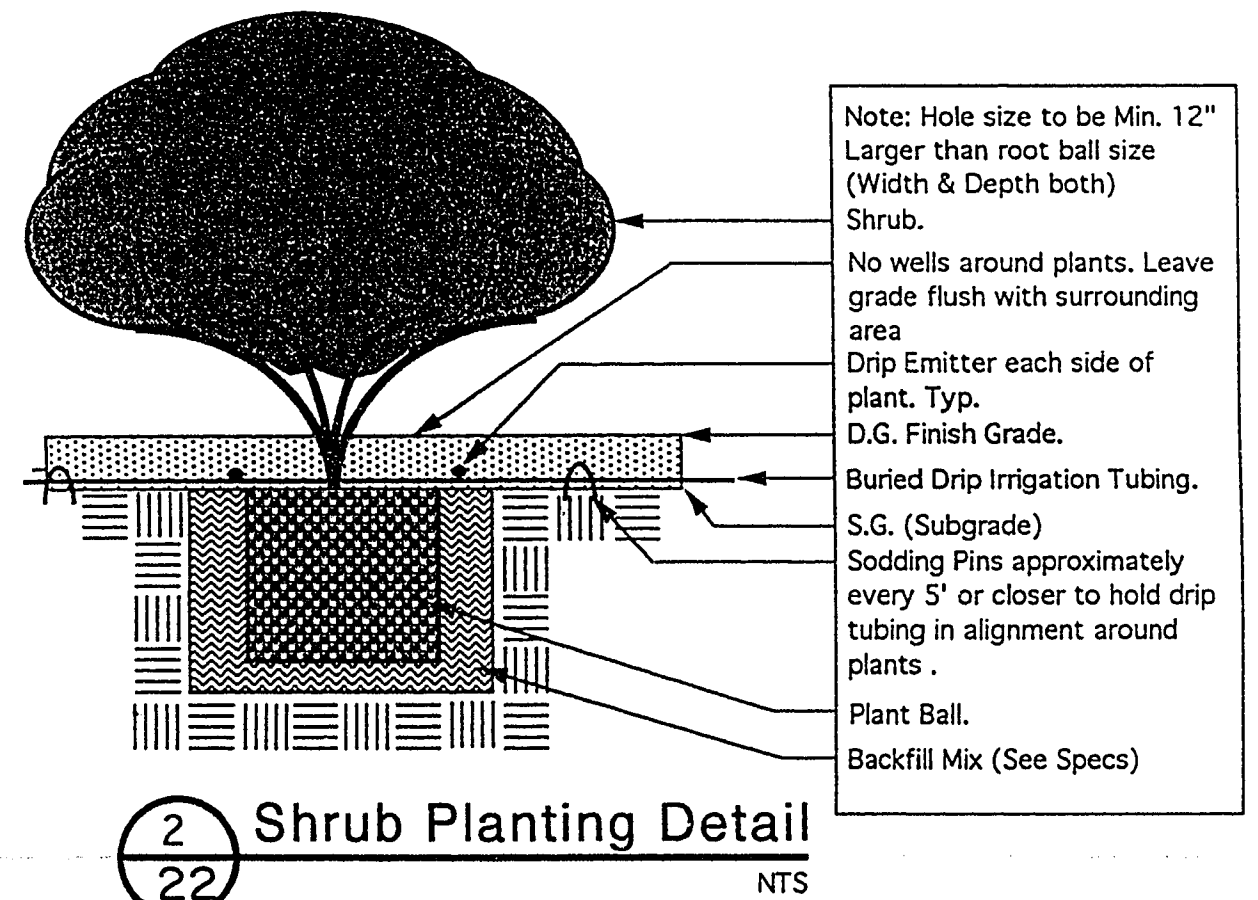
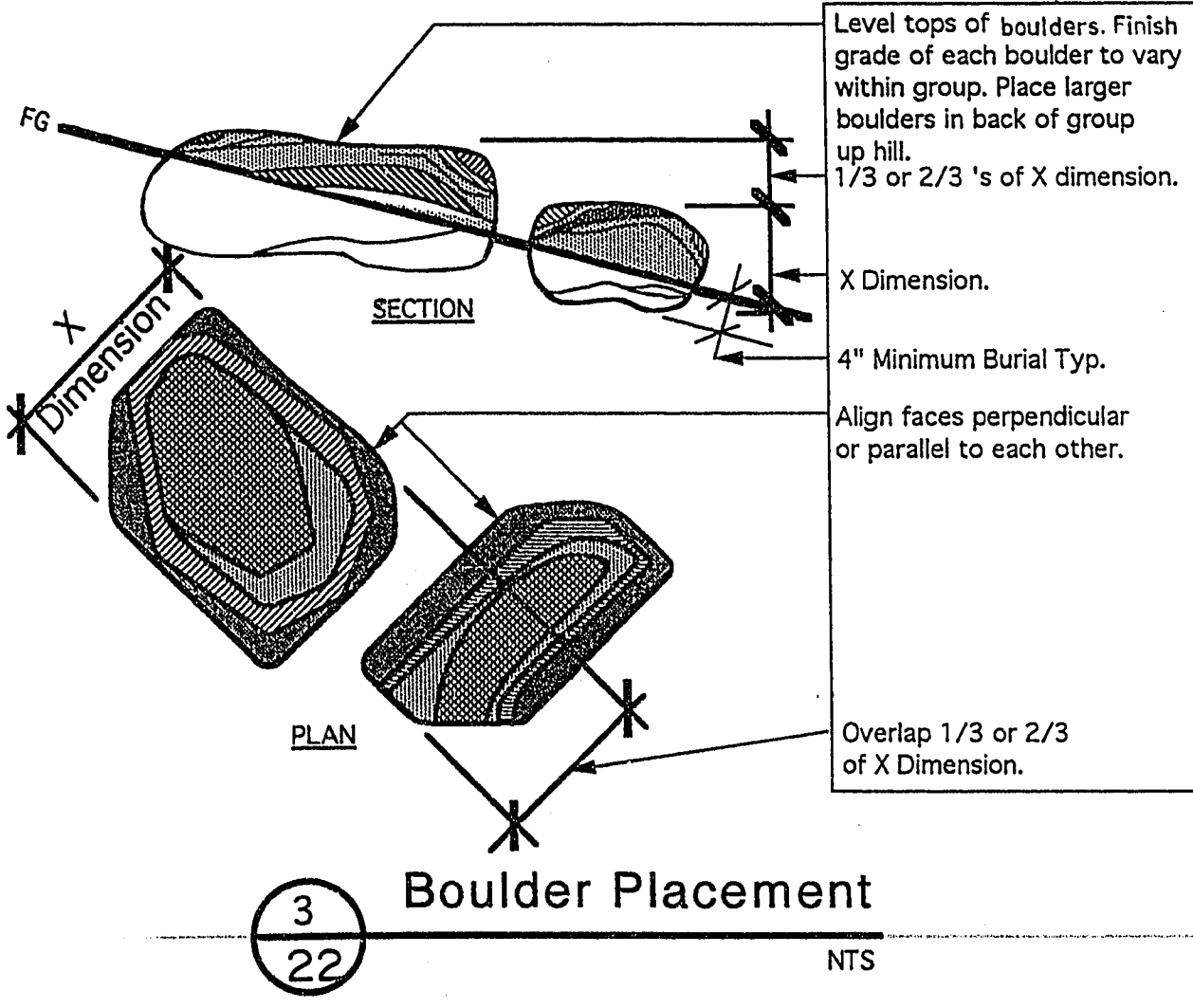


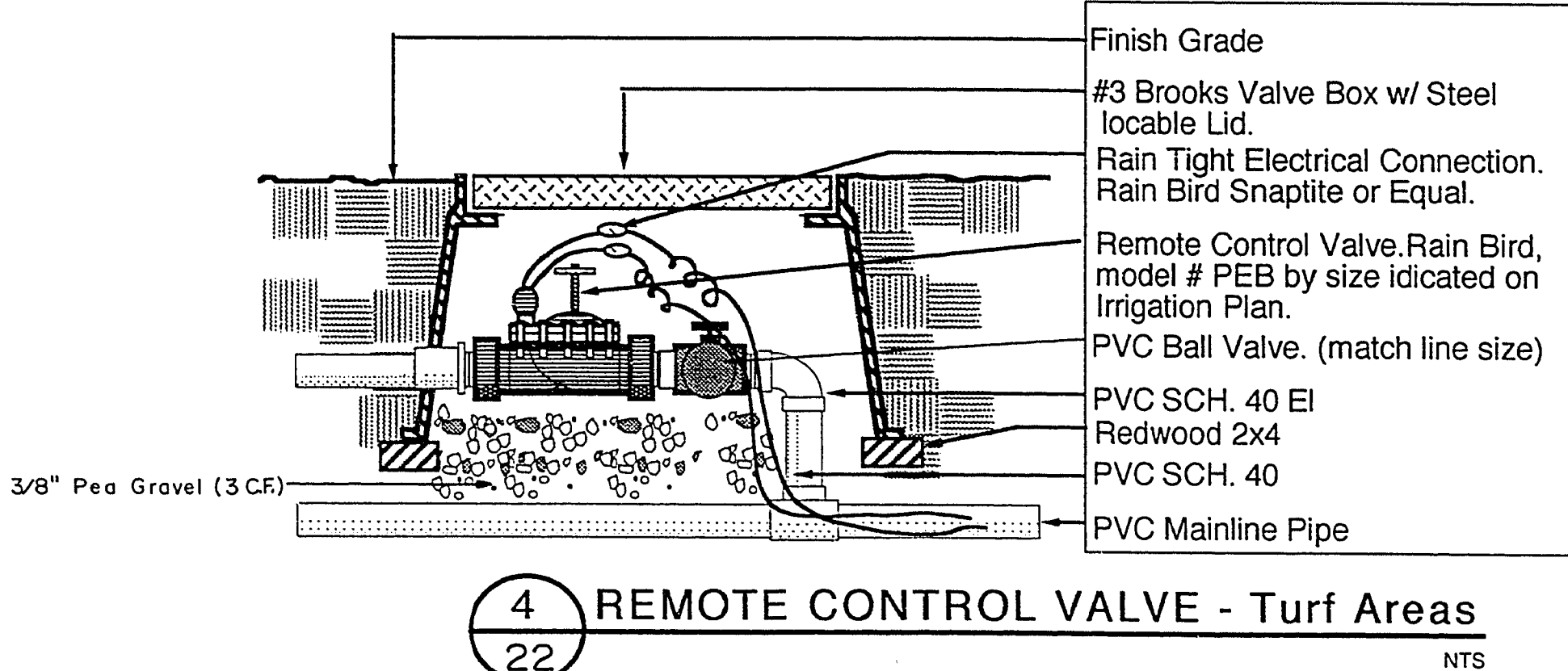
1 Tree Planting Detail
NTS



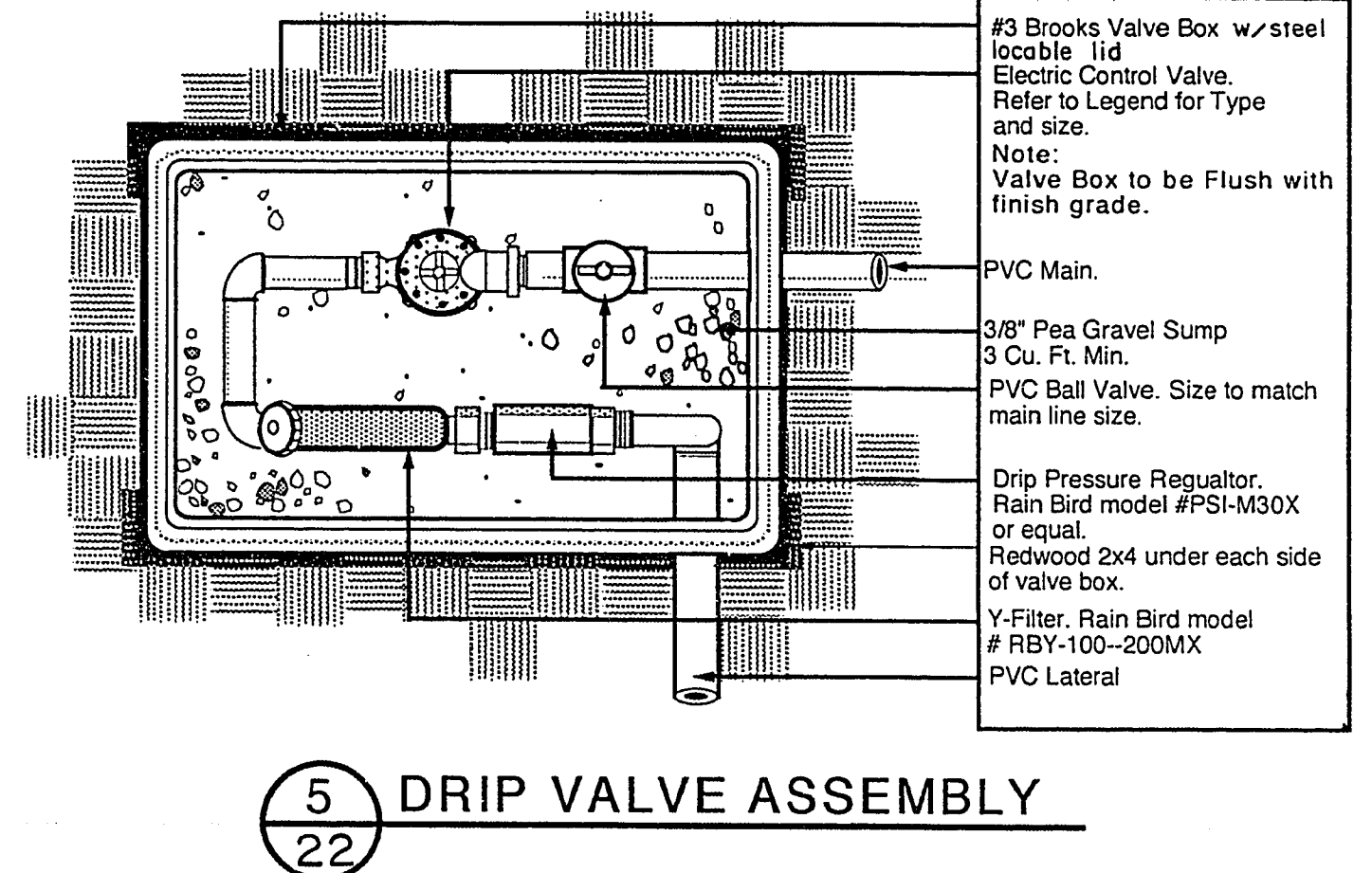
2 Shrub Planting Detail
NTS



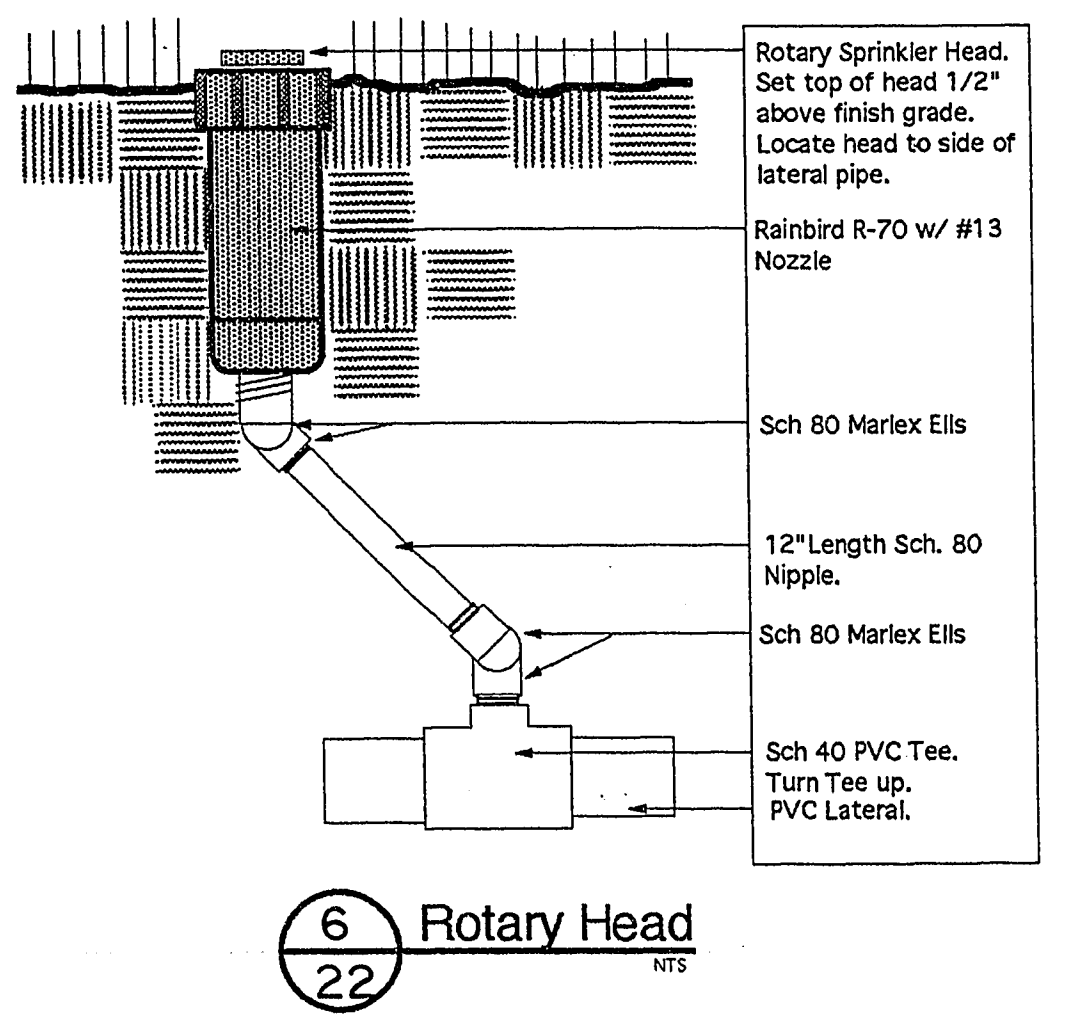
3 Boulder Placement
NTS



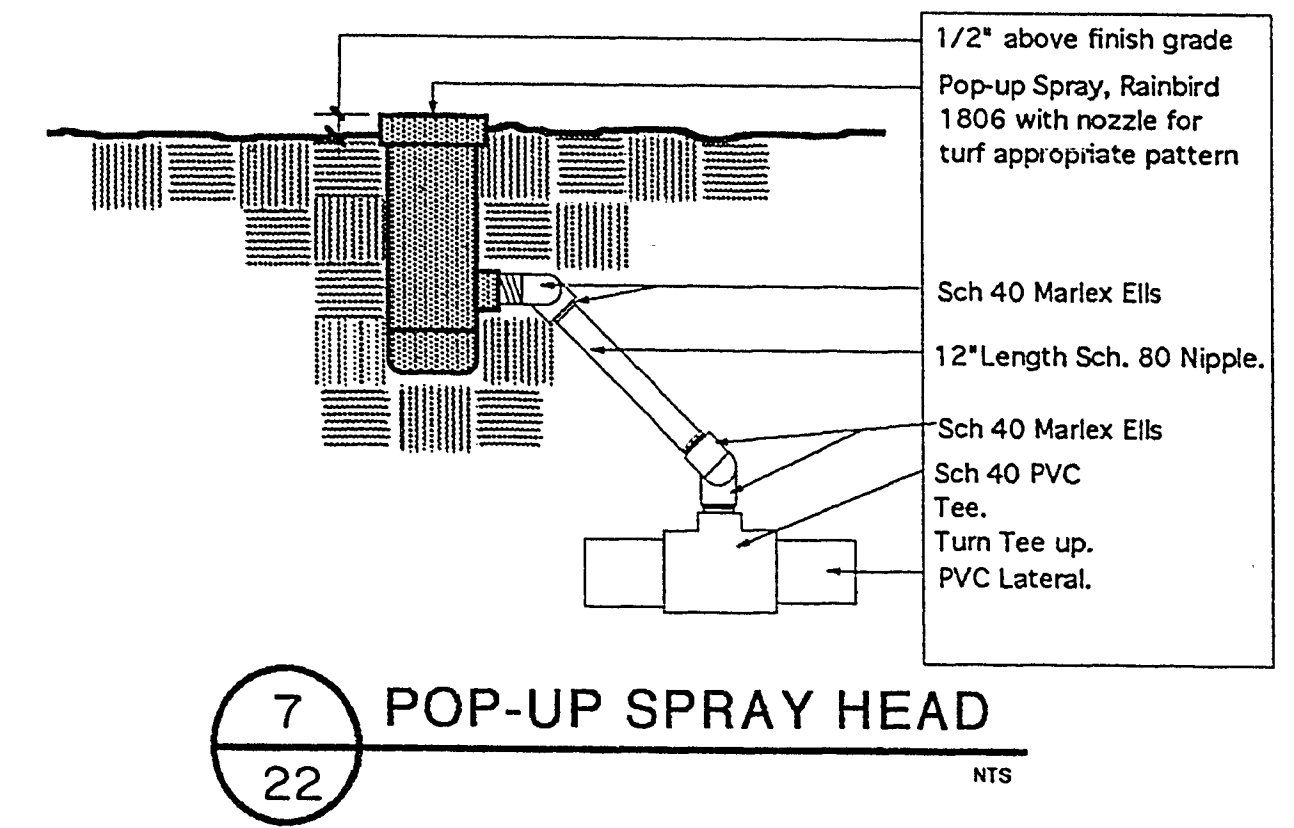
4 REMOTE CONTROL VALVE - Turf Areas
NTS



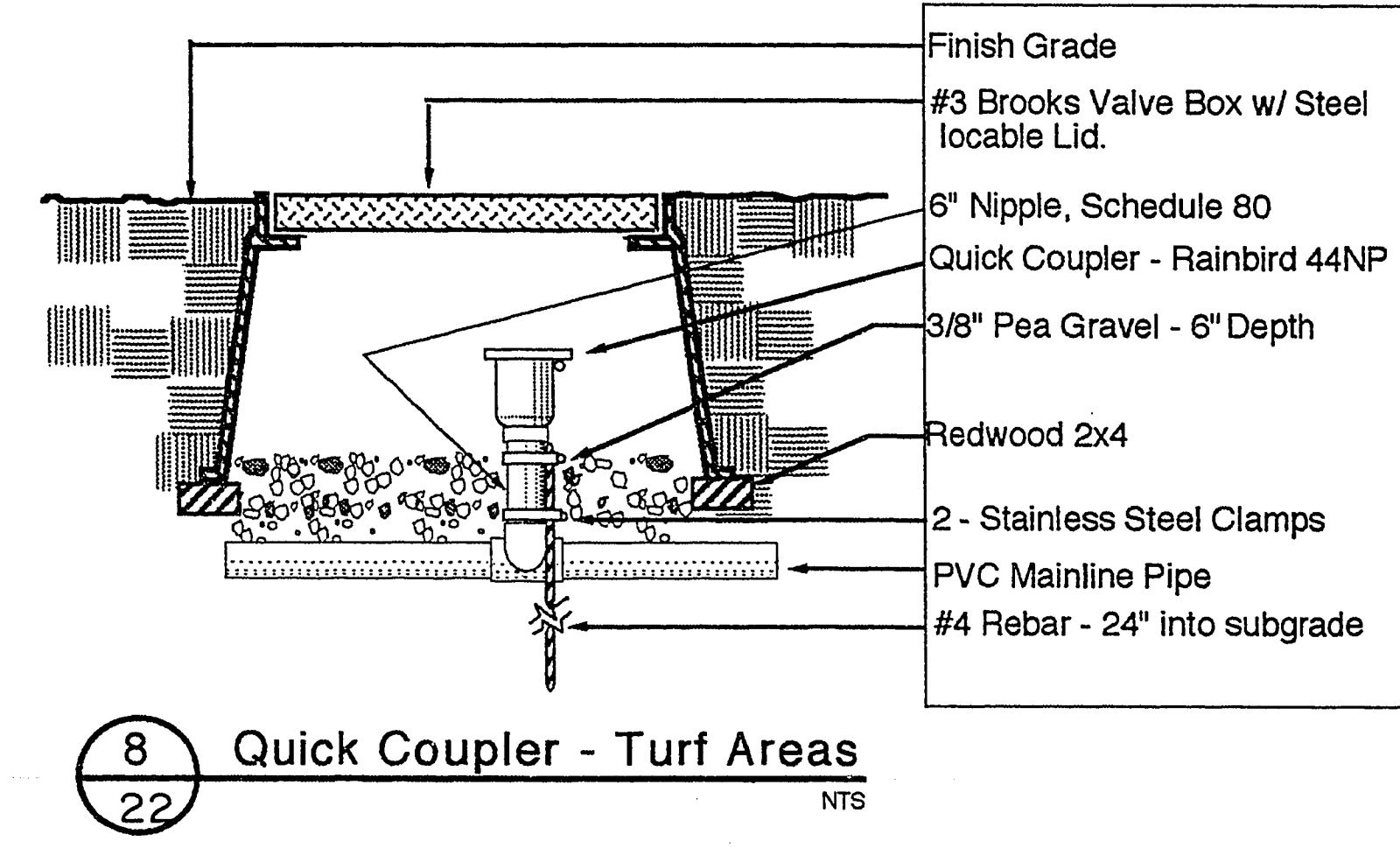
5 DRIP VALVE ASSEMBLY
NTS



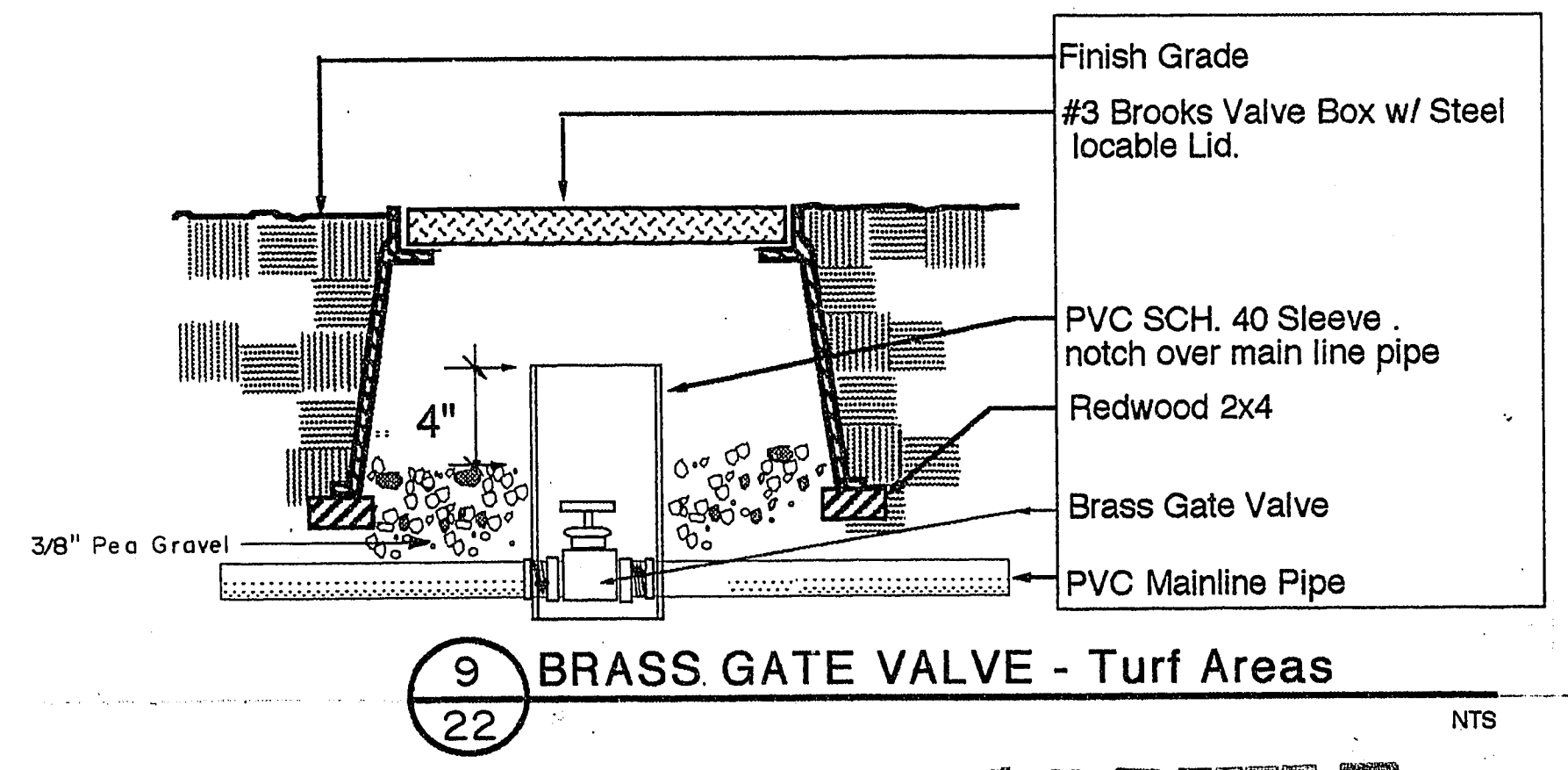
6 Rotary Head
NTS



7 POP-UP SPRAY HEAD
NTS

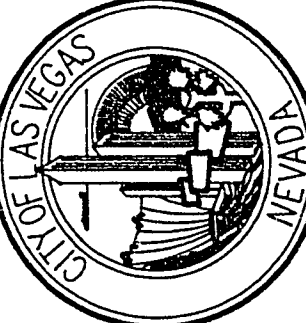
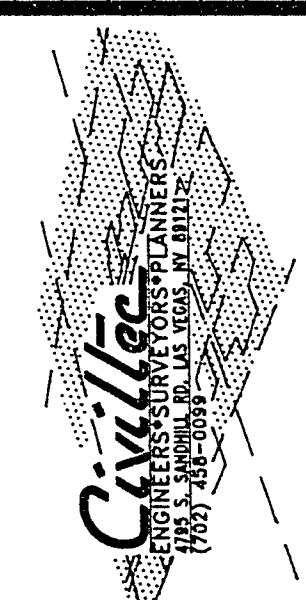


8 Quick Coupler - Turf Areas
NTS



9 BRASS GATE VALVE - Turf Areas
NTS

DATE	REVISIONS



DEPARTMENT OF PUBLIC WORKS
PROJECT:
GOWAN NORTH DETENTION
BASIN OFFSITE IMPROVEMENTS
AND W. WAYNE BUNKER
PARK EXTENSION

SHEET:
PROPOSED PARK
DETAIL SHEET

SCALE (H):	
SCALE (V):	
W.A. #:	
FLD. BK. #:	
DATE:	11/93
DES. BY:	LWB
DWN BY:	MV
CHK BY:	LWB
DRAWING #:	650.29-7
BID #:	94.1730.09
SHEET #	22 / 23

AS BUILT



3208 Crystal Pool Drive
Las Vegas, NV
89117(702) 254-7510
Fax: (702) 254-9532