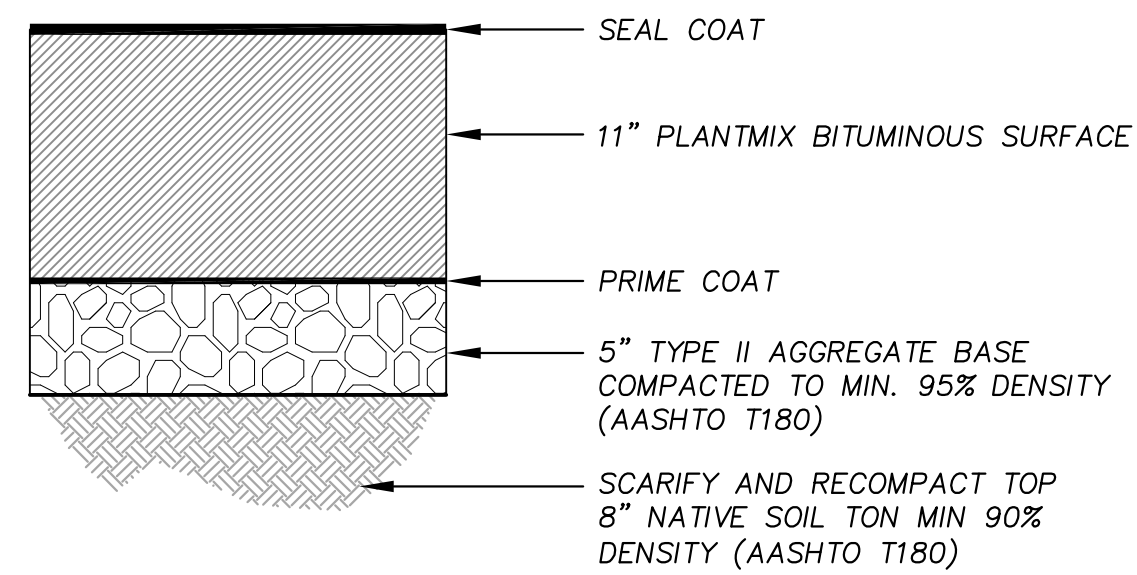
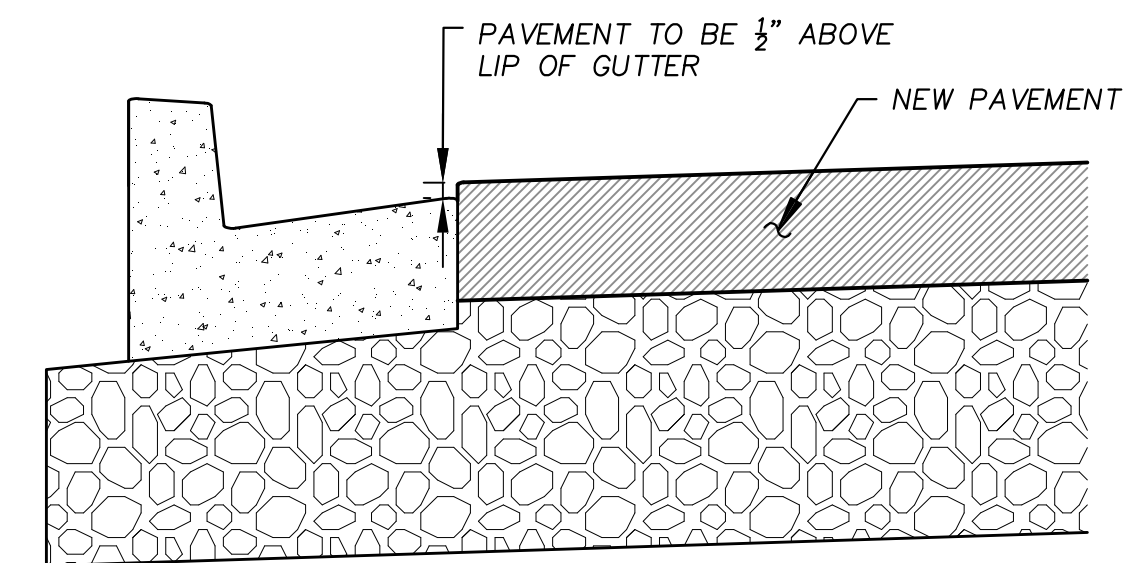


WASHINGTON AT MLK

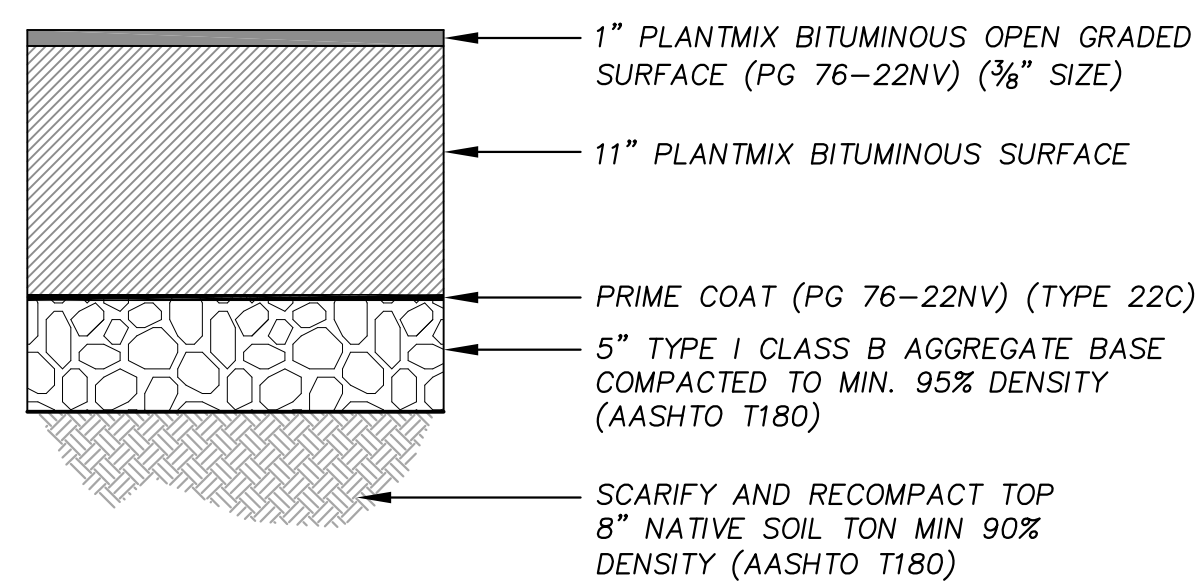


WASHINGTON AVENUE

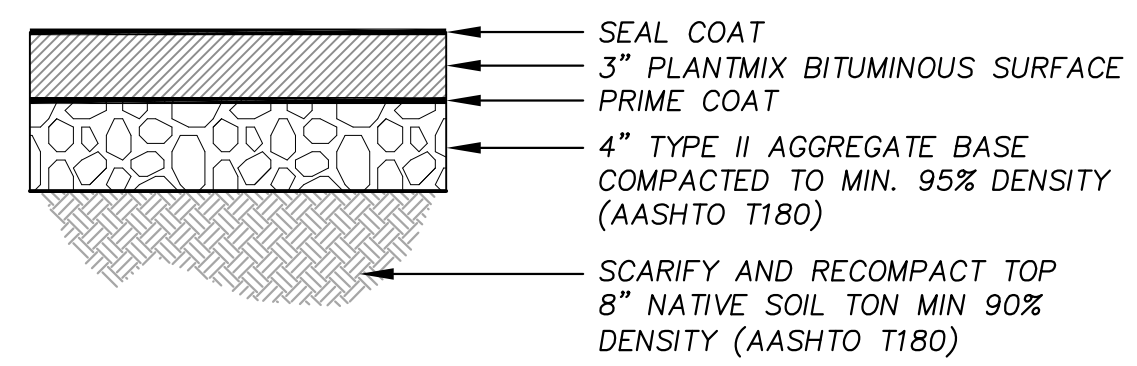


NEW PAVEMENT AT LIP OF GUTTER

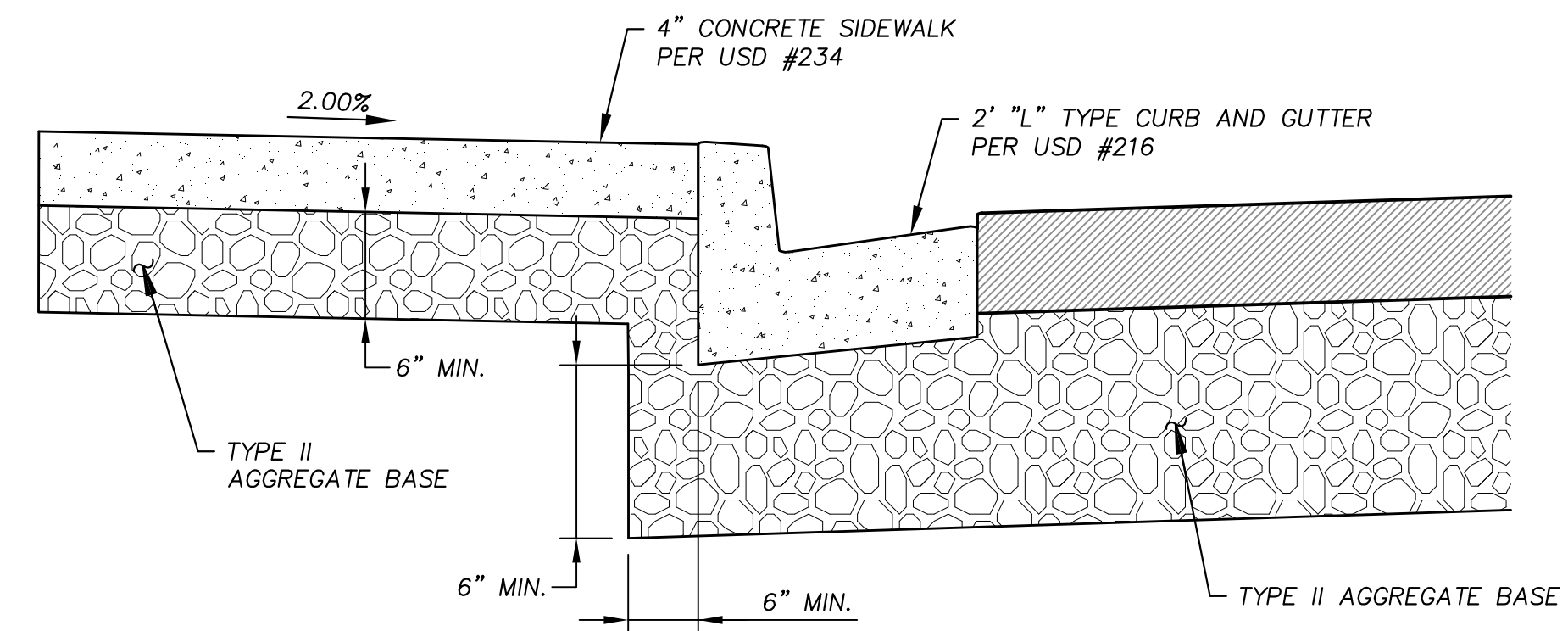
2
C8



RANCHO DRIVE



ROBIN STREET/TONOPAH DRIVE



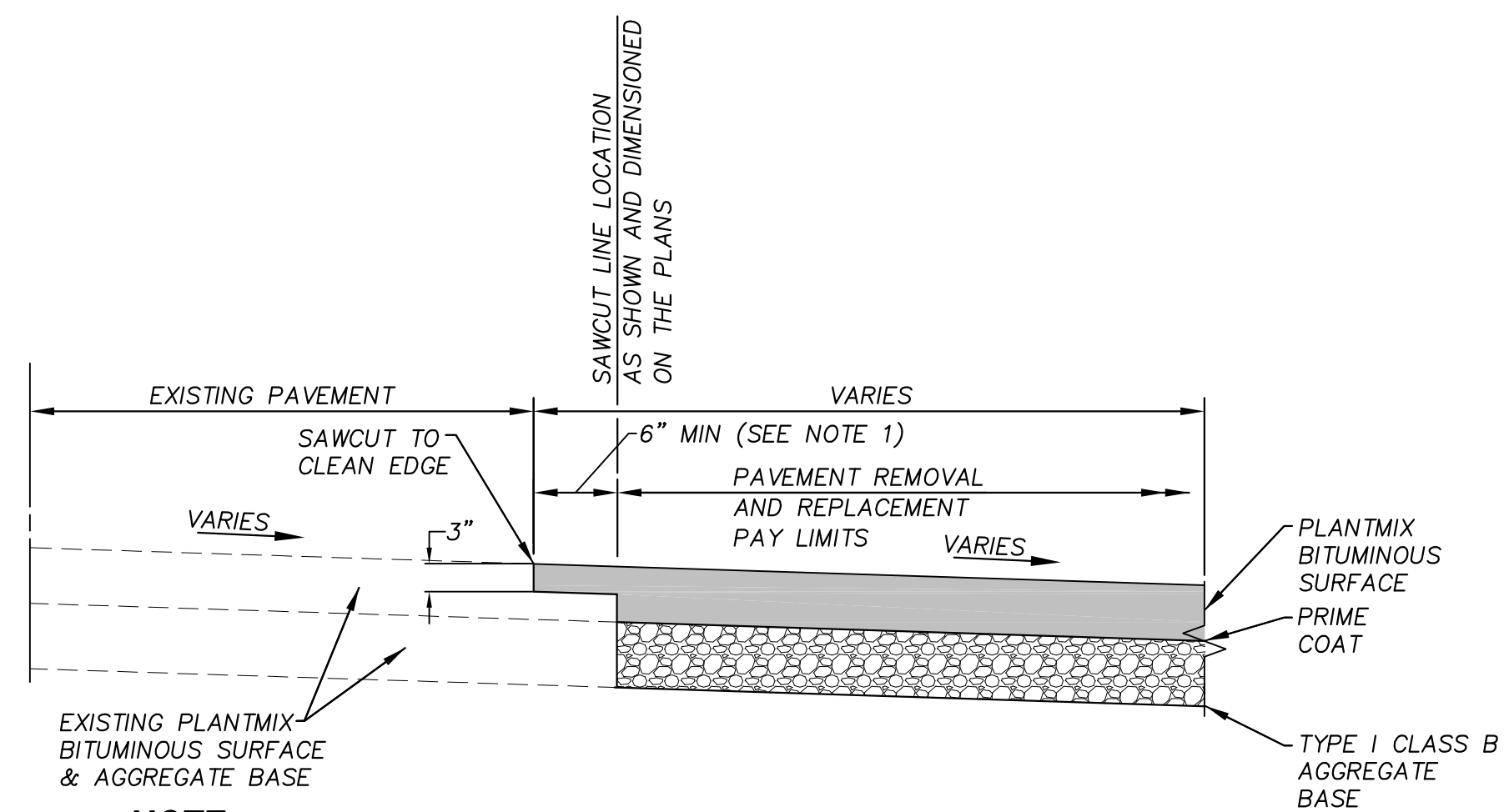
CURB, GUTTER AND SIDEWALK

3
C8

PAVEMENT SECTIONS

SCALE: N.T.S.

1
C8



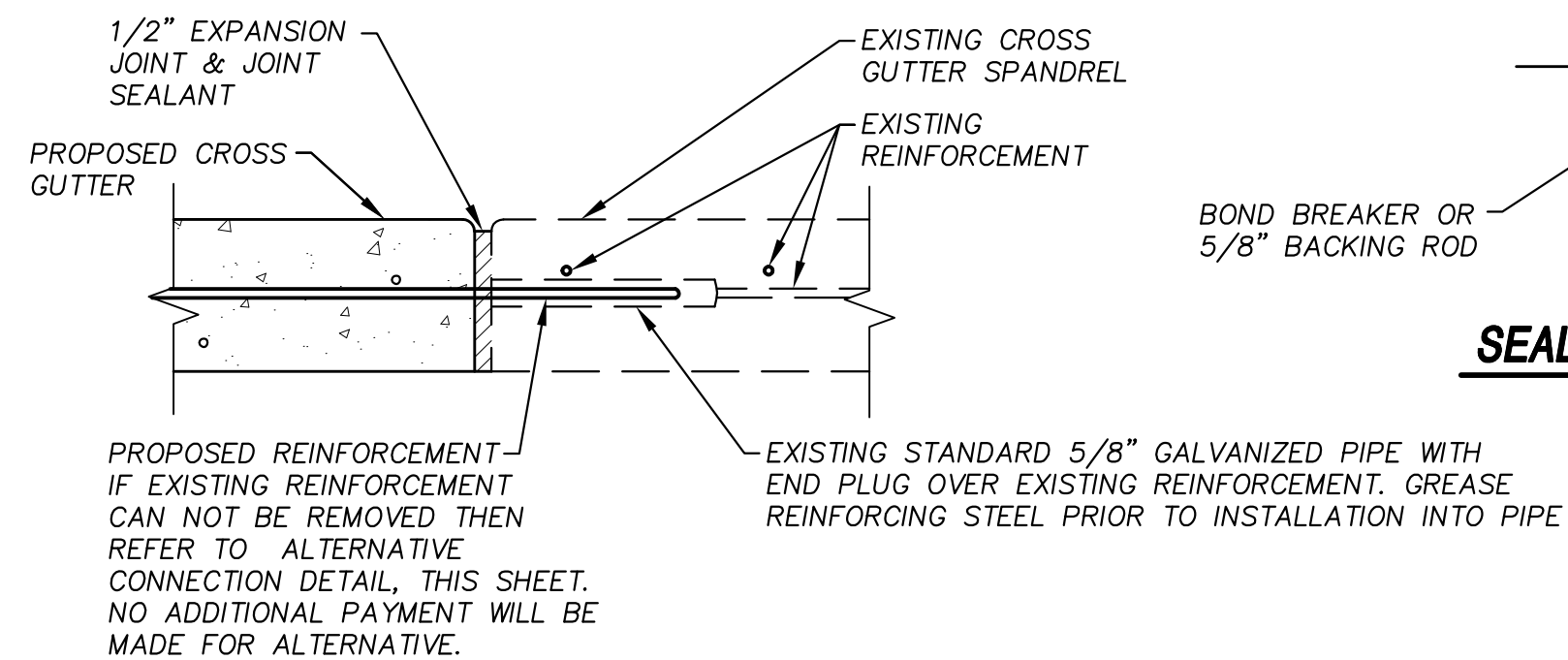
NOTE:

1. NO PAYMENT SHALL BE MADE FOR THE REMOVAL AND REPLACEMENT FOR THE PAVEMENT KEY-IN BEYOND THE PAYLIMIT LINE. THE COST SHALL BE INCIDENTAL TO OTHER ITEMS OF WORK.

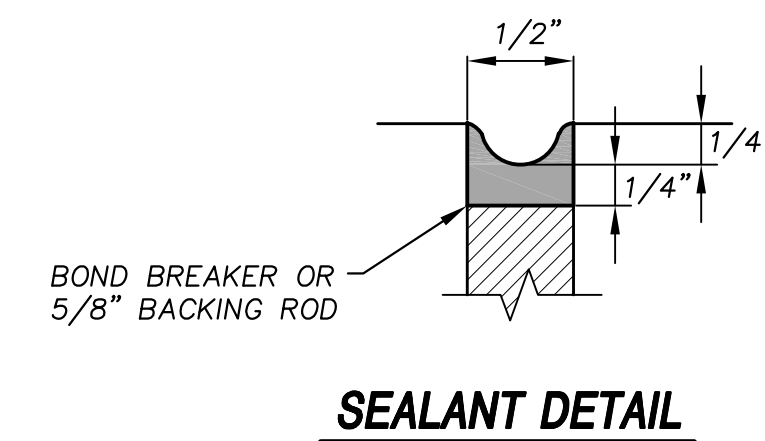
PAVEMENT KEY-IN NDOT R/W

SCALE: N.T.S.

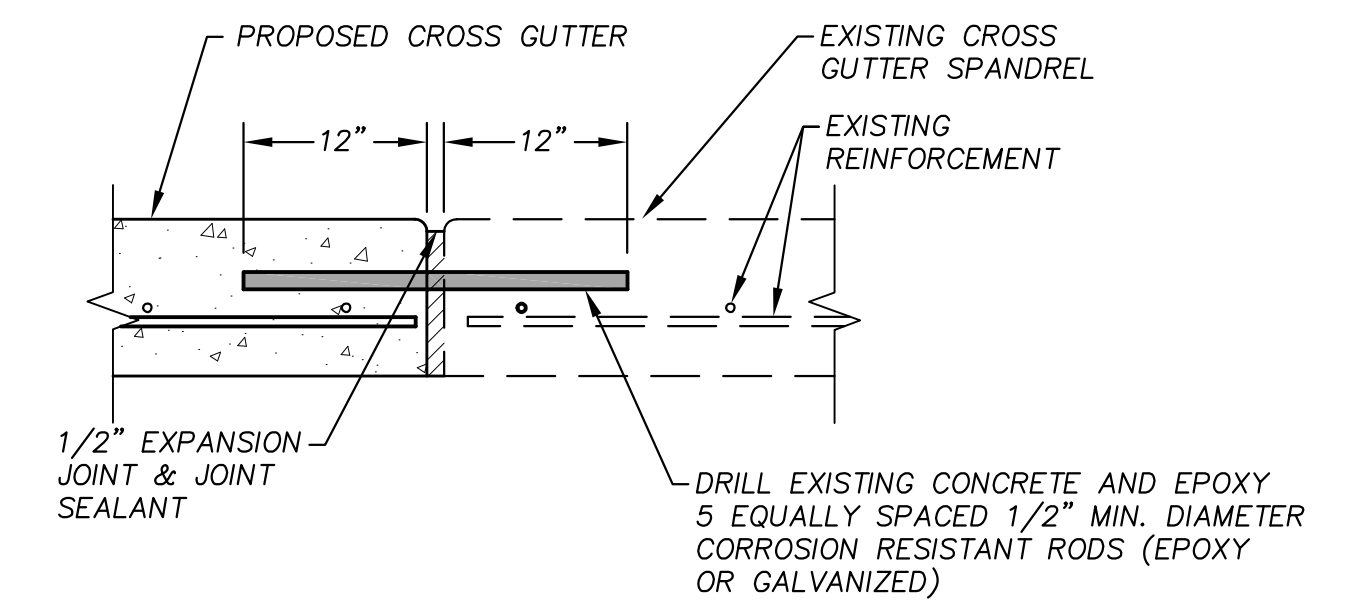
4
C8



JOINT DETAIL



SEALANT DETAIL



ALTERNATIVE JOINT DETAIL

CONNECTION TO EXISTING CROSS GUTTER SPANDREL

SCALE: N.T.S.

5
C8

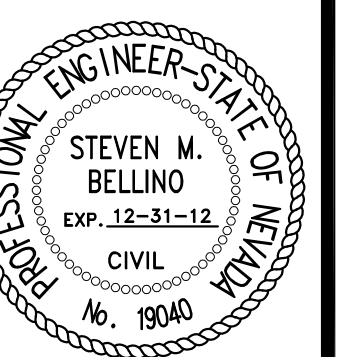
DEPARTMENT OF PUBLIC WORKS
ENGINEERING DESIGN SECTION

CITY ENGINEER: DAVID BOWERS, P.E., P.T.O.E.
CITY PROGRAM MANAGER: MARK SORENSEN, P.E.
PROJECT MANAGER: MATT BAIRD, P.E.
DESIGN BY: SMB
CHECK BY: SCR
DRAWN BY: DUE
DATE: JUNE 2013



TITLE: FREEWAY CHANNEL - WASHINGTON
MLK BOULEVARD TO RANCHO DRIVE
(WASHINGTON AVE. STORM DRAIN)

DETAILS



SHEET:

C8
#3 of 63

DRAWING# 731-90

ATKINS
2270 Corporate Circle Suite
200 Henderson, Nevada
89074 Telephone:
702/263-7275
Fax: 702/263-7200

NOT FOR CONSTRUCTION 70% SUBMITTAL