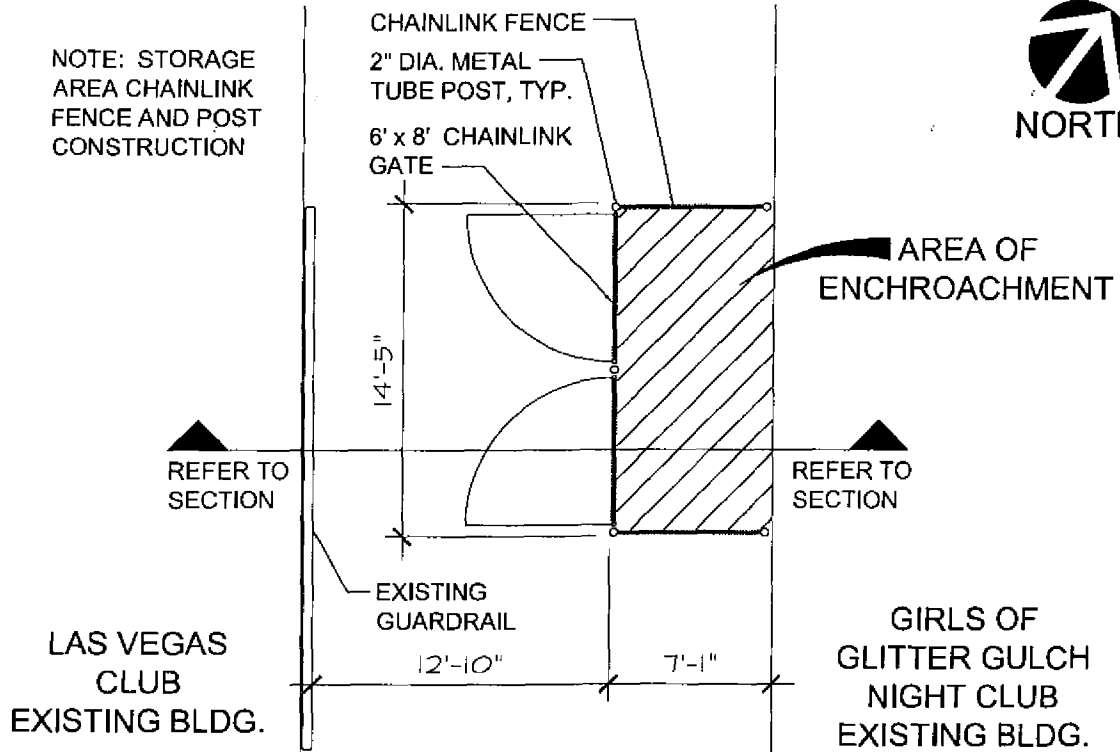
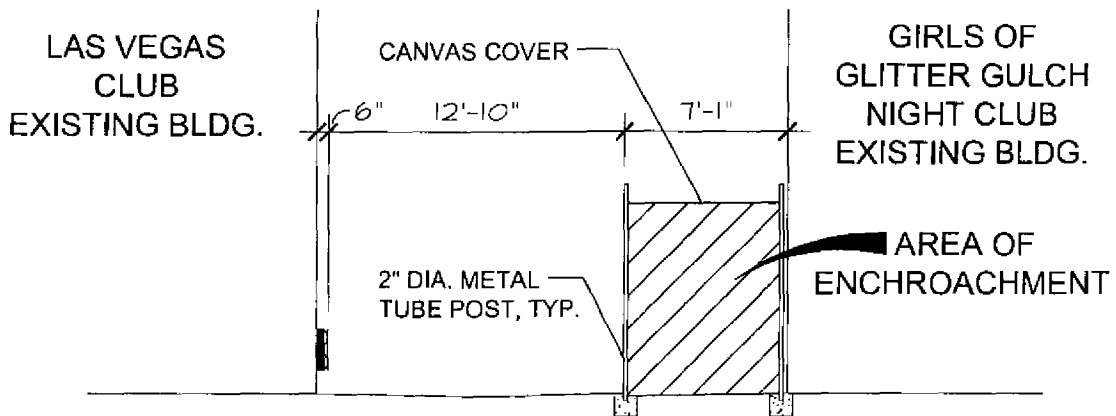


PLAN AND ELEVATION

NOTE: STORAGE
AREA CHAINLINK
FENCE AND POST
CONSTRUCTION



ENLARGED SITE PLAN



SECTION



WESTAR ARCHITECTURAL GROUP/NEVADA, INC.
701 BRIDGER AVENUE SUITE 400 LAS VEGAS, NV 89109
(702) 878-0000 PROJ. # 08115

EXHIBIT "B"