



PLANNING & DEVELOPMENT DEPARTMENT

STATEMENT OF FINANCIAL INTEREST

Case Number: **RQR-24404** APN: 138-25-503-003

Name of Property Owner: Fong Imperial Plaza Limited Partnership

Name of Applicant: Las Vegas Billboard

To the best of your knowledge, does the Mayor or any member of the City Council or Planning Commission have any financial interest in this or any other property with the property owner, applicant, the property owner or applicant's general or limited partners, or an officer of their corporation or limited liability company?

Yes

No

If yes, please indicate the member of the City Council or Planning Commission who is involved and list the name(s) of the person or persons with whom the City Official holds an interest. Also list the Assessor's Parcel Number if the property in which the interest is held is different from the case parcel.

City Official: _____

Partner(s): _____

APN _____

Signature of Property Owner: *Kenneth W. Fong*

Print Name: Kenneth W. Fong

Subscribed and sworn before me

This 8 day of AUGUST, 2007

A. M. Covington State of Nevada
Notary Public in and for said County and State County of Clark





PLANNING & DEVELOPMENT DEPARTMENT

STATEMENT OF FINANCIAL INTEREST

Case Number: **RQR-24404** APN: 138-25-503-003

Name of Property Owner: Fong Imperial Plaza Limited Partnership

Name of Applicant: Las Vegas Billboard

To the best of your knowledge, does the Mayor or any member of the City Council or Planning Commission have any financial interest in this or any other property with the property owner, applicant, the property owner or applicant's general or limited partners, or an officer of their corporation or limited liability company?

Yes

No

If yes, please indicate the member of the City Council or Planning Commission who is involved and list the name(s) of the person or persons with whom the City Official holds an interest. Also list the Assessor's Parcel Number if the property in which the interest is held is different from the case parcel.

City Official: _____

Partner(s): _____

APN _____

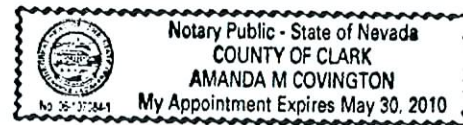
Signature of Property Owner: *Kenneth W. Fong*

Print Name: Kenneth W. Fong

Subscribed and sworn before me

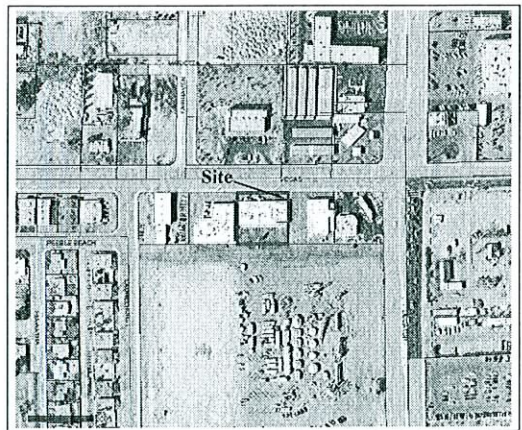
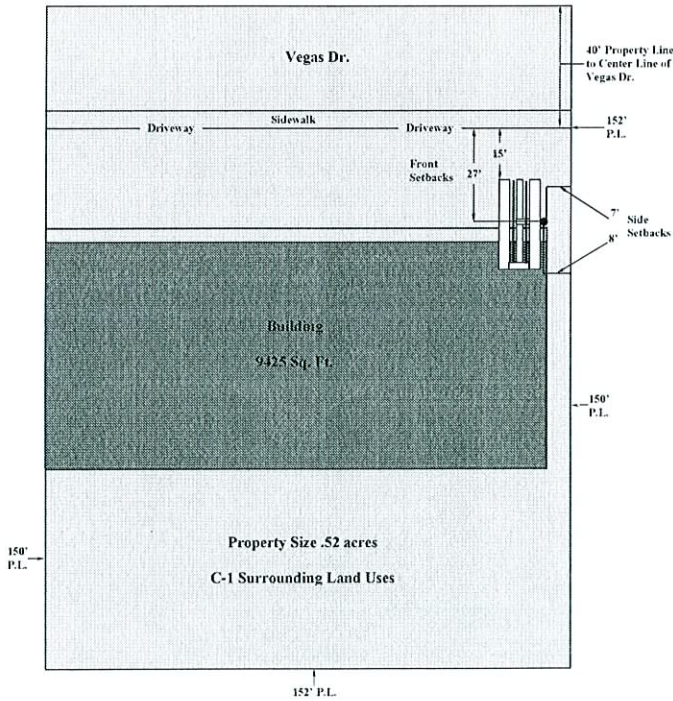
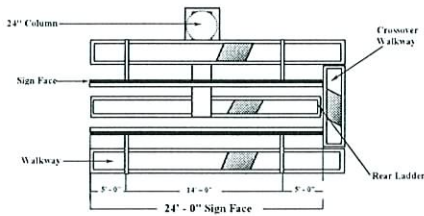
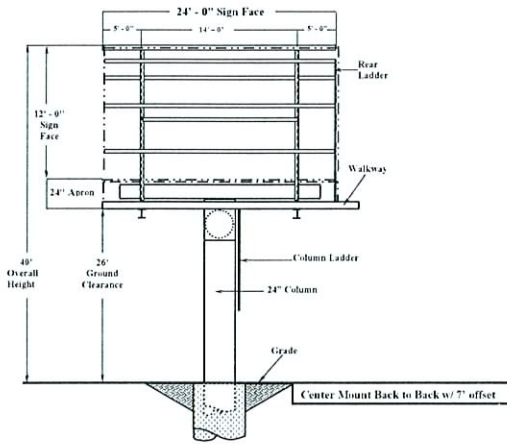
This 8 day of August, 2007

A.M.C. State of Nevada
Notary Public in and for said County and State County of Clark



RECEIVED

SEP 05 2007

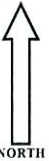


PROPERTY OWNER: WING GAY FONG TRUST
1553 N. DECATUR BLVD.
LAS VEGAS, NV 89108-1204

PROPERTY ADDRESS: 1571 N. DECATUR BLVD.
LAS VEGAS, NV 89108

CONTACT: STEVE RANNEY @
LAS VEGAS BILLBOARDS
4611 S. LAS VEGAS BLVD.
LAS VEGAS, NV 89119
837-7822

APN: 138-25-503-003
ZONED: C-1
12' x 24'
40' OVERALL HEIGHT
NO ADJACENT ON-PREMISE SIGN WITHIN 100'
NO ADJACENT OFF-PREMISE SIGN WITHIN 300'
NO R ZONE WITHIN 300'
SCALE 1" = 20'



SIGN ANALYSIS TABLE

TYPE OF SIGN:	12' X 24' OFF-PREMISE SIGN
SIGN HEIGHT:	40' OVERALL HEIGHT
SIGN WIDTH:	24' OVERALL WIDTH
SIGN AREA:	336' SQUARE FT.
ILLUMINATION TYPE:	HALLOGEN LIGHTING
ANIMATION:	NONE

LOCATION:
15' FRONT SETBACK FROM SRU'S AVE. TO LEADING EDGE OF SIGN.
27' FROM VEGAS DR. TO CENTER OF COLUMN.
7' SIDE SETBACK EAST PROPERTY LINE TO EDGE OF COLUMN.
8' FROM EAST PROPERTY LINE TO CENTER OF COLUMN

RQR-24404

10/25/07 PC

RECEIVED

SEP 05 2007