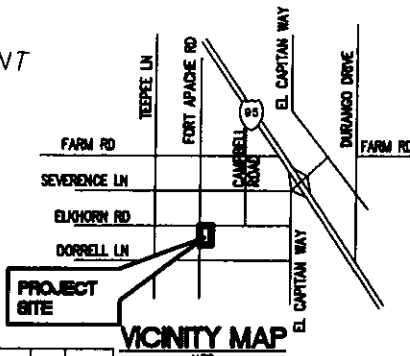
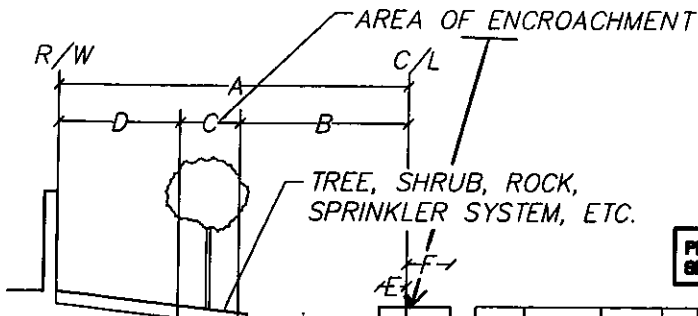
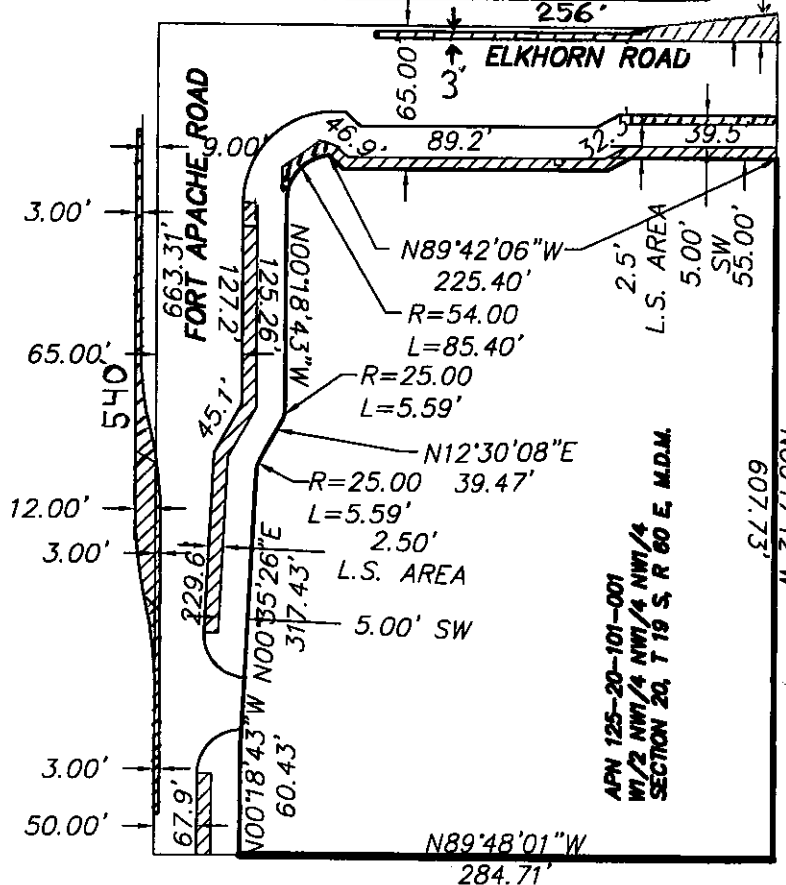


EXHIBIT "A"



TYPICAL SECTION
N.T.S.

	A	B	C	D	E	F
60'R/W	30'	20'	5'	5'		
80'R/W	40'	28'	5'	7'		
100'R/W	50'	42.5'	2.5'	5'	3'	12'



ENCROACHMENT EXHIBIT

N.T.S.

ELKHORN AND FORT APACHE

I: \LDD_PROJ\040519.20\E-FA-BNDY.DWG



3610 North Rancho Drive
Las Vegas, Nevada 89130
Telephone: (702) 648-9700
fax: (702) 648-4143

4-29-05