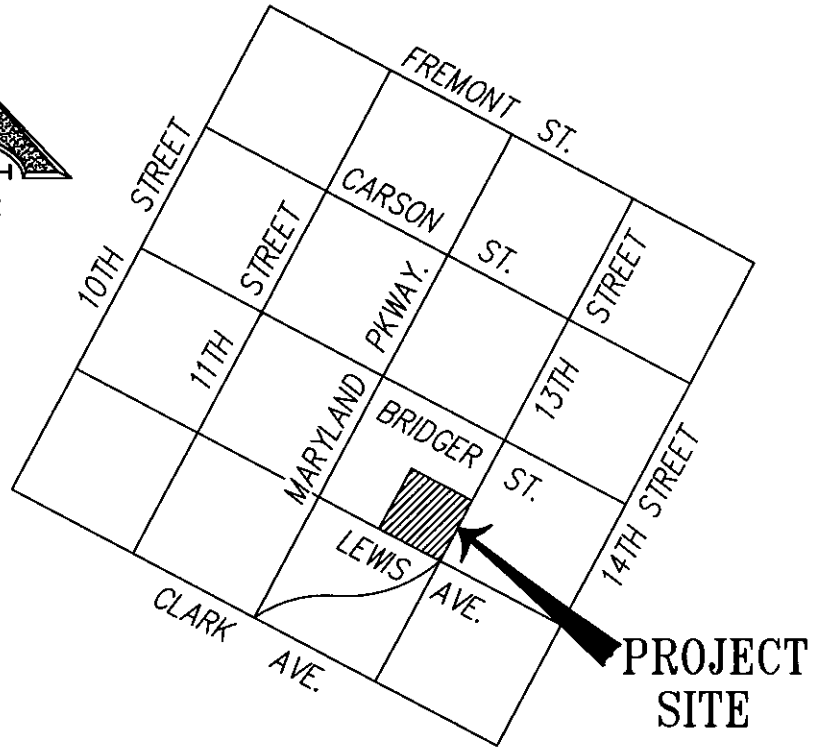
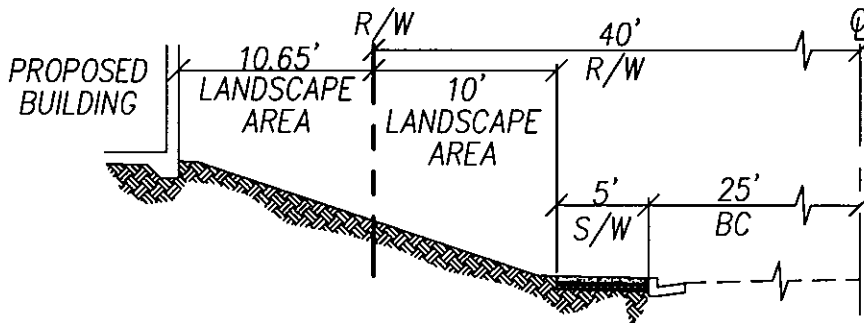


EXHIBIT "A"
TO ACCOMPANY ENCROACHMENT APPLICATION
SHEET 1 OF 2



VICINITY MAP

NO SCALE



THIRTEENTH STREET

NO SCALE