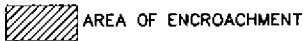
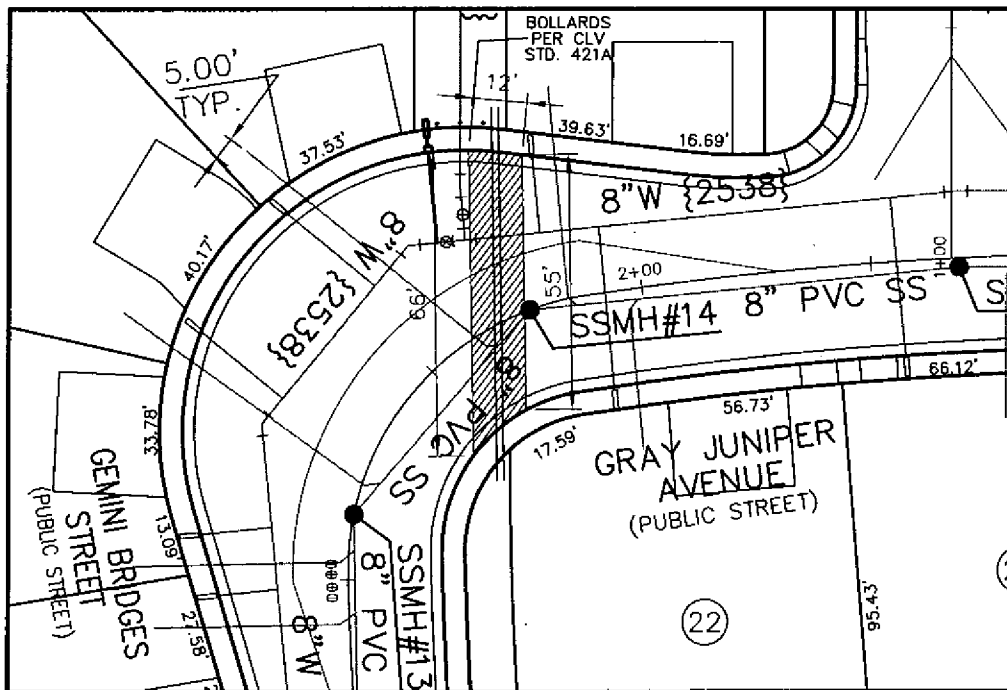
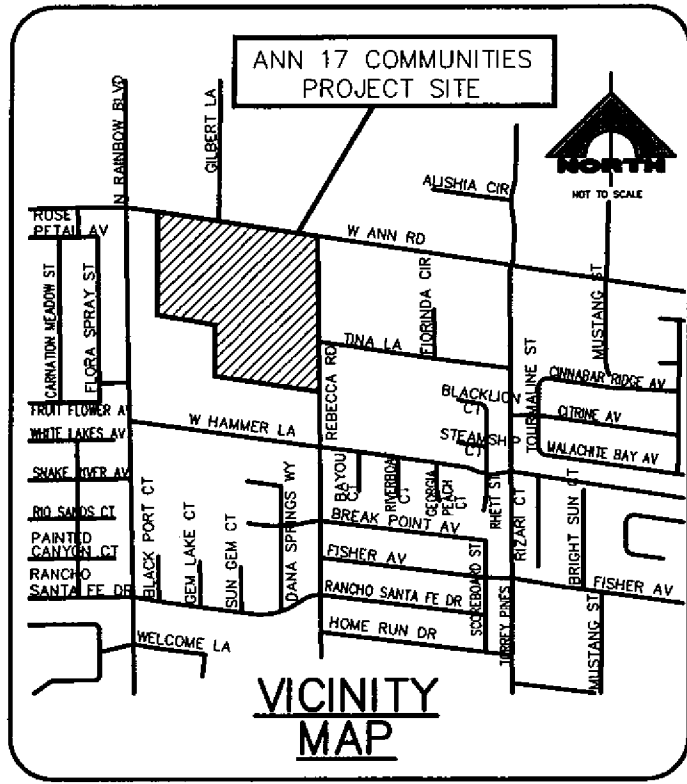
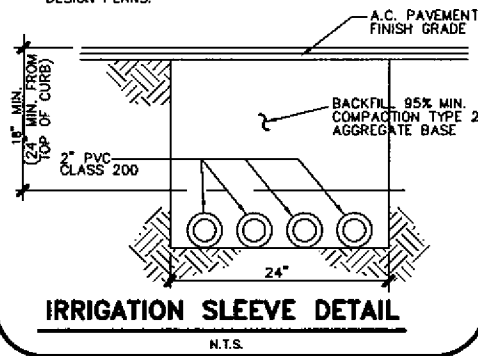


EXHIBIT " B "



1. SLEEVES AND CONDUITS SHALL BE INSTALLED 18" BELOW FINISHED GRADE AND SHALL EXTEND 12" BEYOND BACK OF CURBS, WALLS AND PAVING.
2. CONTRACTOR SHALL RECORD LOCATIONS OF INSTALLED SLEEVES: A COPY OF THE FIELD NOTES SHALL BE GIVEN TO THIS ENGINEER FOLLOWING CONSTRUCTION.
3. HORIZONTAL LOCATION OF SLEEVES SHALL BE SHOWN ON DESIGN PLANS.



ENCROACHMENT EXHIBIT #2