

VAC



**PLANNING & DEVELOPMENT DEPARTMENT**

**STATEMENT OF FINANCIAL INTEREST**

Case Number: VAC-13850 APN: 125-09-602-004;702-001 thru -003; 704-001

Name of Property Owner: William Lyon Homes

Name of Applicant: William Lyon Homes

To the best of your knowledge, does the Mayor or any member of the City Council or Planning Commission have any financial interest in this or any other property with the property owner, applicant, the property owner or applicant's general or limited partners, or an officer of their corporation or limited liability company?

Yes

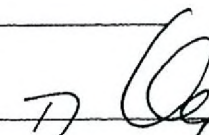
No

If yes, please indicate the member of the City Council or Planning Commission who is involved and list the name(s) of the person or persons with whom the City Official holds an interest. Also list the Assessor's Parcel Number if the property in which the interest is held is different from the case parcel.

City Official: \_\_\_\_\_

Partner(s): \_\_\_\_\_

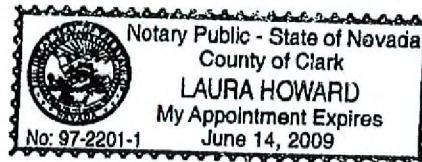
APN \_\_\_\_\_

Signature of Property Owner: 

Print Name: Terry Connelly

Subscribed and sworn before me

This 9<sup>th</sup> day of May, 2009  
Laura Howard  
Notary Public in and for said County and State





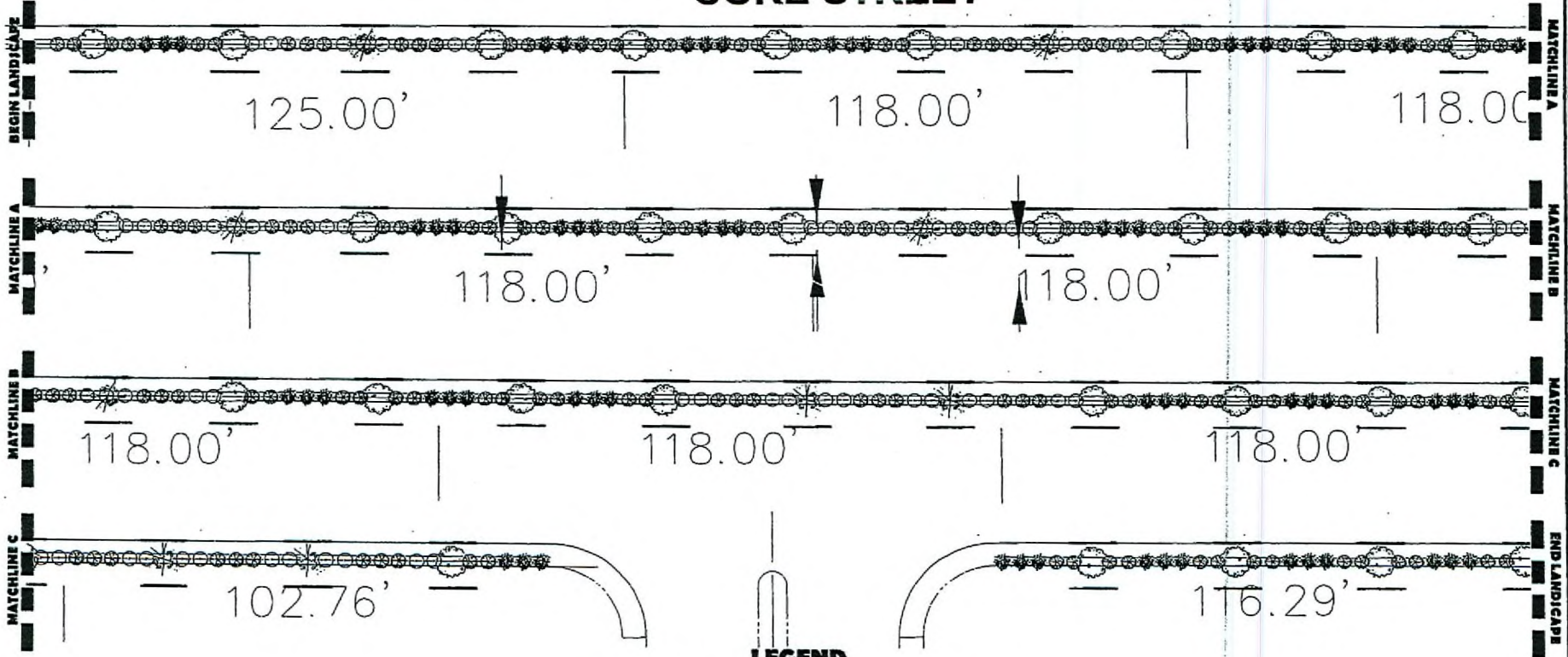


RECEIVED

VAC-13850

03/22/07 PC

# COKE STREET



## LEGEND

SYMBOL	QUANTITY	SIZE	DESCRIPTION
	31	24" Box	SOUTHERN LIVE OAK <i>Quercus Virginiana</i>
	9	24" Box	PINK DAWN CHITALPA STD. <i>Chitalpa Tashkentensis 'Pink Dawn'</i>
	59	5 Gal	OLEANDER <i>Nerium Oleander</i>
	142	5 Gal	INDIAN HAWTHORNE <i>Raphiolepis Indica</i>
	72	5 Gal	DWARF GERMANDER <i>Teucrium Chamaedrys 'Prostratum'</i>
	92 Tons	3/4"	ROCK Southwest Red
	40 Pcs	To Vary	ROOT BARRIER



**SUN CITY LANDSCAPES INC.**  
3479 S. CHANDLER AVE., STE. 2  
LAS VEGAS, NEVADA 89109  
PH: 702.333.8840 FAX: 702.333.8840  
www.suncity.com

**COKE AND HORSE PERIMETER LAYOUT COKE STREET PLANTING DESIGN**

**WILLIAM LYON HOME, INC.**  
500 PILOT ROAD STE. C  
LAS VEGAS, NEVADA 89119  
PH: 702.333.8840 FAX: 702.333.8840  
www.williamlyonhome.com

**PERIMETER PLANTING LAYOUT PLAN**

TREVOR AL LOUIE

**L1.00**