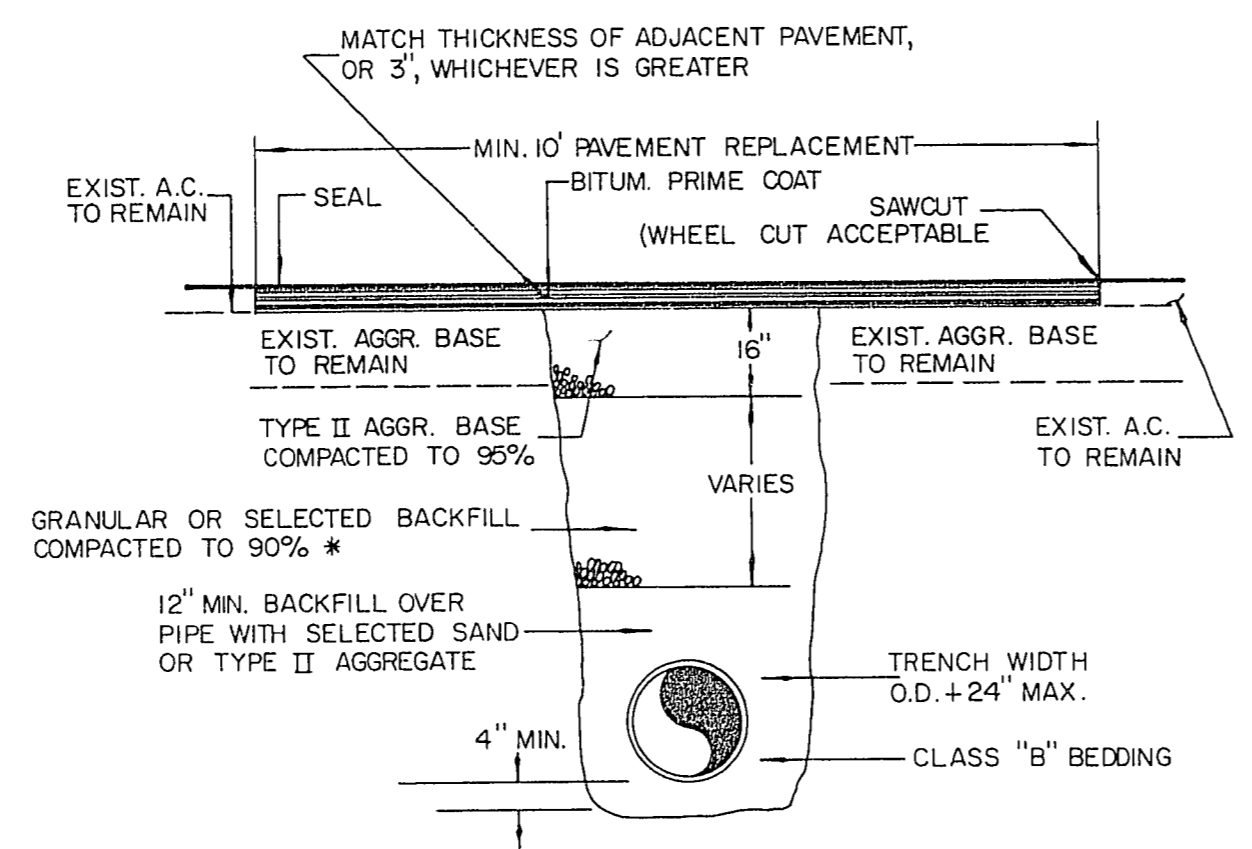
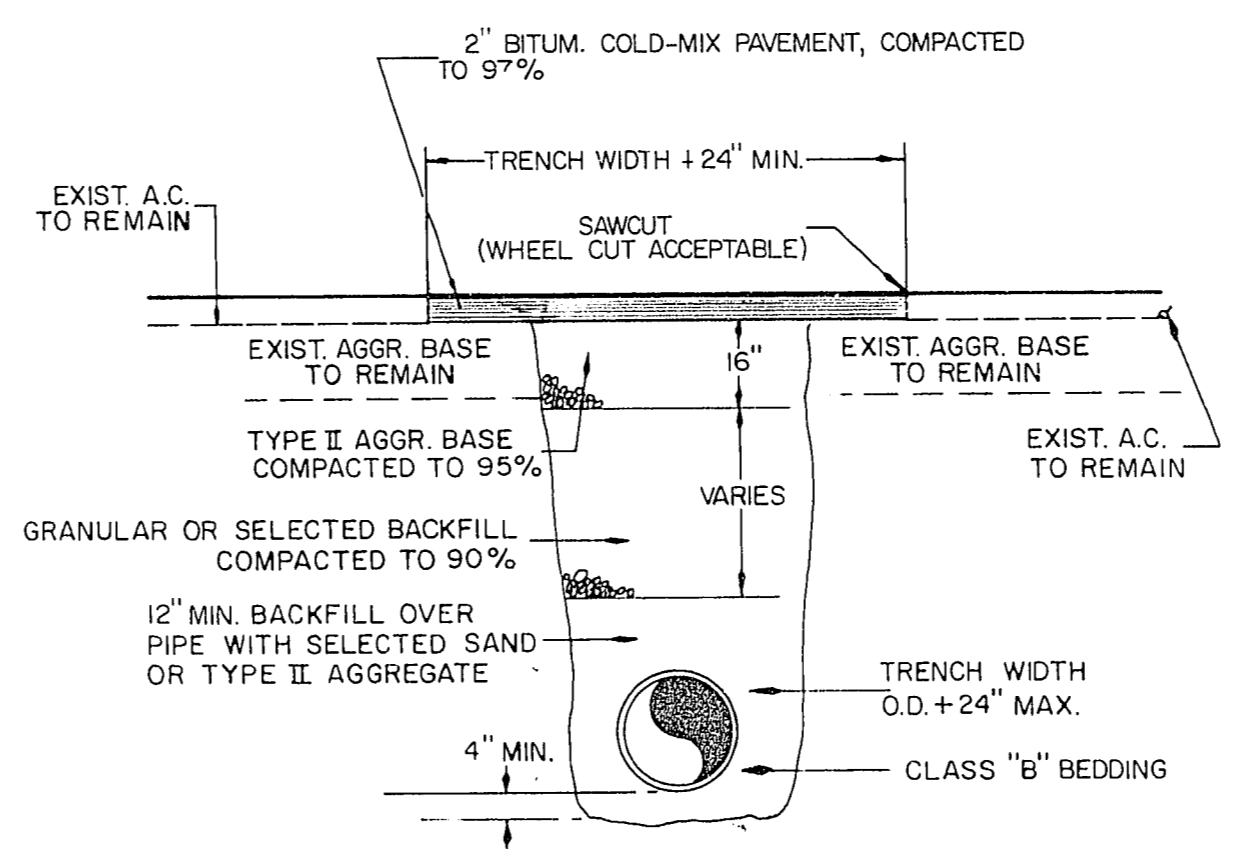


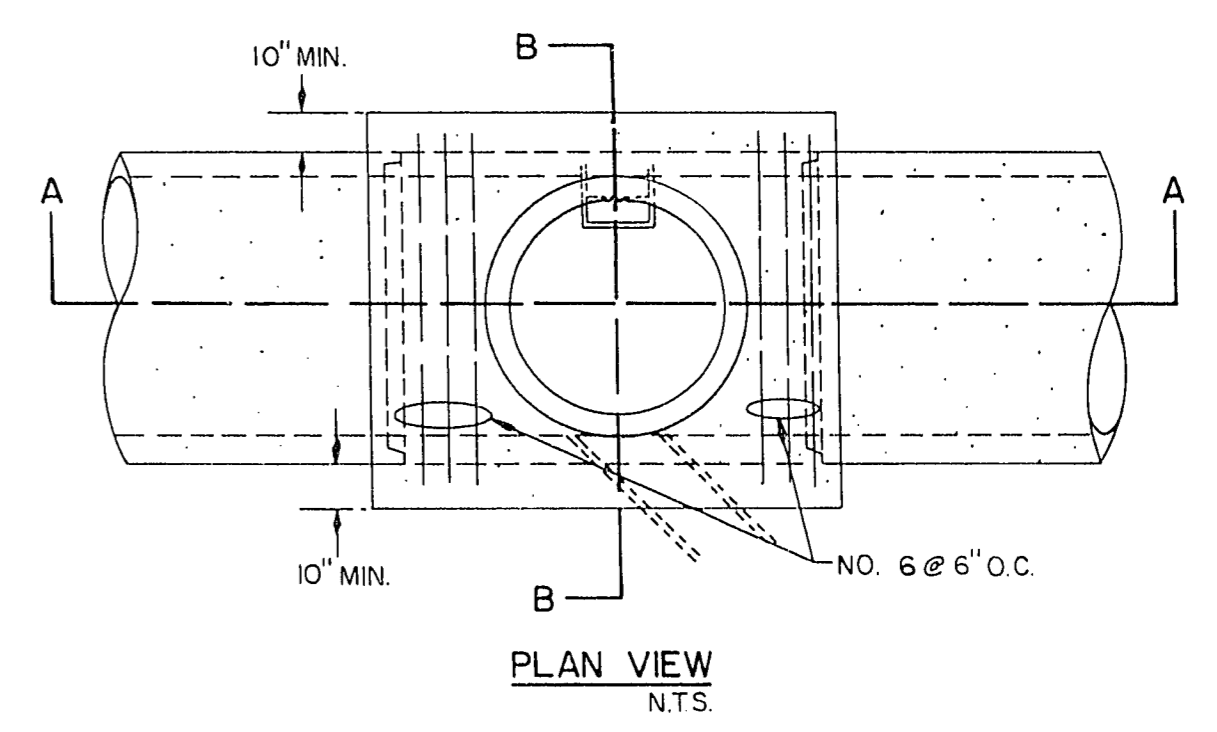
CONCRETE CAP DETAIL
JONES BLVD. STA. 14+6570 N.T.S.



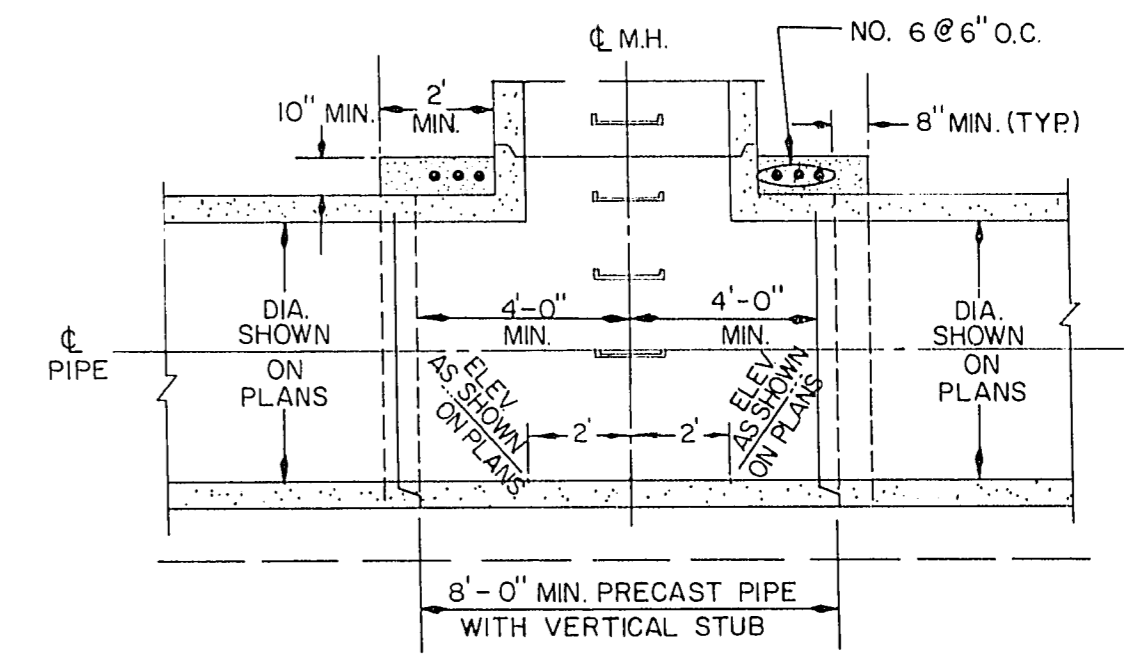
TRENCH BACKFILL & HOT PLANTMIX PLACEMENT DETAIL
STA. 58+72.00 TO STA. 60+482.00 AND STA. 78+50.00 TO STA. 80+58.00 N.T.S.
* STA. 78+50.00 TO STA. 80+58.00 - GRANULAR OR SELECTED BACKFILL TO BE COMPACTED TO 95%



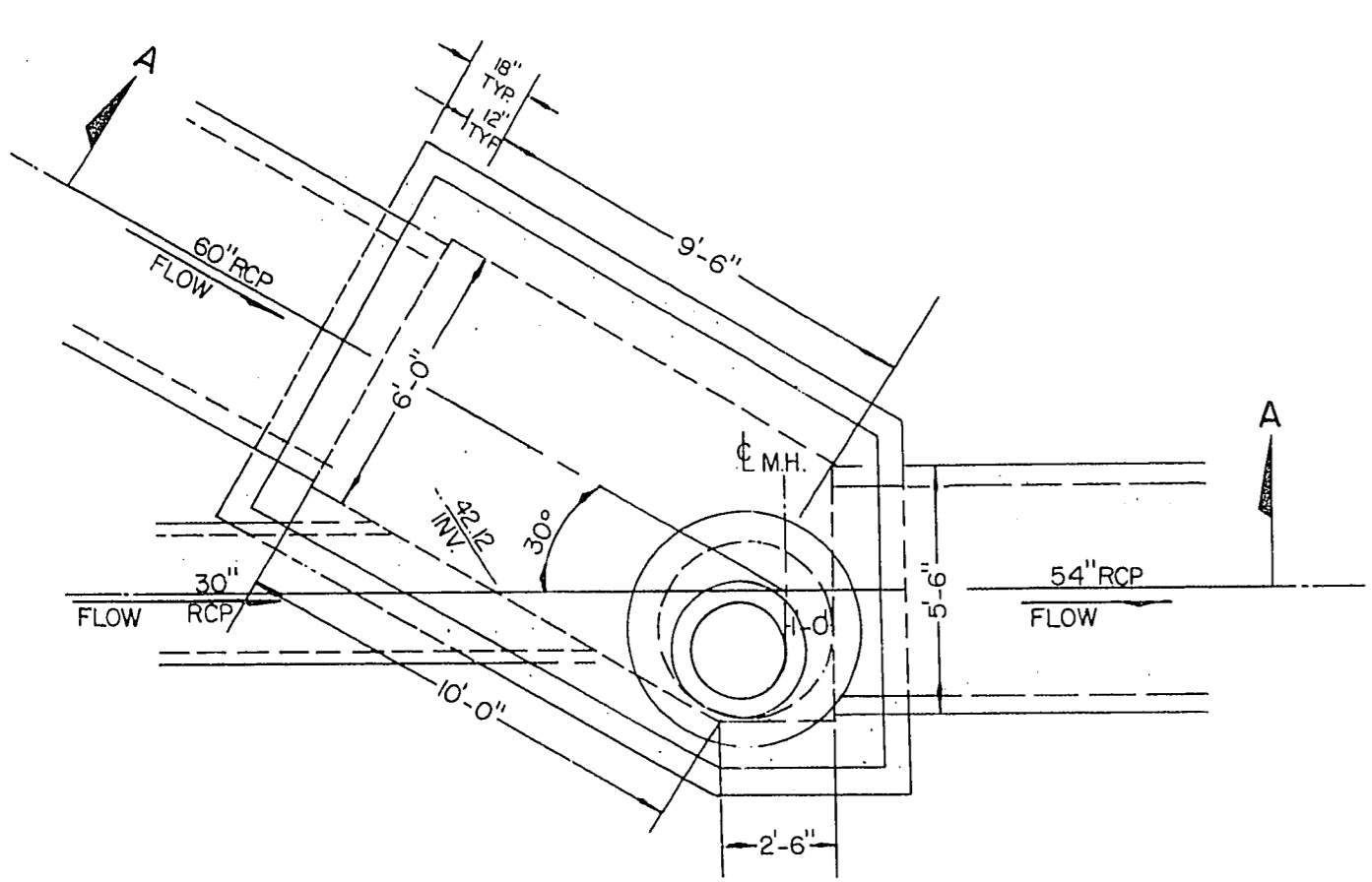
TRENCH BACKFILL & COLD PLANTMIX PLACEMENT DETAIL
COLD PLANTMIX SHALL BE USED ABOVE ALL TRENCHES EXCEPT AS SHOWN AT LEFT. N.T.S.



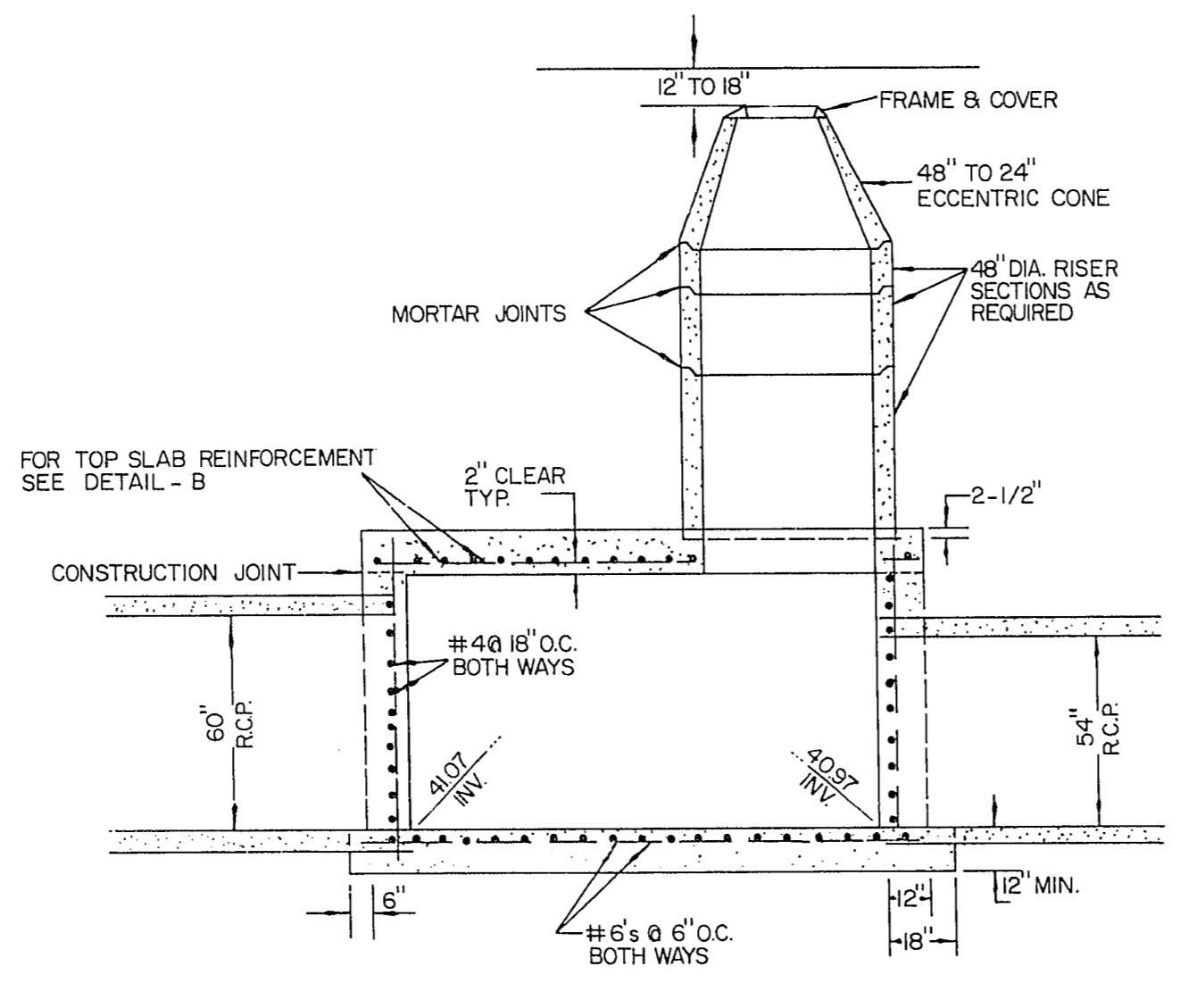
PLAN VIEW
N.T.S.



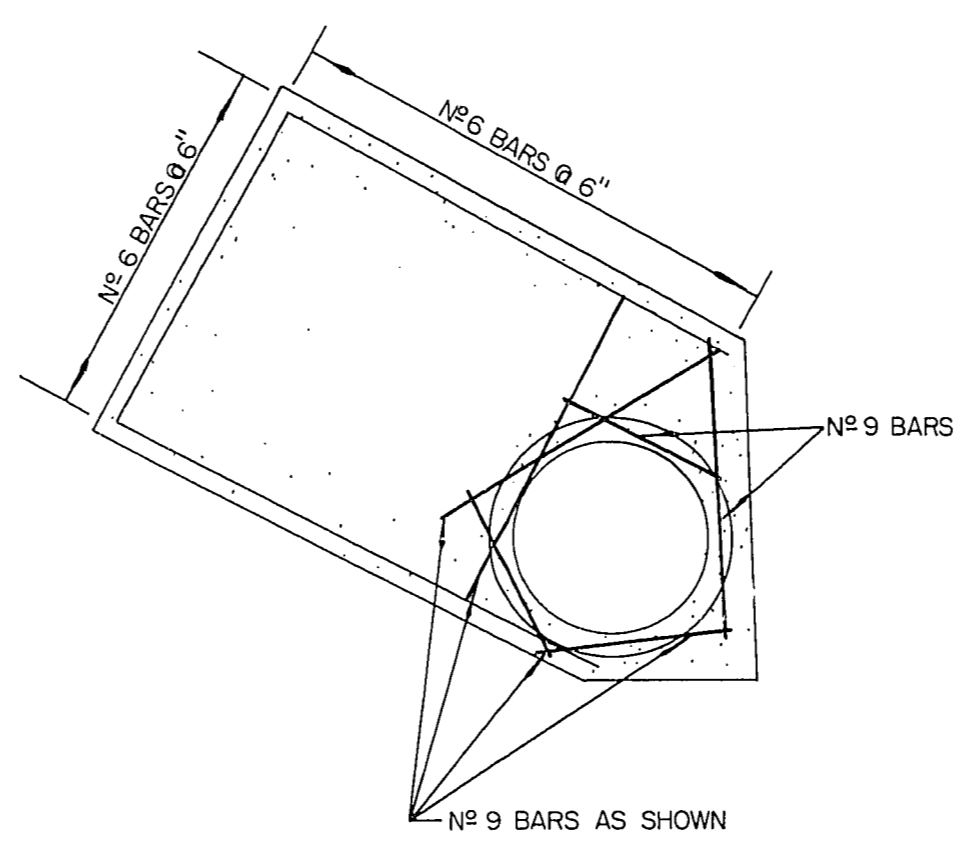
SECTION A-A
N.T.S.



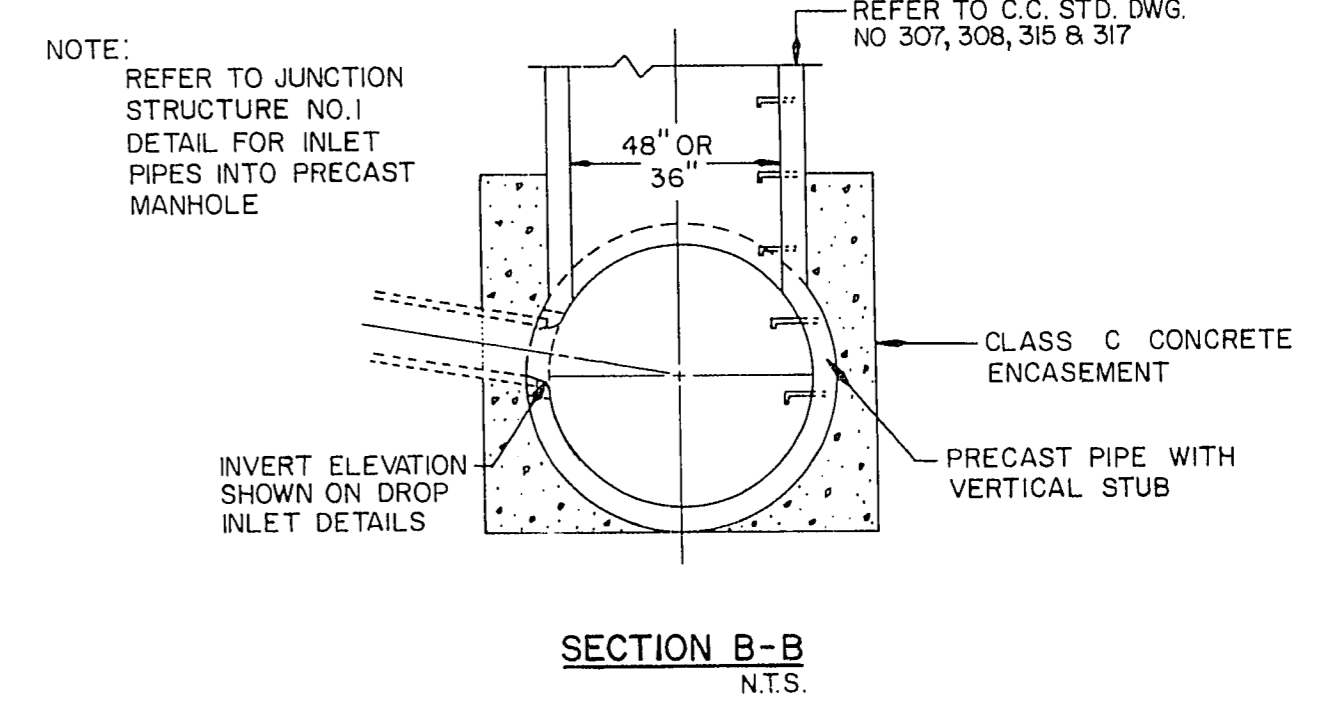
MODIFIED TYPE II CAST-IN-PLACE MANHOLE (JUNCTION M.H.)
SMOKE RANCH STA. 7+75.00 5' LT. N.T.S.



SECTION A-A
N.T.S.



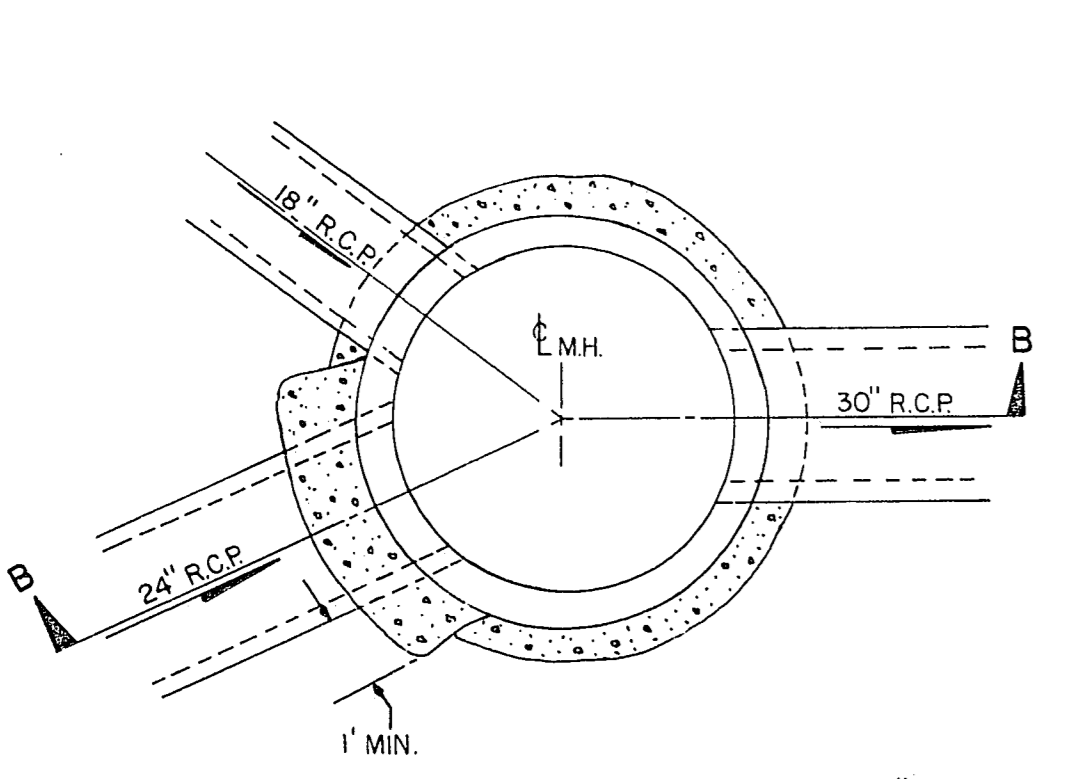
DETAIL-B TOP SLAB REINFORCEMENT
N.T.S.



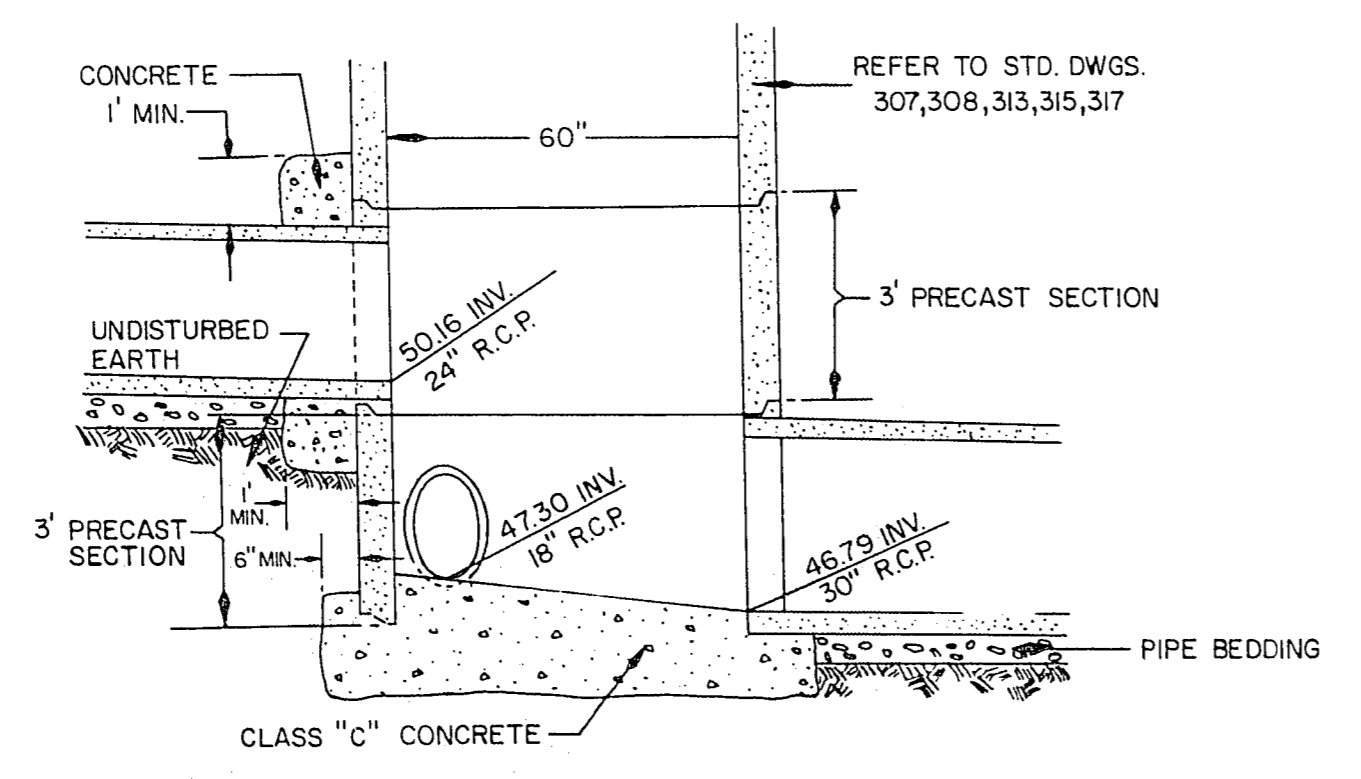
SECTION B-B
N.T.S.

NOTE:
REFER TO JUNCTION STRUCTURE NO. 1 DETAIL FOR INLET PIPES INTO PRECAST MANHOLE

REFER TO C.C. STD. DWG. NO. 307, 308, 313 & 317



60" ECCENTRIC DROP MANHOLE
MANHOLE NO. 3
SMOKE RANCH STA. 6+3500, 5' LT. N.T.S.



SECTION B-B
N.T.S.

William F. Peckington
3/5/87

REV. NO.	DATE	DESCRIPTION	APPROVED

DESIGNED BY: *W. Peckington, K. Lambert*
DRAWN BY: *CHC*
CHECKED BY: *William F. Peckington*

CLARK COUNTY NEVADA
DEPARTMENT OF PUBLIC WORKS

SMOKE RANCH ROAD
STORM DRAIN DETAILS

SCALE	HORIZ.: N.T.S. VERT.: N.T.S.	DRAWING NO.
PROJECT NO.	830524R	L-750A
FIELD BOOK	281,341,595,596	SHT. 13 OF 13