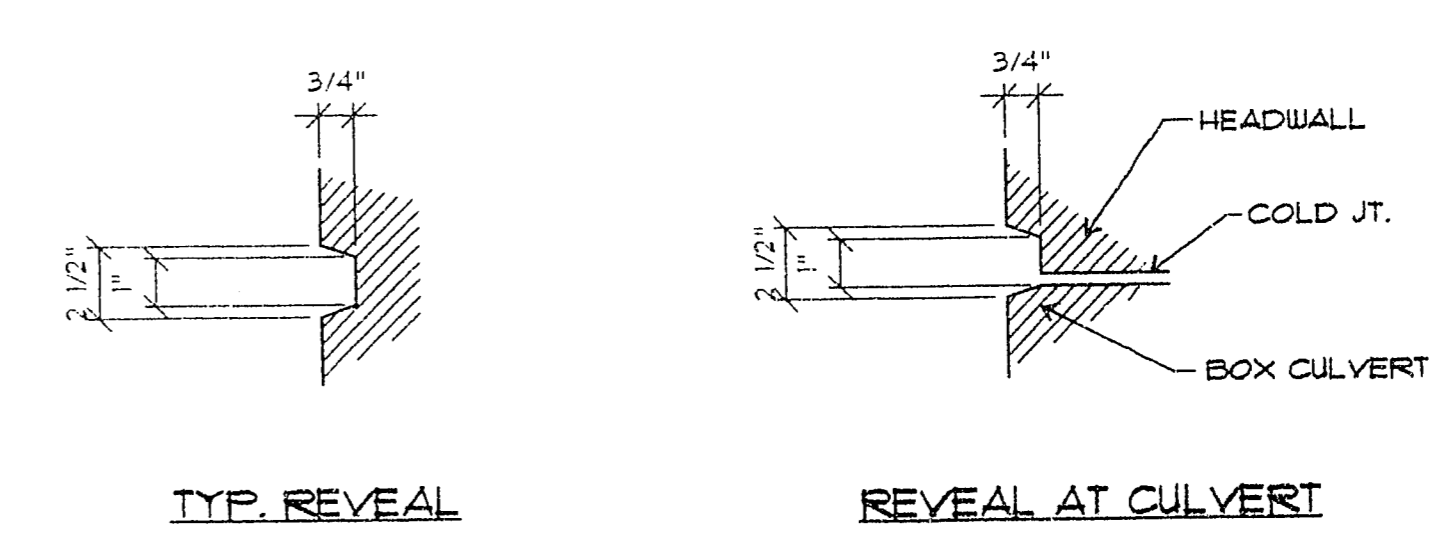
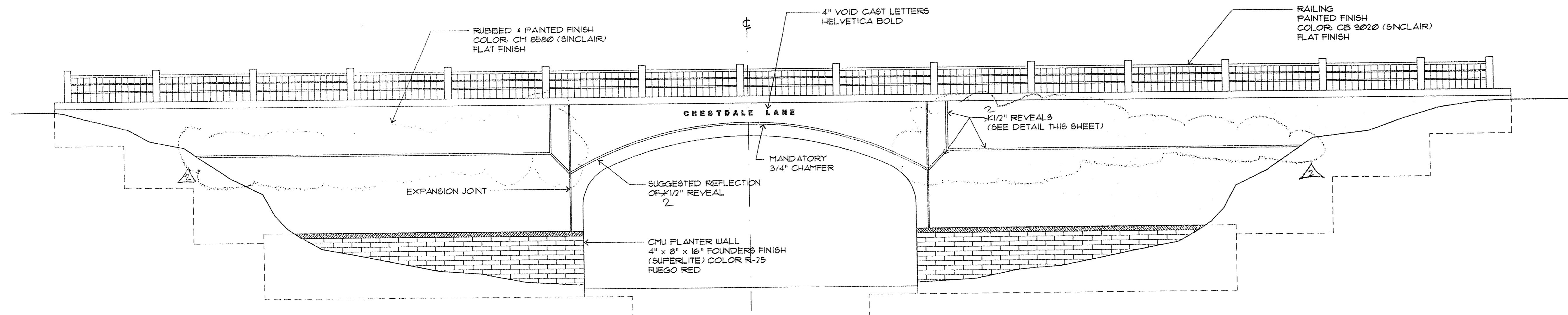
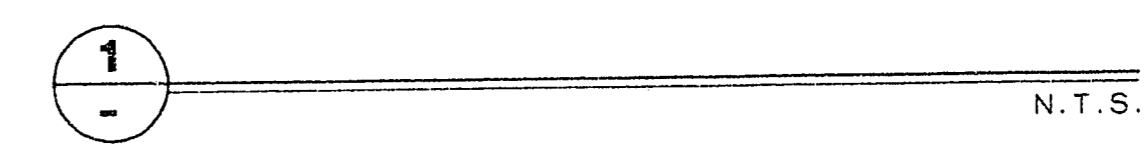


DRAWING NAME: COBRAELY LATEST REVISION DATE: 6-13-94



BRIDGE ELEVATION

1/4" = 1'-0"



DESIGN BY: LRC
CHECKED BY: RED
JOB NUMBER: 178-005-941
DATE: 6-11-94
DESIGNED BY: CLS
REVISION: A 1/14/94 AS S. HOBAN
B 3/14/94 AS S. HOBAN

L. R. NELSON CONSULTING ENGINEERS, INC.
3035 East Patrick Lane Suite 9
Las Vegas, Nevada 89120
(702) 798-7978
(702) 451-2286 FAX

KEITH COMPANY
SUMMERLIN VILLAGE 7 UNIT II - CRESTDALE RD. BRIDGE
ARCHITECTURAL ELEVATION

48
OF SHEETS
178-005-941
1074-4271-2

10-110