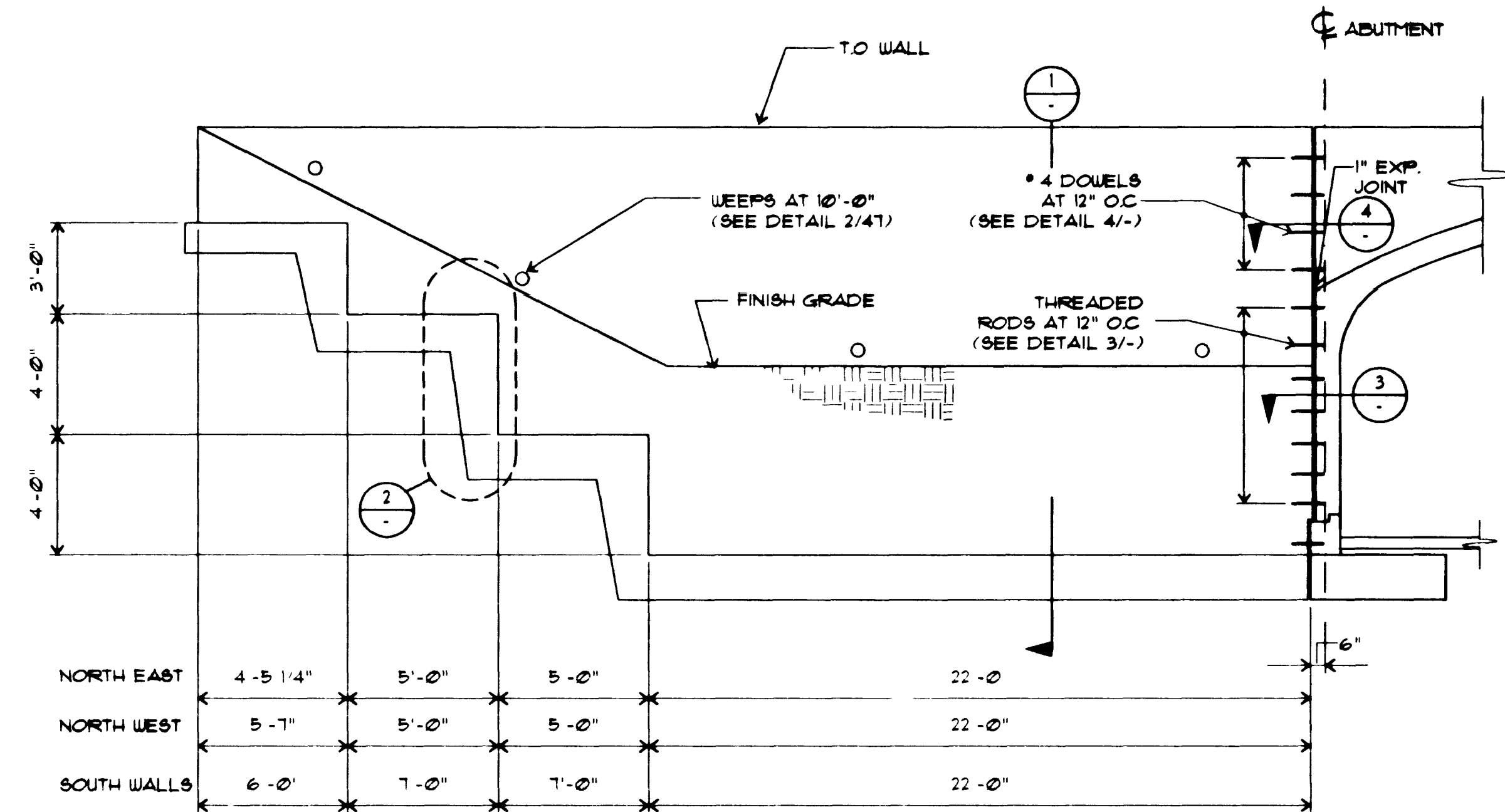
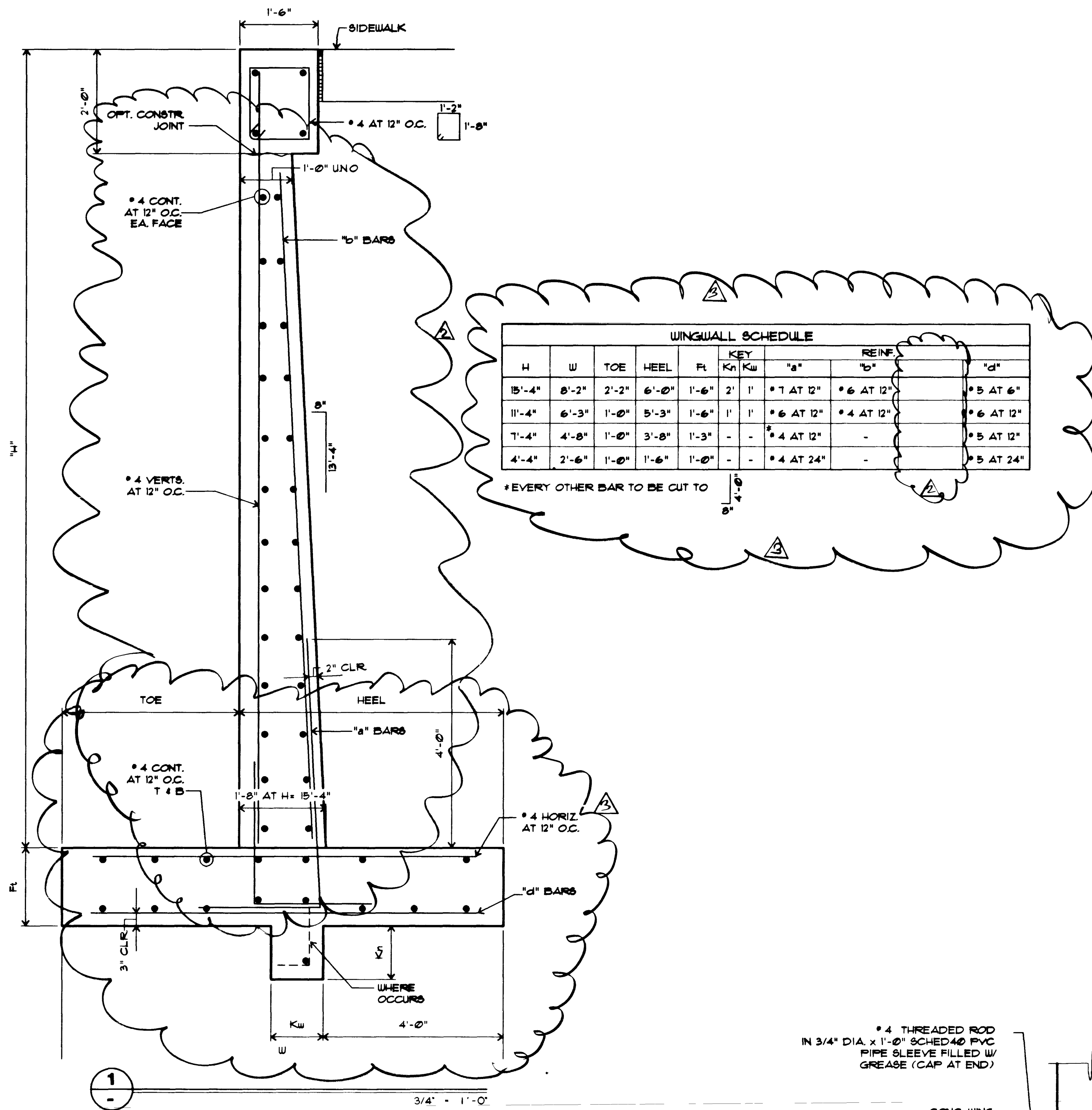
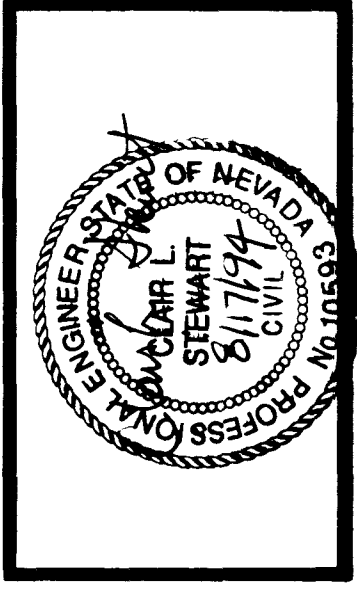
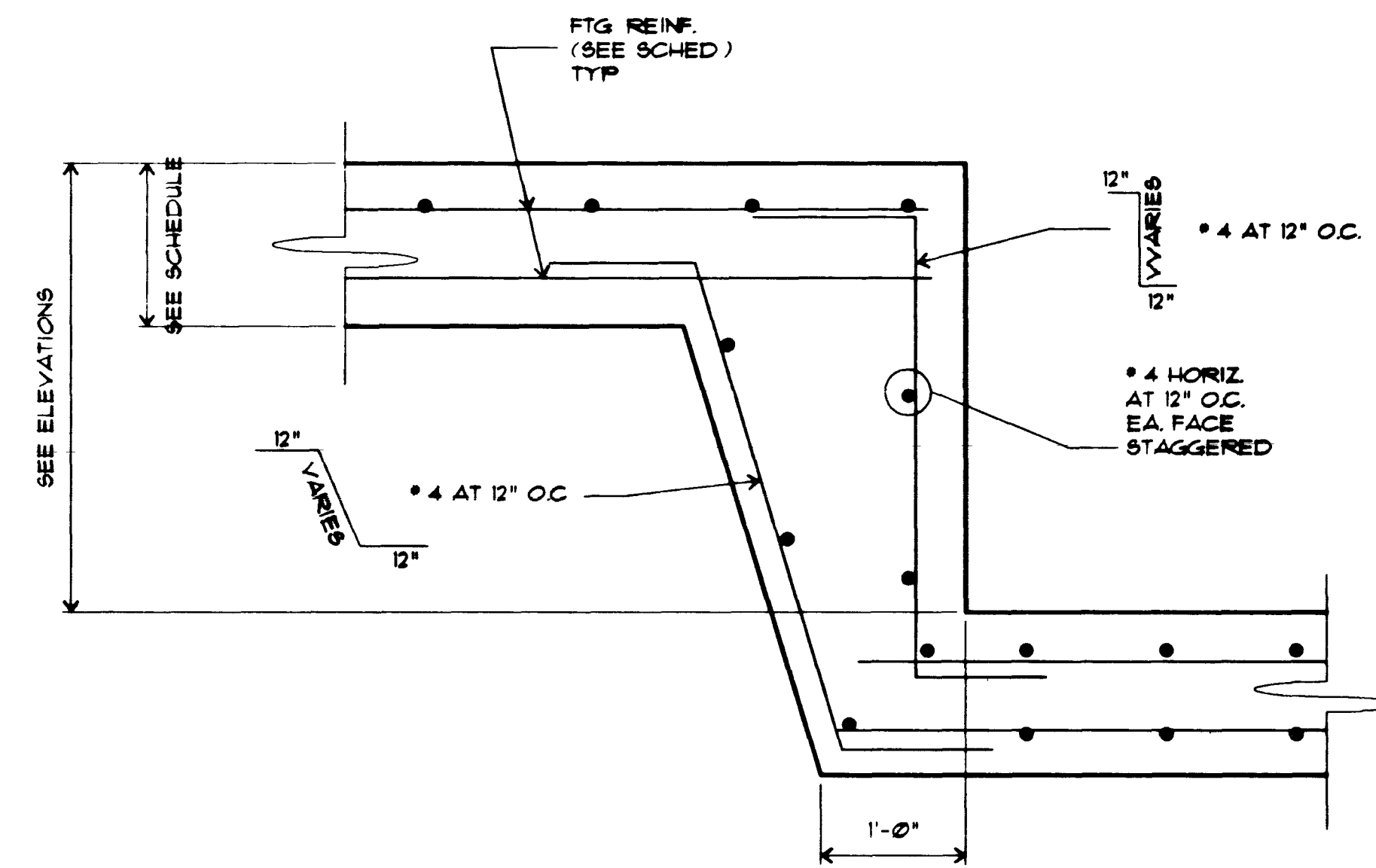
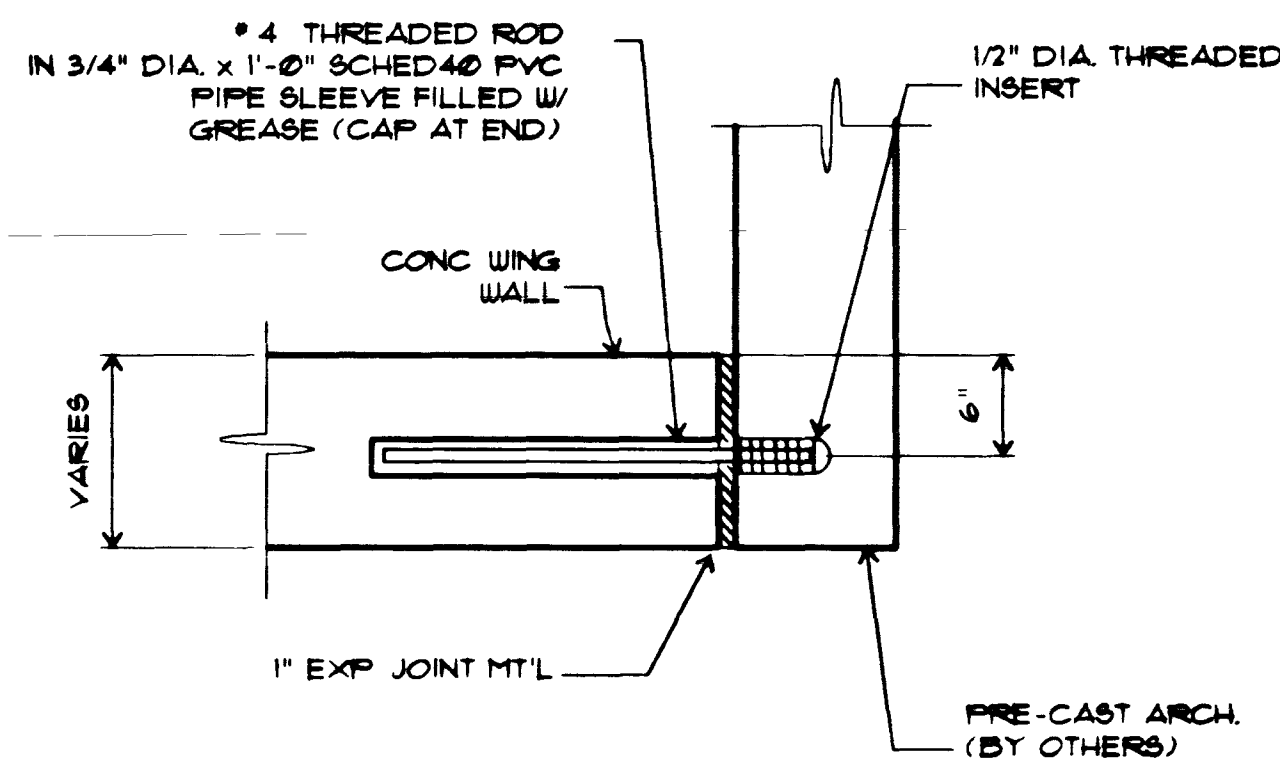
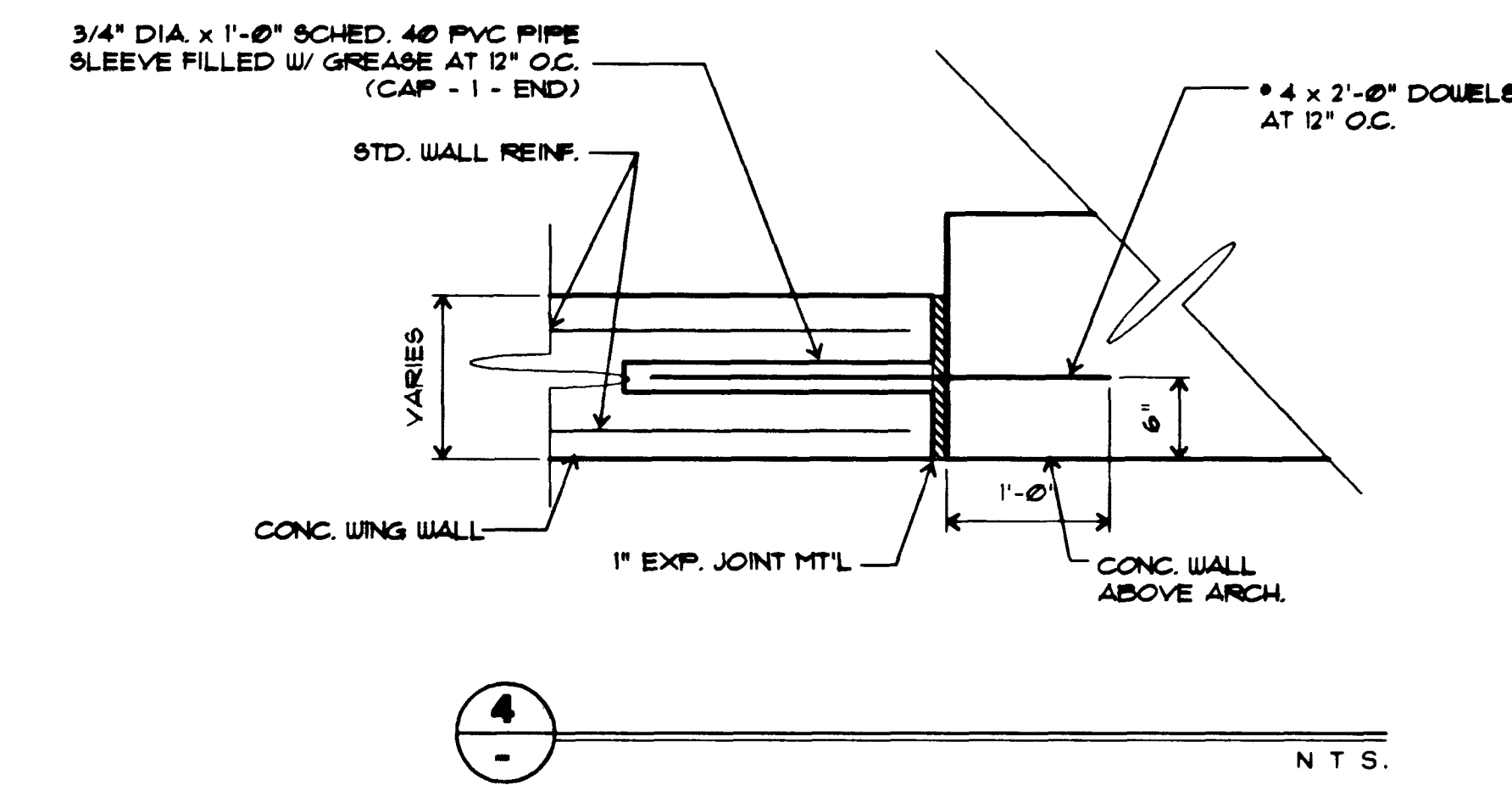


DRAWING NAME: COBBEHWI  
LATEST REVISION DATE: 3-14-94



WING WALL ELEVATION

NORTH EAST	4'-5 1/4"	5'-0"	5'-0"	22'-0"
NORTH WEST	5'-1"	5'-0"	5'-0"	22'-0"
SOUTH WALLS	6'-0"	7'-0"	7'-0"	22'-0"



DRAWN BY: LRC  
CHECKED BY: RED  
JOB NUMBER: 178-005-941  
DATE: 3-14-94  
DESIGNED BY: CLS  
REVISION: 6-8-94 AS SHOWN  
REVISION: 8-4-94 AS SHOWN  
REVISION: 8-15-94 REV. IN WALL DIM

**L. R. NELSON CONSULTING ENGINEERS, INC.**  
3035 East Patrick Lane Suite 9  
Las Vegas, Nevada 89120  
(702) 798-7978  
(702) 451-2296 FAX

• STRUCTURAL  
• CIVIL  
• SURVEY

**KEITH COMPANY**  
SUMMERLIN VILLAGE 7 UNIT II - CRESTDALE RD. BRIDGE  
WING WALL ELEVATION & DETAILS

46  
OF 4 SHEETS

