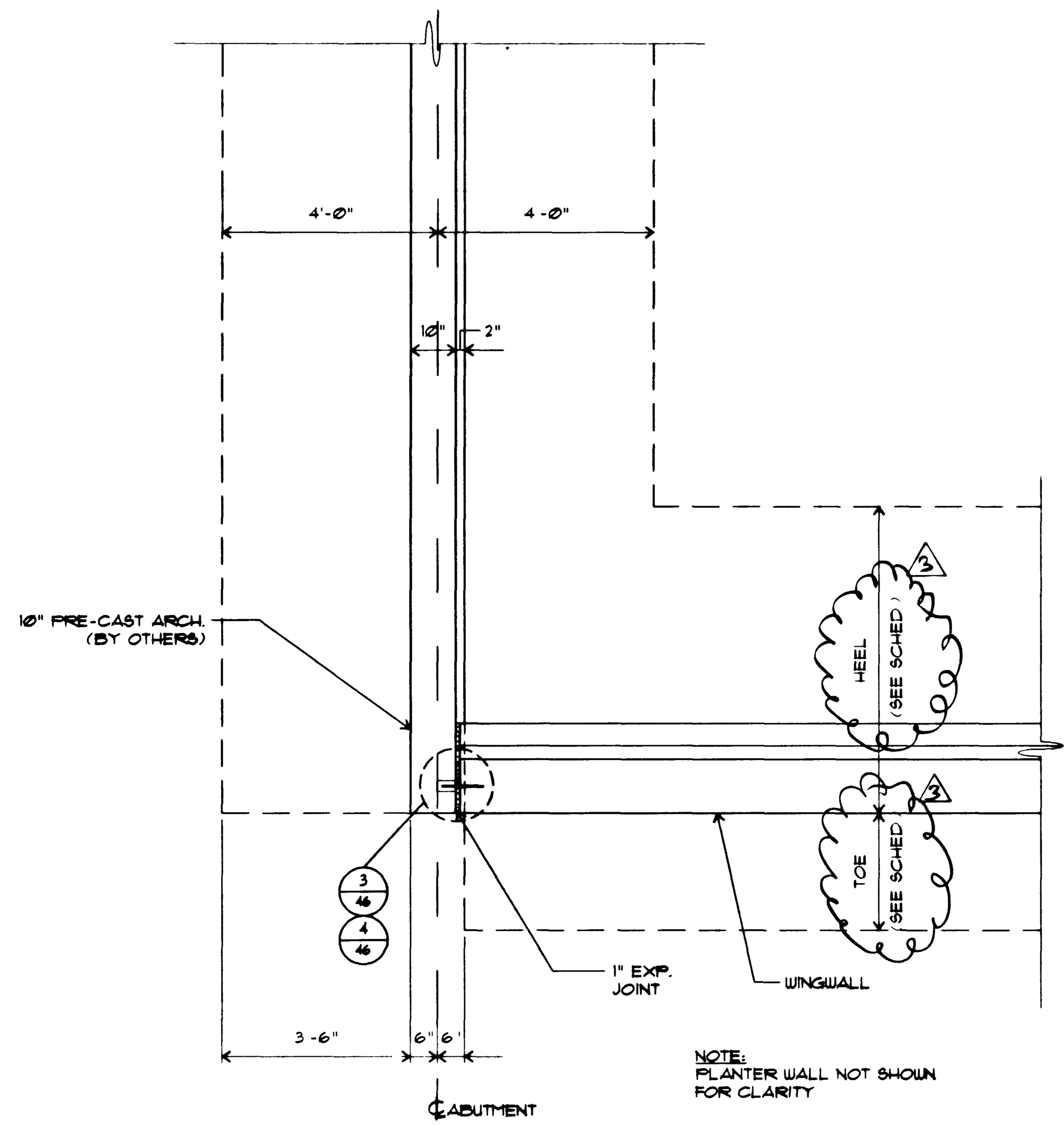
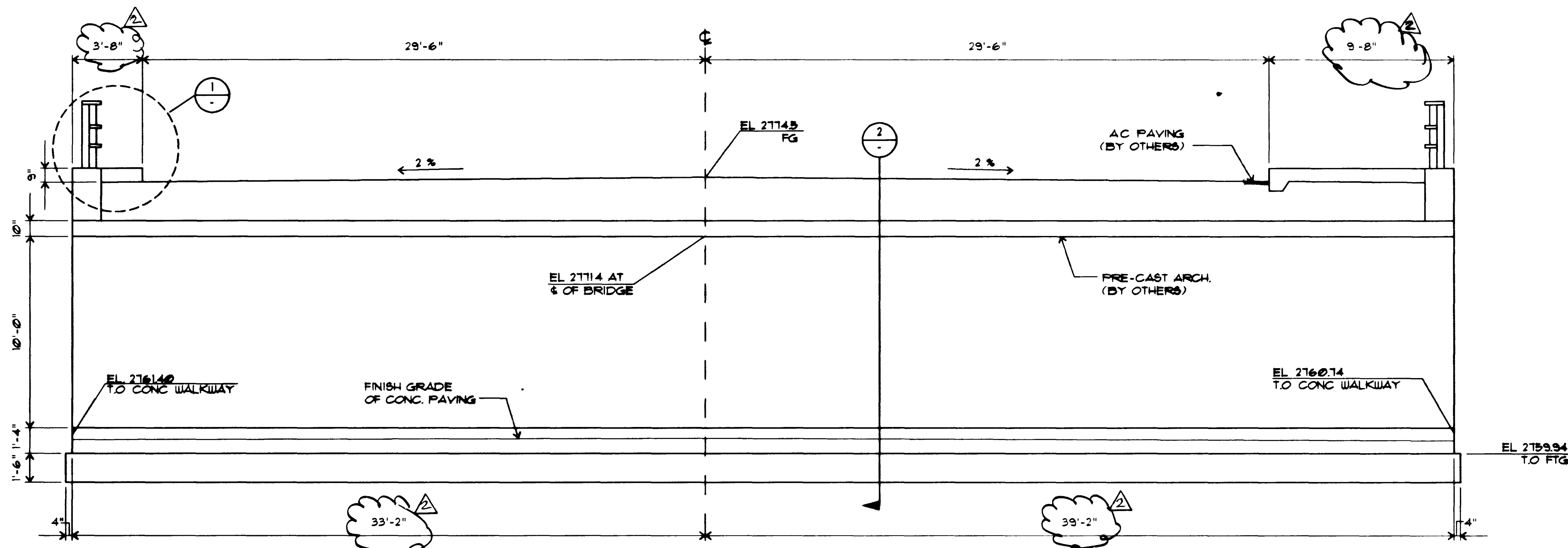
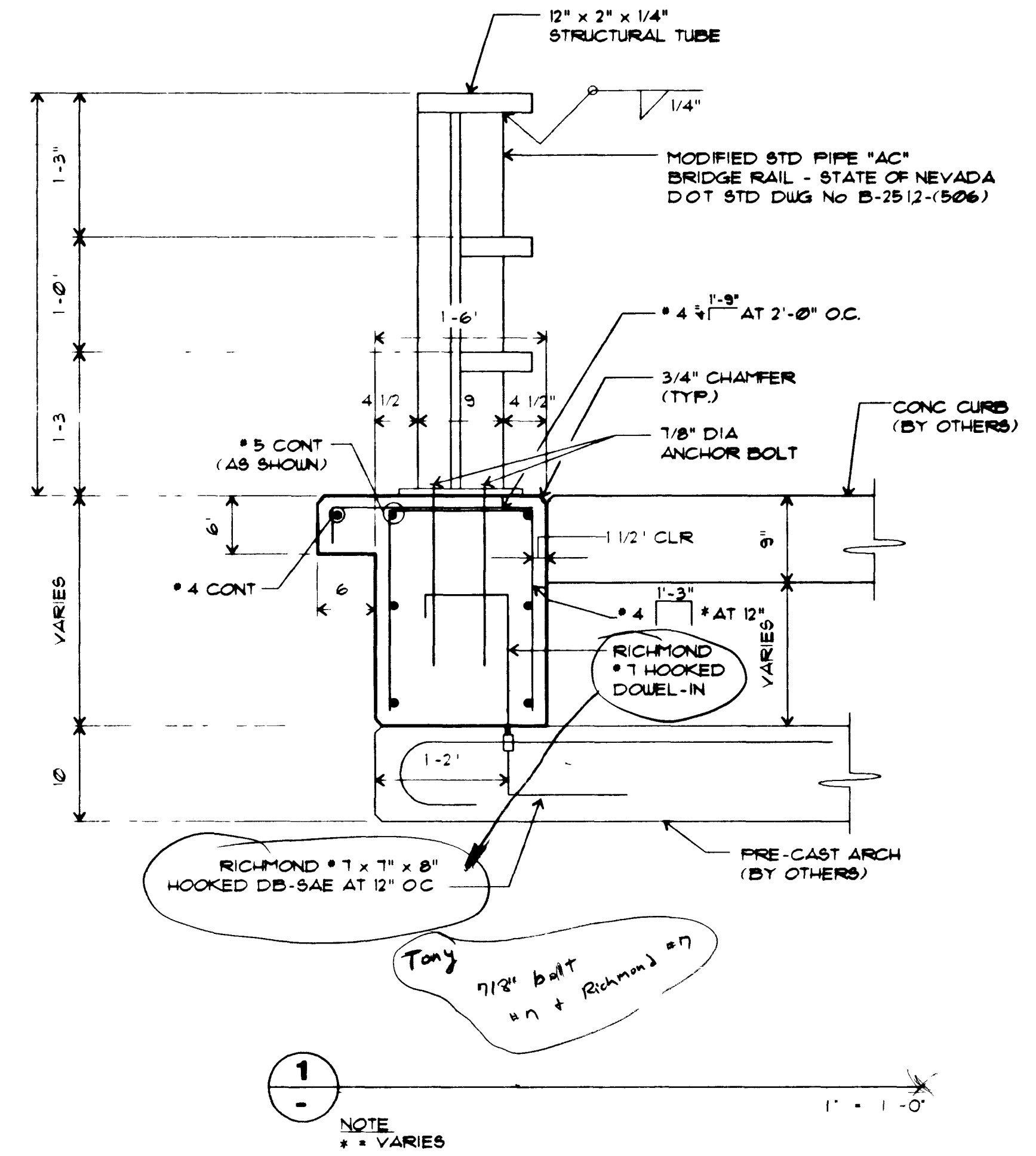
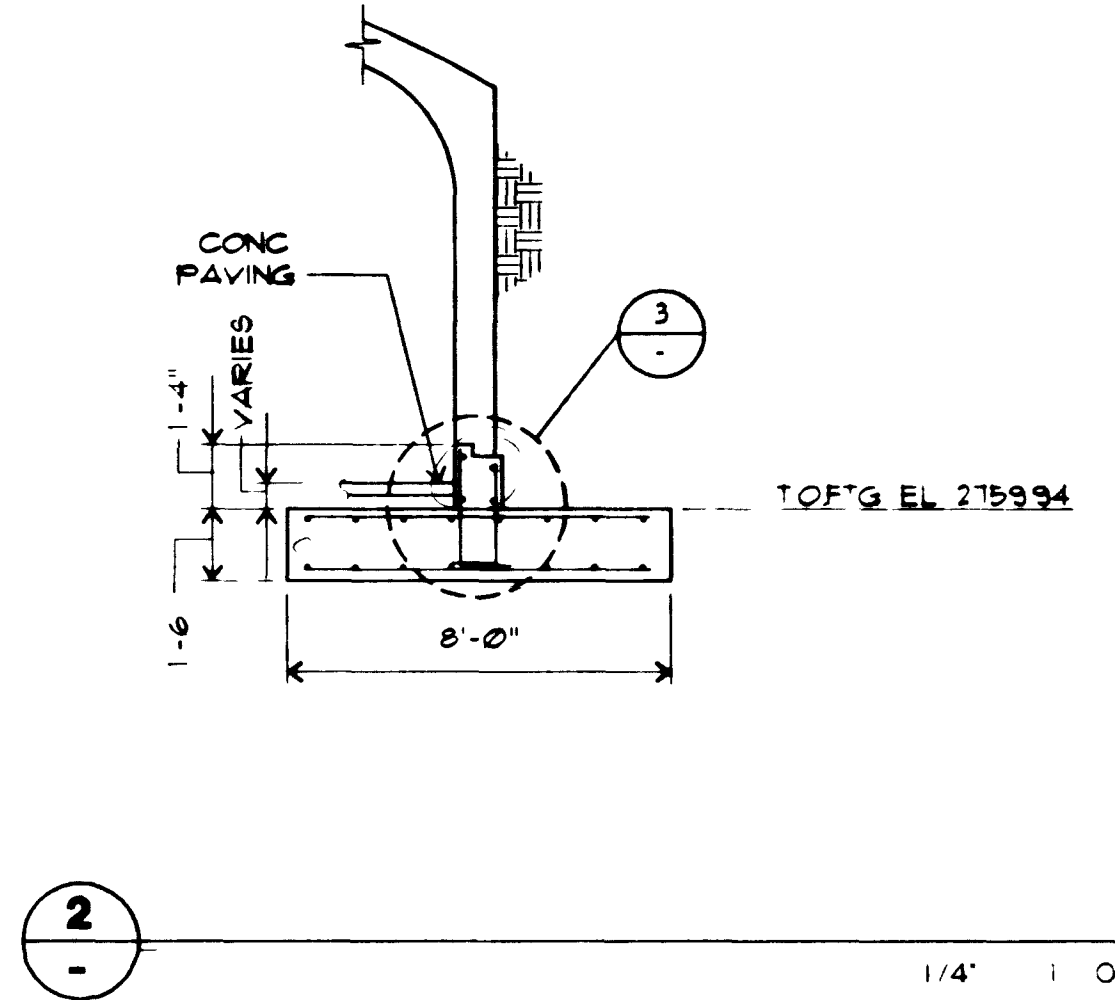


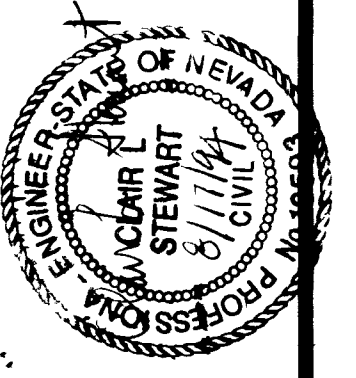
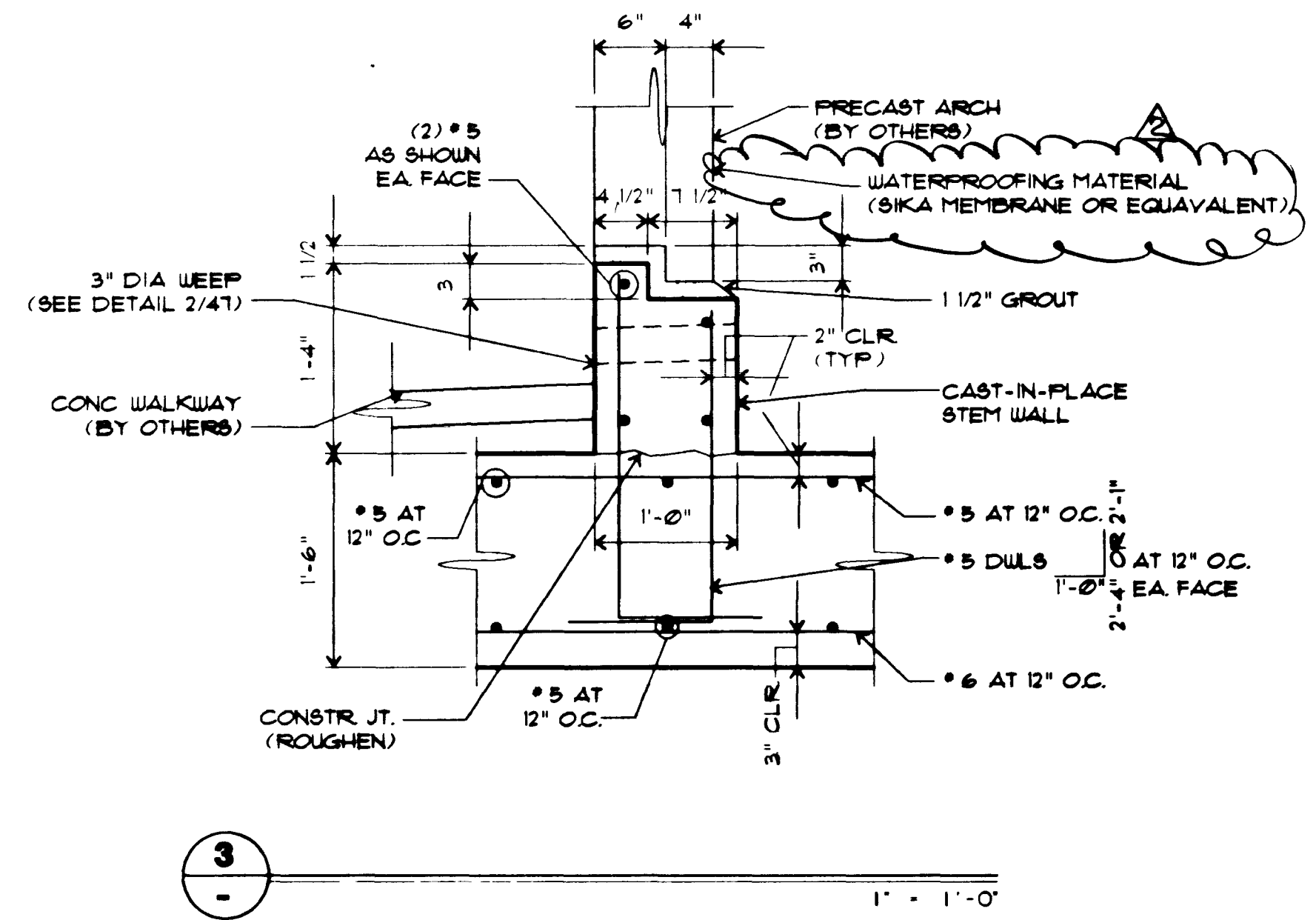
DRAWING NAME: CUBBERWALL LATEST REVISION DATE: 8-15-94



ABUTMENT/WINGWALL PLAN



ABUTMENT ELEVATION (C OF TUNNEL LOOKING NORTH)



DRAWN BY	LRC
CHECKED BY	RED
JOB NUMBER	178-005-941
DATE	3-14-94
DESIGNED BY	CLS
REVISION	6-8-94 AS SHOWN
	8-4-94 AS SHOWN
	8-15-94 AS SHOWN

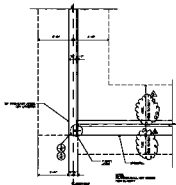
L. R. NELSON CONSULTING ENGINEERS, INC.
 3035 East Patrick Lane Suite 9
 Las Vegas, Nevada 89120
 (702) 798-7978
 (702) 451-2296 FAX

KEITH COMPANY
 SUMMERLIN VILLAGE 7 UNIT II - CRESTDALE RD. BRIDGE
 ABUTMENT ELEVATION & DETAILS

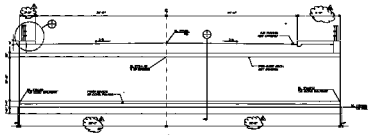
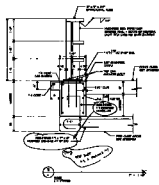
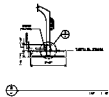
45
 OF 4 SHEETS

July 7369 11-2-107

178-005-941
 107Y-4271-2



ABUTMENT/WINGWALL PLAN



ABUTMENT ELEVATION (S OF TUNNEL LOOKING NORTH)



U.S. RECLAMATION SERVICE
 OFFICE OF THE DISTRICT ENGINEER
 DENVER, COLORADO

U. S. RECLAMATION SERVICE
 DISTRICT ENGINEER
 DENVER, COLORADO
 PROJECT NO. 100-10-100
 SHEET NO. 45

REITH COMPANY
 ENGINEERS AND ARCHITECTS
 100-10-100
 ABUTMENT ELEVATION & DETAILS

7/20/11 11-2-11

100-10-100