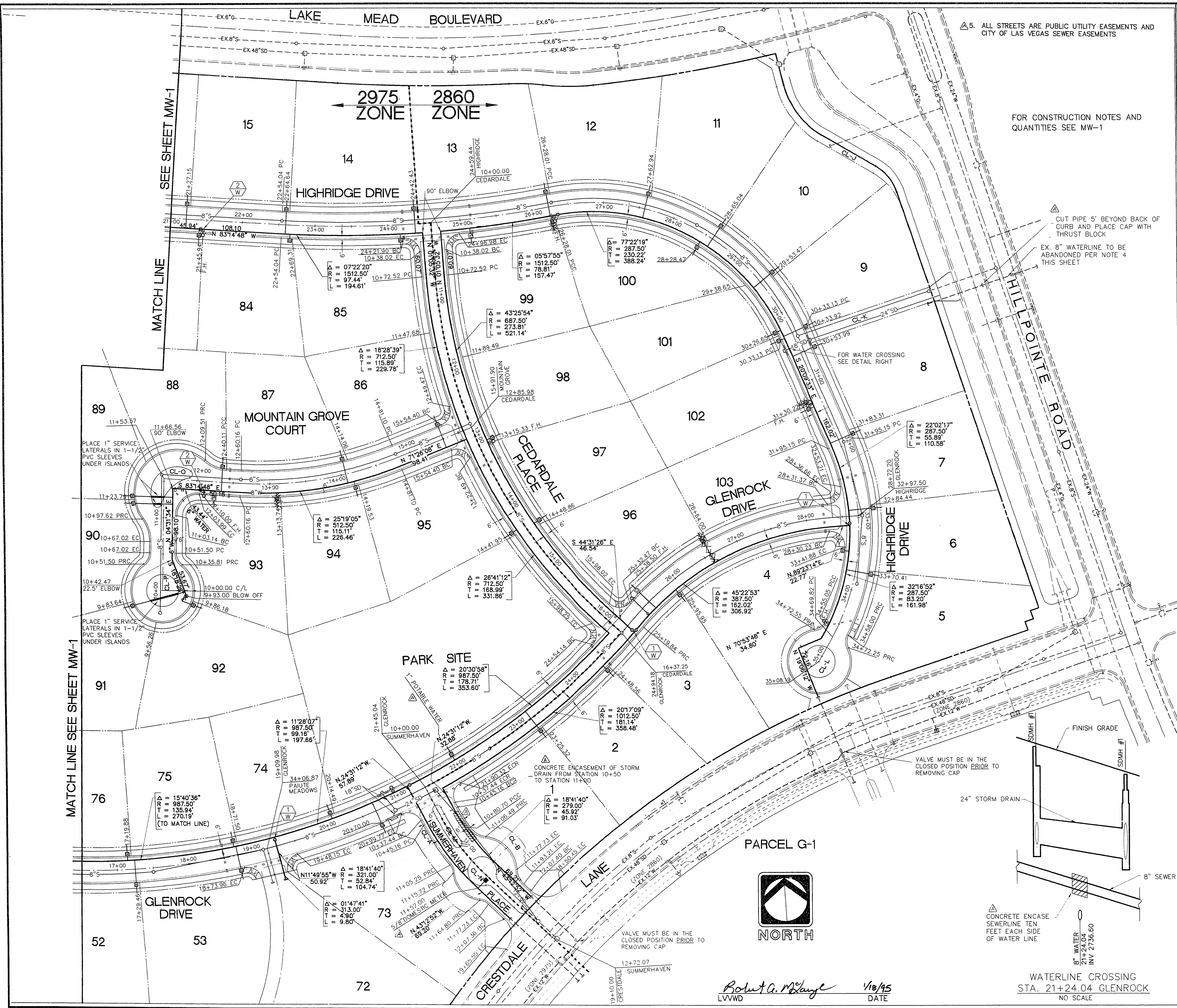


3. S:\MPS\101510\DWG2 Tue Jan 17 09:42:13 1995 SHARED 1-9. WHITEOUT 10. SOLID 11 & LP- 486-50410
HP 2853101; 6001. HP-G/2 ADI; 4.2 plotter driver by Hewlett-Packard 1.0

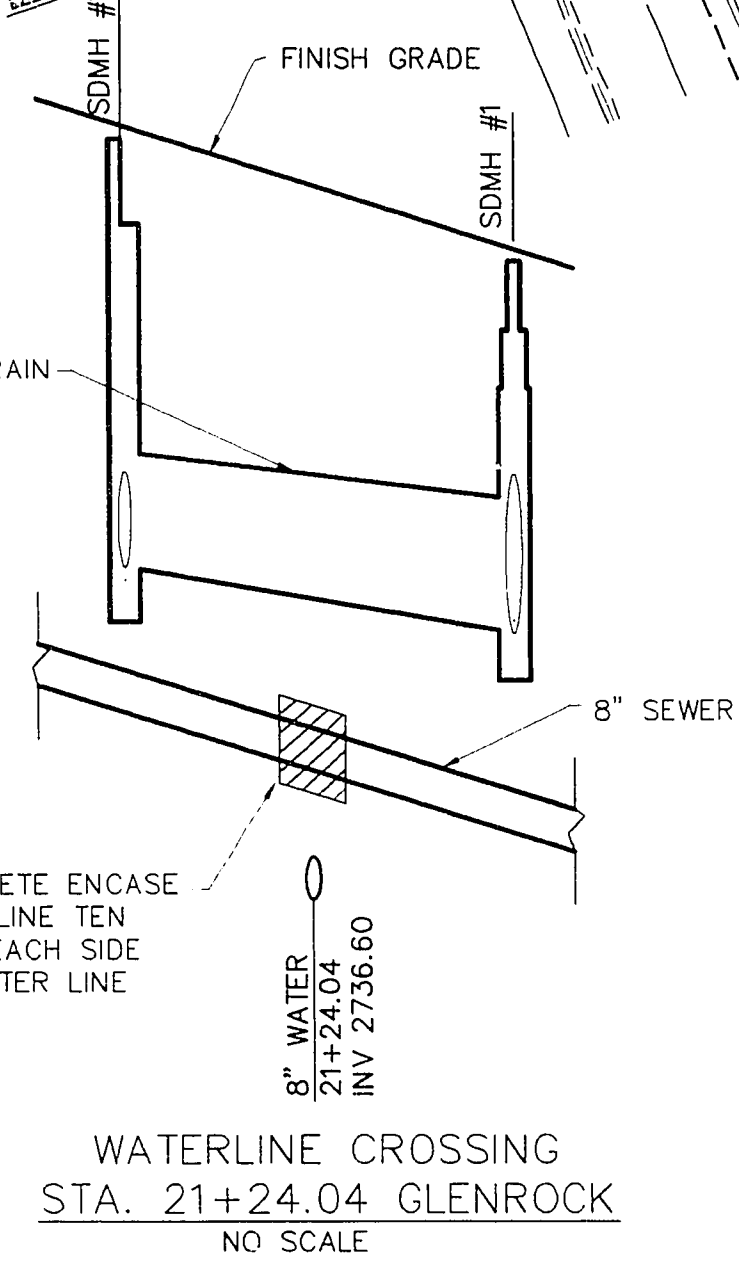
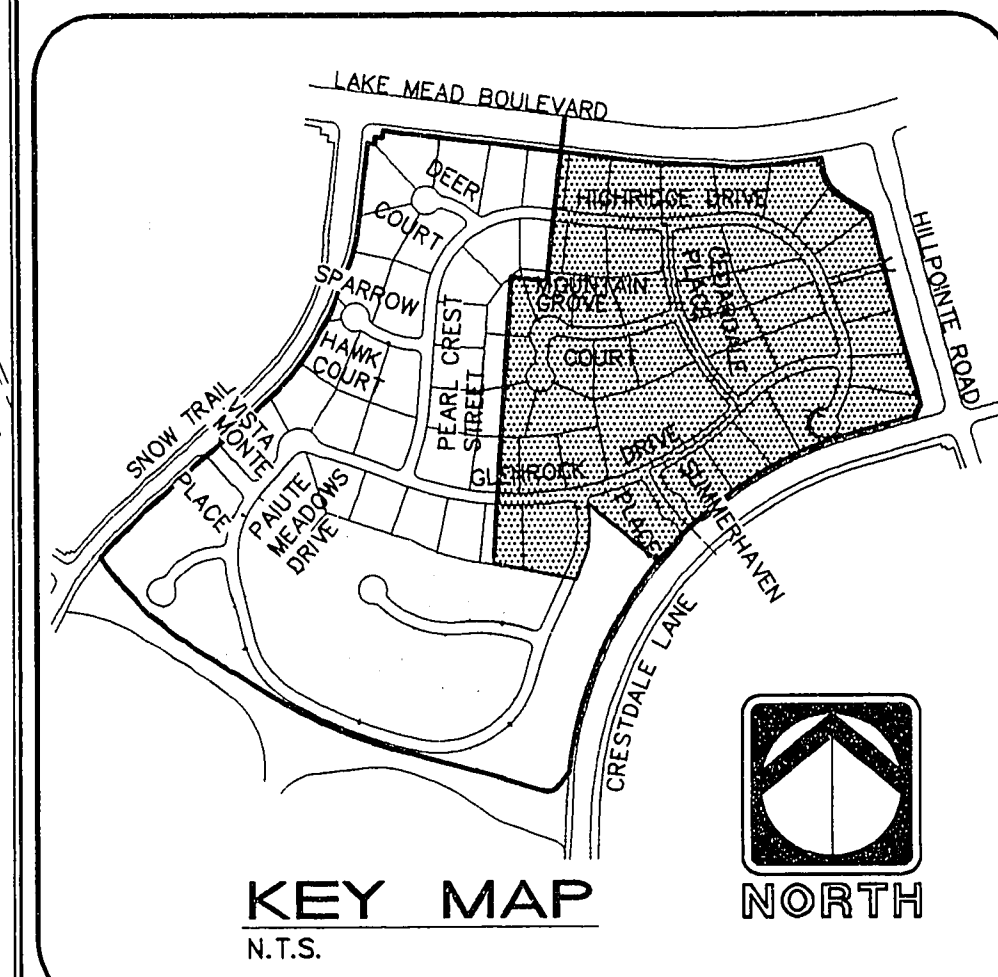
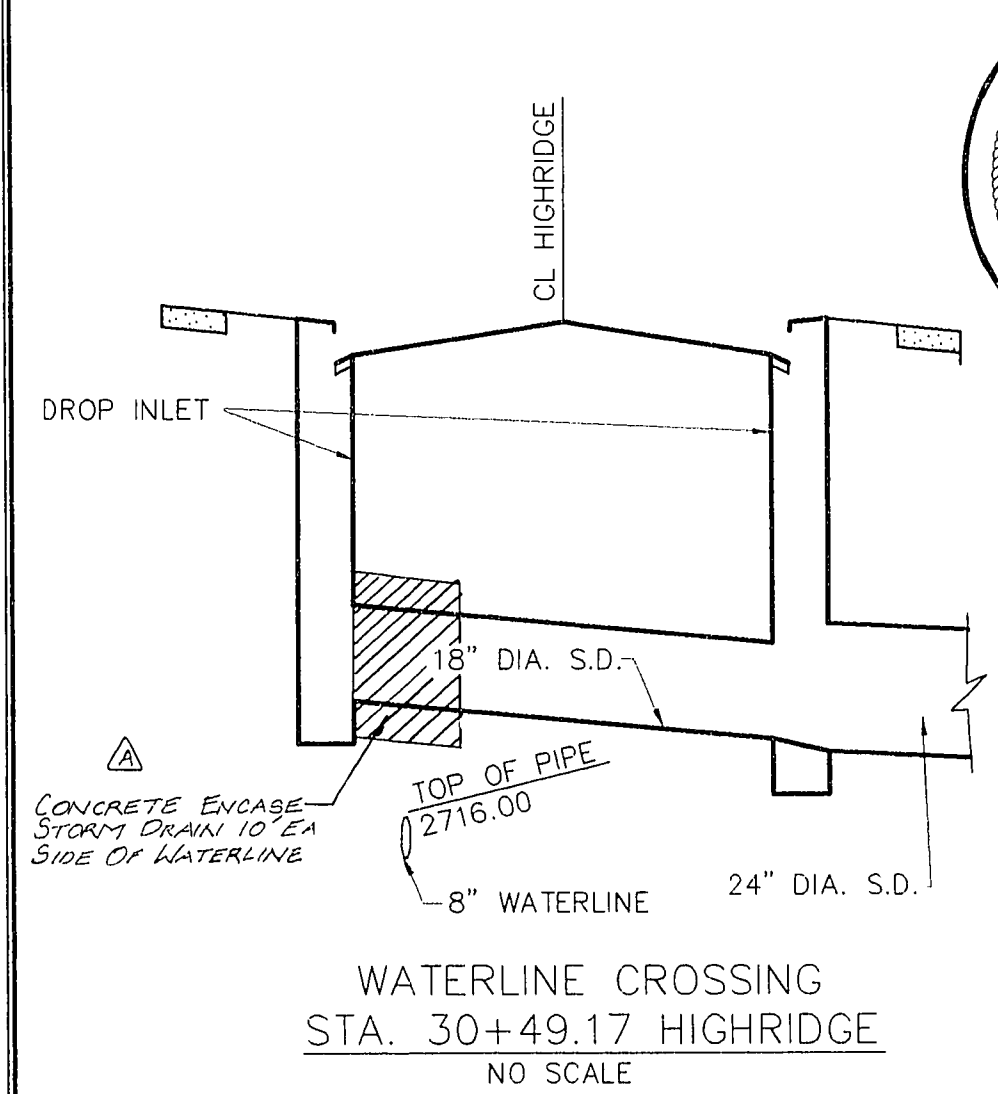


5. ALL STREETS ARE PUBLIC UTILITY EASEMENTS AND CITY OF LAS VEGAS SEWER EASEMENTS

FOR CONSTRUCTION NOTES AND QUANTITIES SEE MW-1

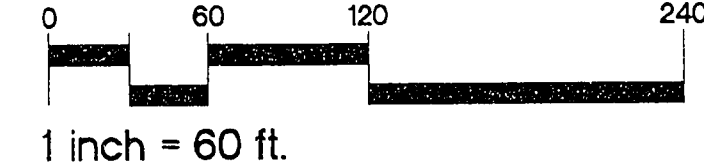
CUT PIPE 5' BEYOND BACK OF CURB AND PLACE CAP WITH THRUST BLOCK
EX. 8" WATERLINE TO BE ABANDONED PER NOTE 4 THIS SHEET

- NOTES:
- MINIMUM FIRE-FLOW REQUIREMENTS, PER UFC IN 2250 GPM FOR 2 HOURS BASED ON MAXIMUM ALLOWABLE HOME SIZE OF 10,000 SF FOR THIS SITE.
 - THIS PROPERTY MAY HAVE STATIC WATER PRESSURE IN EXCESS OF 80 PSI. THE UNIFORM PLUMBING CODE REQUIRES THAT INDIVIDUAL, ON-SITE (PRIVATE), PRESSURE REDUCING VALVES BE INSTALLED WHENEVER THE PRESSURE EXCEEDS 80 PSI. PRV'S ARE THE DEVELOPER'S RESPONSIBILITY AND WILL NOT BE INSPECTED OR INCLUDED IN THE ACCEPTANCE OF LVWD FACILITIES.
 - REDUCED PRESSURE PRINCIPLE ASSEMBLY**
APPROVED REDUCED PRESSURE PRINCIPLE ASSEMBLY(S) PER THE DISTRICT'S STANDARD PLATE NO. 11. NO WATER SHALL BE TAKEN FROM A SERVICE REQUIRING BACKFLOW PREVENTION UNTIL THE REDUCED PRESSURE PRINCIPLE ASSEMBLY HAS BEEN SUCCESSFULLY TESTED BY THE LVWD.
ANY BLOCK WALL OR OTHER FENCE MATERIAL SHALL BE DESIGNED AND CONSTRUCTED AROUND THE OUTSIDE OF THE EASEMENT(S), SO AS TO ALLOW THE DISTRICT DIRECT ACCESS FROM THE ADJACENT RIGHT-OF-WAY.
 - ABANDONED VALVE CUT AND CAP**
ALL VALVES TO BE ABANDONED IN THE CLOSED POSITION UNLESS SHOWN OTHERWISE, BY REMOVING A MINIMUM OF THE TOP 12 INCHES OF THE VALVE BOX AND THEN FILLING THE REMAINING PORTION OF THE VALVE BOX WITH CONCRETE HAVING A COMPRESSIVE STRENGTH OF AT LEAST 2000 PSI.



RECOMMENDED	DATE	DESCRIPTION	DATE	APPROVAL
1-10-95				

ENGINEER: THE KEITH COMPANIES NEVADA
 4852 SO. INDUSTRIAL RD. LAS VEGAS, NV 89103 (702) 735-0950
 SUMMERLIN VILLAGE 7
 HALF ACRES - MOUNTAIN TRAILS
 WATER IMPROVEMENT PLAN
 (EAST PORTION)
 SHEET MW-2
 12-27-94 SHT 4 OF 27



11-19-208

567Y-4371