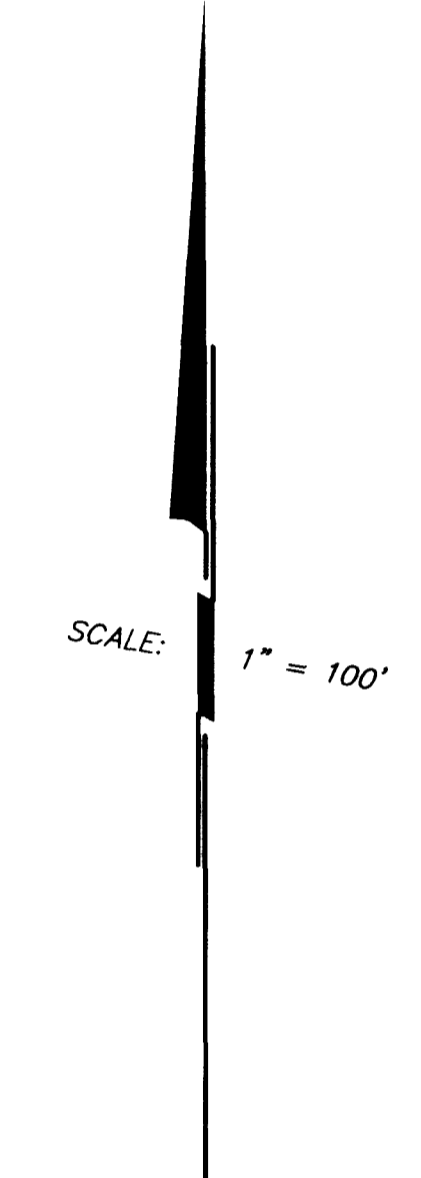
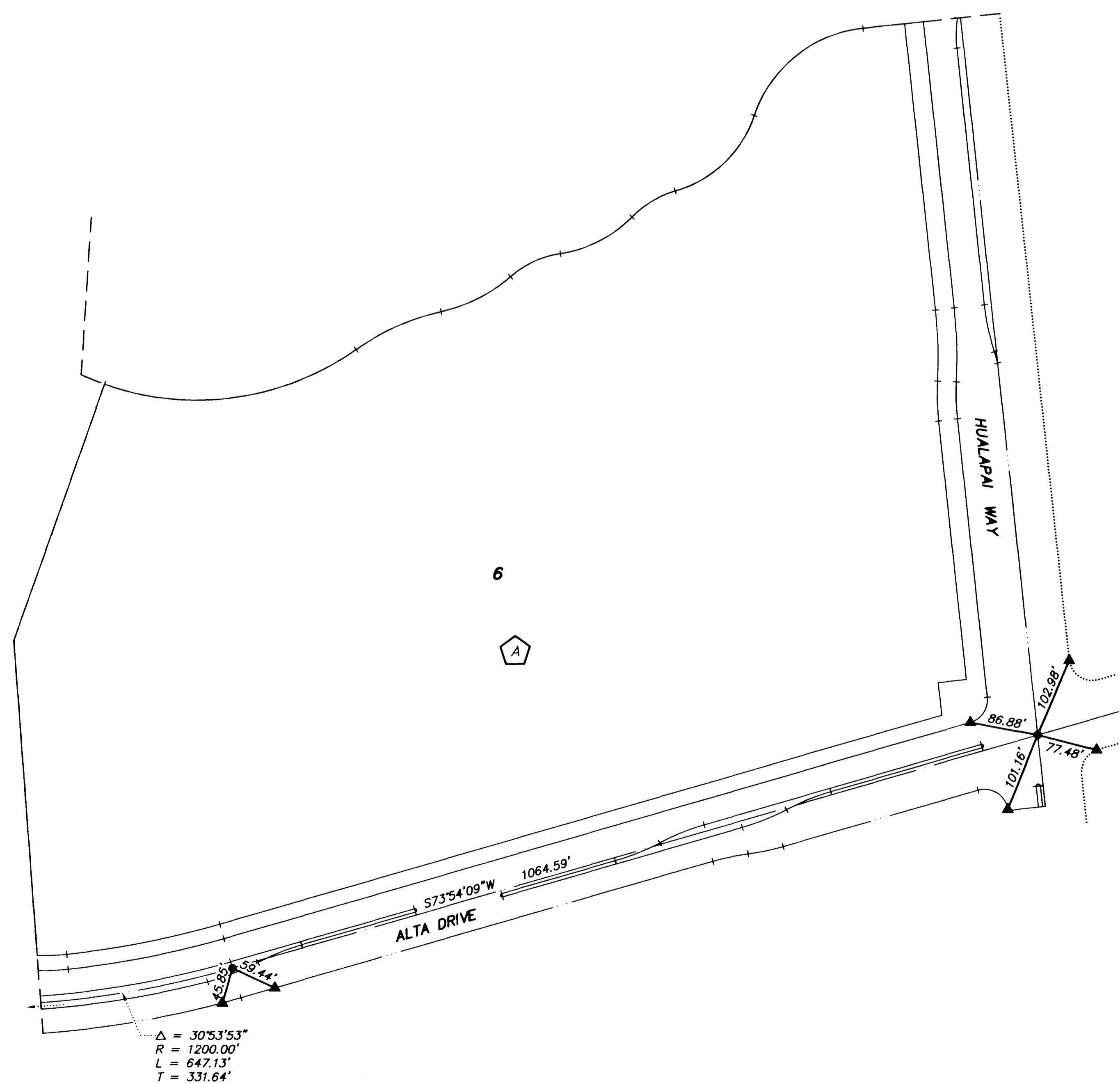


MONUMENT TIE MAP OF SUMMERLIN VILLAGE 3 UNIT NO. 2

A PLANNED COMMUNITY
BEING A SUBDIVISION OF A PORTION OF PARCEL 3 AS SHOWN BY MAP THEREOF ON FILE IN FILE 82, PAGE 64 OF PARCEL
MAPS AND A PORTION OF PARCEL 1 AS SHOWN BY MAP THEREOF ON FILE IN FILE 84, PAGE 70 OF PARCEL MAPS IN THE
CLARK COUNTY RECORDER'S OFFICE, CLARK COUNTY, NEVADA, LYING WITHIN SECTION 30, TOWNSHIP 20 SOUTH, RANGE 60 EAST,
AND WITHIN SECTIONS 25 AND 36, TOWNSHIP 20 SOUTH, RANGE 59 EAST, M.D.M., CITY OF LAS VEGAS, CLARK COUNTY, NEVADA

LEGEND	
▲	SET 2" ALUMINUM REFERENCE TIE IN TOP OF CURB, STAMPED PLS 11174
⊙	5/8" REBAR AND ALCAP STAMPED PLS 9390
●	SET 5/8" REBAR AND ALUM. CAP STAMPED P.L.S. 11174
1	LOT NUMBER
⬡	BLOCK NUMBER



6

⬡

MONUMENT THE MAP OF
SUMMERLIN VILLAGE 3 UNIT NO. 2
 A PLANNED COMMUNITY

BEING A SUBDIVISION OF A PORTION OF PARCEL 3 AS SHOWN BY MAP THEREOF ON FILE IN FILE 85, PAGE 84 OF PARCEL MAPS AND A PORTION OF PARCEL 1 AS SHOWN BY MAP THEREOF ON FILE IN FILE 84, PAGE 70 OF PARCEL MAPS IN THE CLARK COUNTY RECORDER'S OFFICE, CLARK COUNTY, NEVADA, LIVING WITHIN SECTION 30, TOWNSHIP 20 SOUTH, RANGE 06 EAST, AND WITHIN SECTIONS 28 AND 36, TOWNSHIP 20 SOUTH, RANGE 06 EAST, N.E.Q.A., CITY OF LAS VEGAS, CLARK COUNTY, NEVADA

- LEGEND**
- 5-CORNER POINT
 - 1/4 SECTION
 - ◻ 1/4 SECTION
 - 1 1/4 SECTION
 - ⊙ 1/4 SECTION

