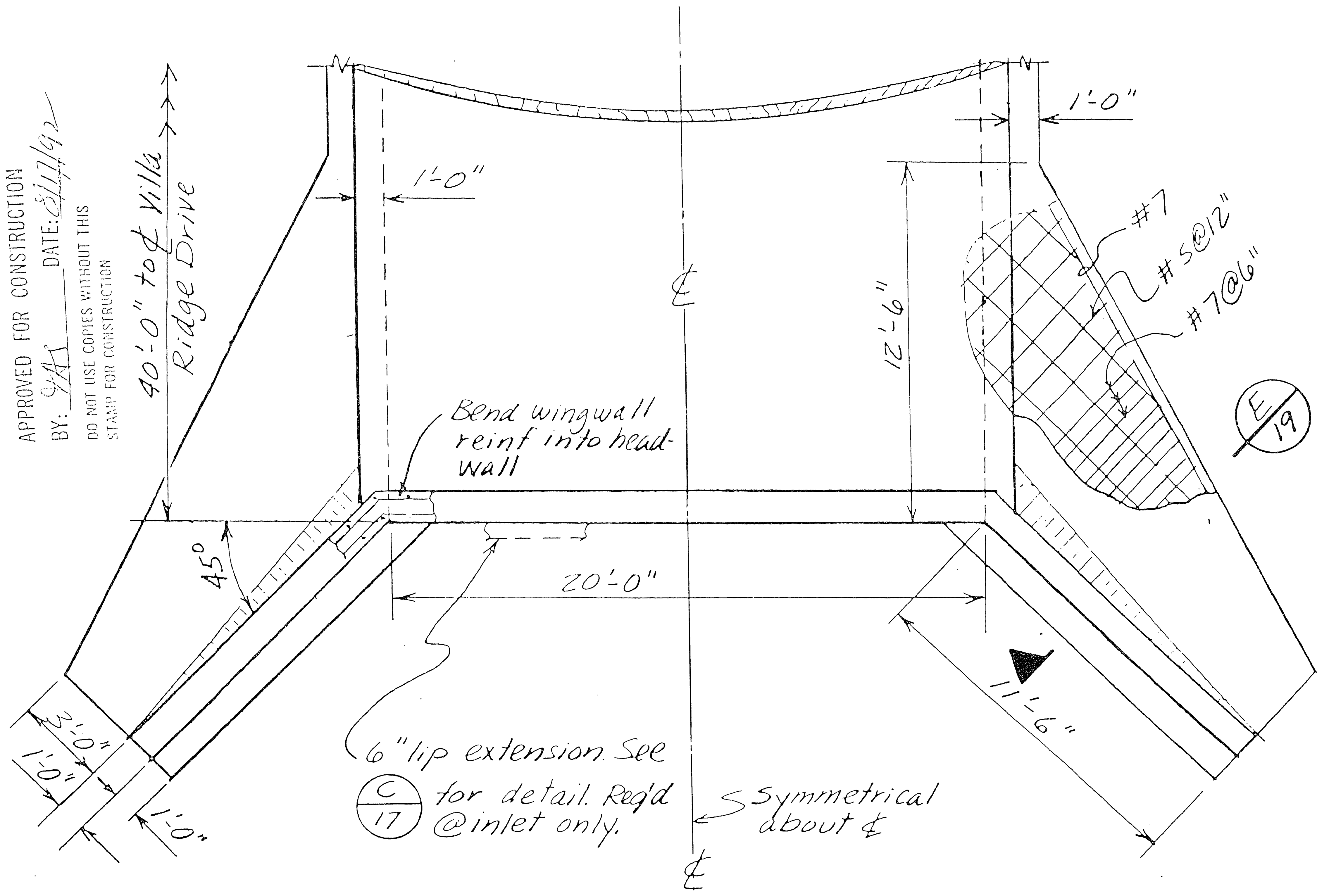


SACRA
ENGINEERING
 CONSULTING ENGINEERS
 312 South Convent Avenue
 Tucson, Arizona 85701
 (602) 792-2523

PROJECT NO. 92130 SHEET NO. 27 OF 28
 PROJECT TITLE DEL WEBB SUN CITY ARCH BRIDGES
 COMPUTED T.A.S. DATE JULY 92
 CHECKED DATE AUG 92
 REMARKS STA 19+09 VILLA RIDGE DETAILS

[Signature]
 9/1/92

APPROVED FOR CONSTRUCTION
 BY: *[Signature]* DATE: 8/17/92
 DO NOT USE COPIES WITHOUT THIS
 STAMP FOR CONSTRUCTION



PART PLAN - ARCH CULVERT @
 STA 19+09 ON VILLA RIDGE DRIVE (D)
 Scale 1" = 5'-0"