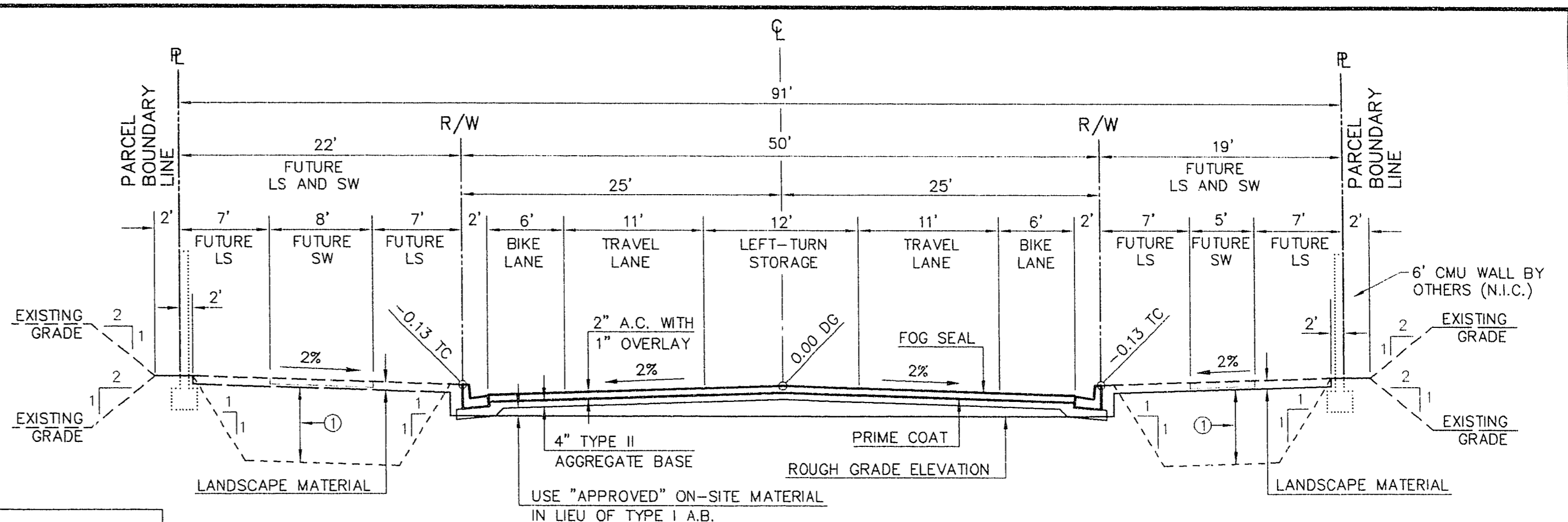
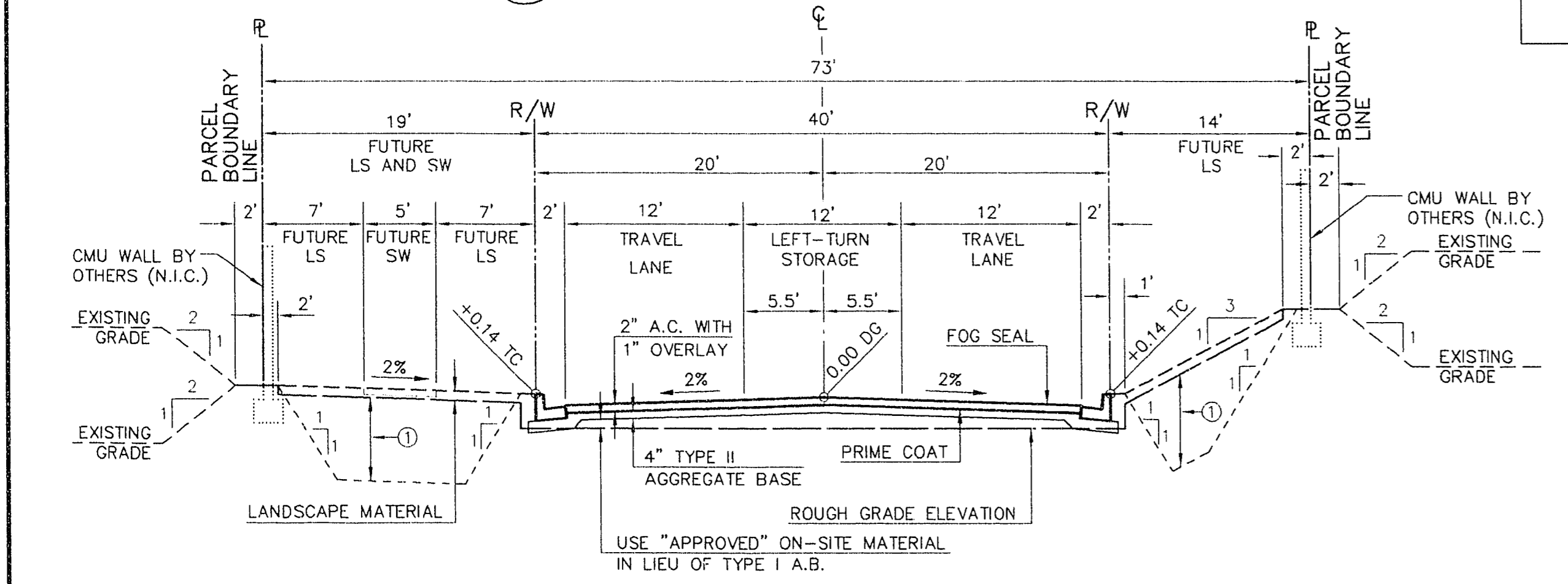


(A) SNOW TRAILS
N.T.S. (NEIGHBORHOOD COLLECTOR - AT ENTRY FROM LAKE MEAD BLVD.)

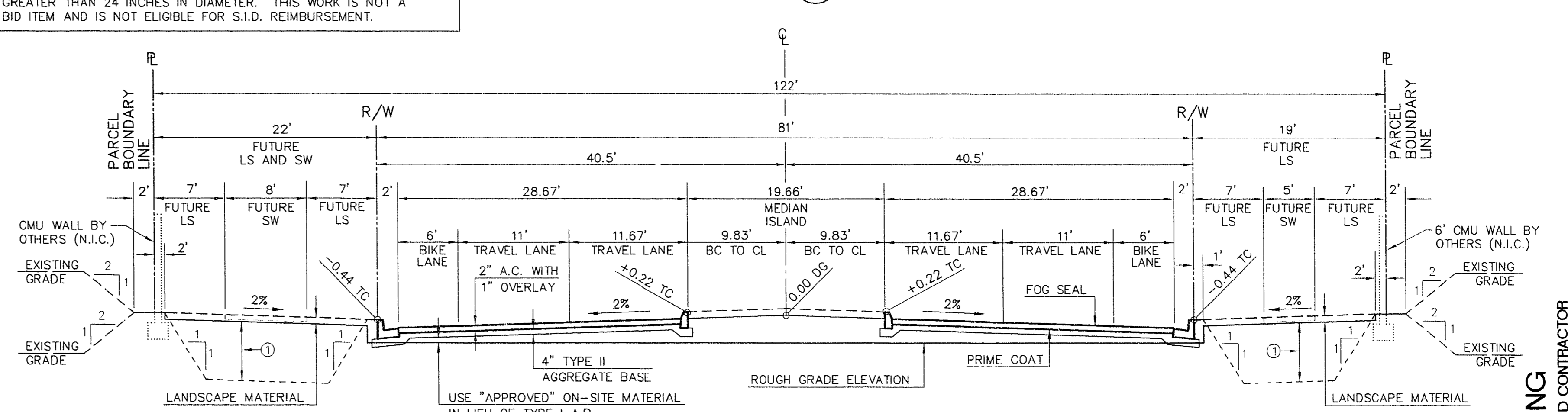
NOTE:
① RIP AND RECOMPACT (TO 85%) TO 4' BELOW FINISHED GRADE IN LANDSCAPE AREA. CONTRACTOR TO REMOVE ALL ROCK BouldERS GREATER THAN 24 INCHES IN DIAMETER. THIS WORK IS NOT A BID ITEM AND IS NOT ELIGIBLE FOR S.I.D. REIMBURSEMENT.



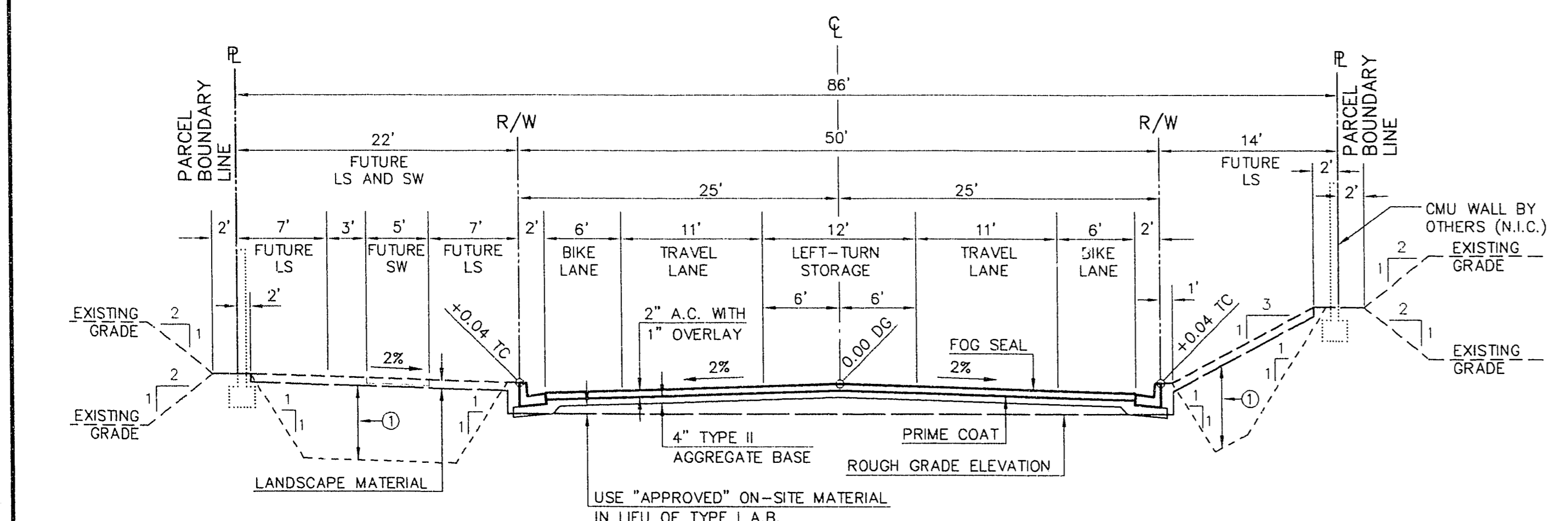
(E) TRAIL VISTA DRIVE
N.T.S. (RESIDENTIAL COLLECTOR)



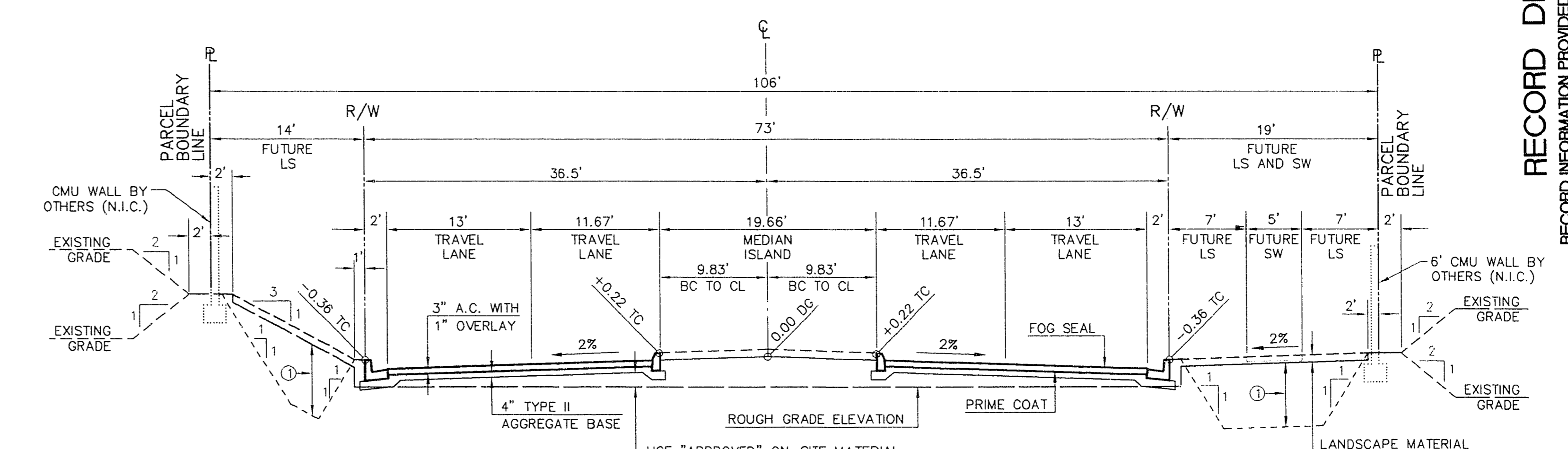
(B) SNOW TRAILS
N.T.S. (RESIDENTIAL COLLECTOR - NORTH OF TRAIL VISTA)



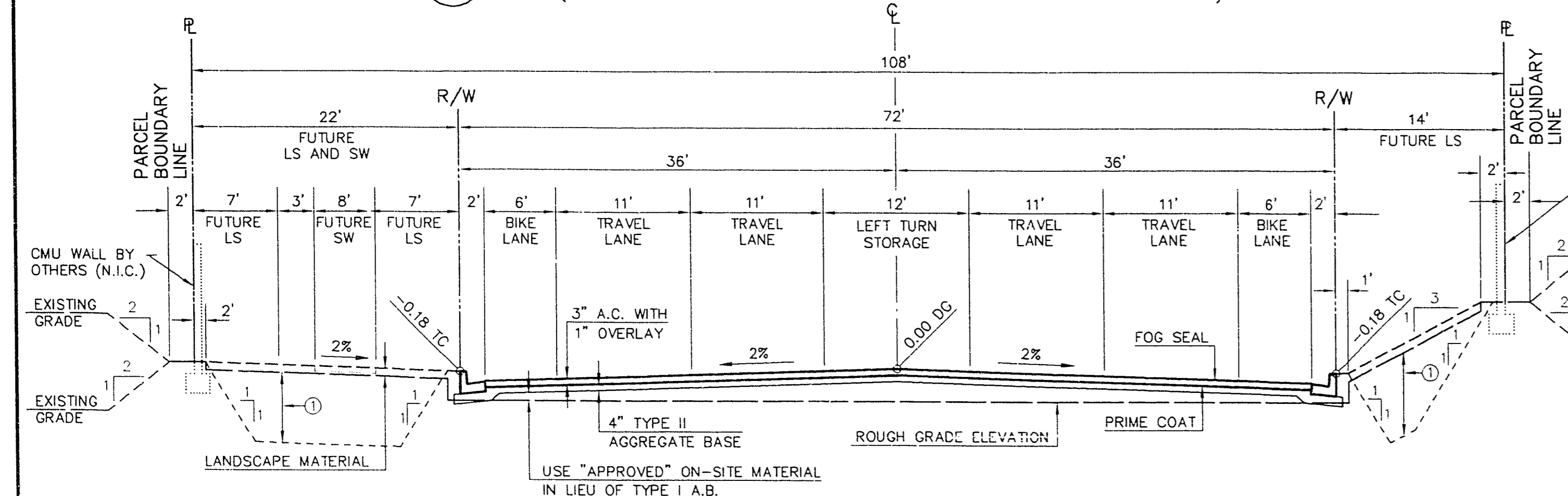
(F) TRAIL VISTA DRIVE
N.T.S. (VILLAGE SECONDARY ENTRY)



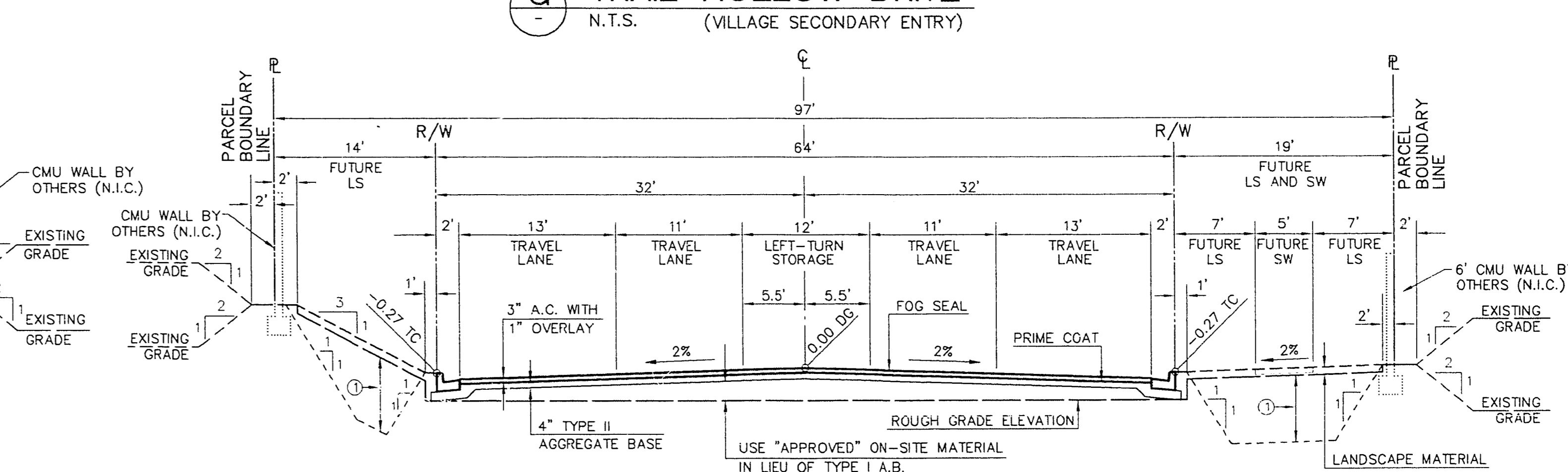
(C) SNOW TRAILS
N.T.S. (RESIDENTIAL COLLECTOR - BETWEEN TRAIL HOLLOW AND TRAIL VISTA)



(G) TRAIL HOLLOW DRIVE
N.T.S. (VILLAGE SECONDARY ENTRY)



(D) TRAILWOOD DRIVE
N.T.S. (NEIGHBORHOOD COLLECTOR)



(H) TRAIL HOLLOW DRIVE
N.T.S. (NEIGHBORHOOD COLLECTOR)

RECORD DRAWING
RECORD INFORMATION PROVIDED BY FIELD CONTRACTOR

PLANNING	DATE	APPROVAL
ENGINEERING	DATE	APPROVAL
LANDSCAPE ARCHITECTURE	DATE	APPROVAL
LAND SURVEYING	DATE	APPROVAL
CONSULTATION	DATE	APPROVAL
CONSTRUCTION	DATE	APPROVAL
RECOMMENDED	DATE	APPROVAL
10584 R.P.E.	01/19/84	
THE KEITH COMPANIES NEVADA 4032 SO. INDUSTRIAL RD. LAS VEGAS, NV 89103 (703) 793-0350		
HOWARD HUGHES PROPERTIES SUMMERLIN VILLAGE 7 - THE TRAILS - UNIT 3		
TYPICAL STREET SECTIONS		
SHEET		
ST-16		
Pg 25 OF 54		

1. 10/20/2010 09:17:16 AMB 4.1 26.09.14.41.1564 1-5 WHITEOUT 10.501.D 11.5.00.486-50410
 2. 08/11/2010 11:57:45 AMB 4.1 26.09.14.41.1564 1-5 WHITEOUT 10.501.D 11.5.00.486-50410
 3. 08/11/2010 11:57:45 AMB 4.1 26.09.14.41.1564 1-5 WHITEOUT 10.501.D 11.5.00.486-50410