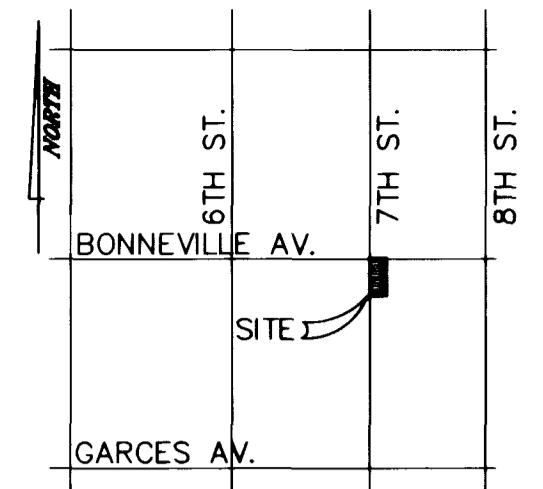


BENCHMARK:

RIVET AND PLATE IN TOP OF CURB,
EAST CURB LINE ON LITE BASE
200 FT± SOUTH OF BONNEVILLE AVE.
ON MAIN STREET
BM. NO. 6C01 34 SW6
ELEV = 617.904 METERS (NAVD 88)
= 2027.24 FEET (NAVD 88)



BASIS OF BEARING:

S 62° 04' 52" BEING CENTERLINE OF BONNEVILLE AVE.

SOIL TESTING REPORT BY:

PROJECT NO 64985361 DEC. 7 1998
TERRACON, 4343 SOUTH POLARIS AVE.
LAS VEGAS NV, 89103 PHONE (702) 597-9393 FAX 597-9009

LEGAL DESCRIPTION

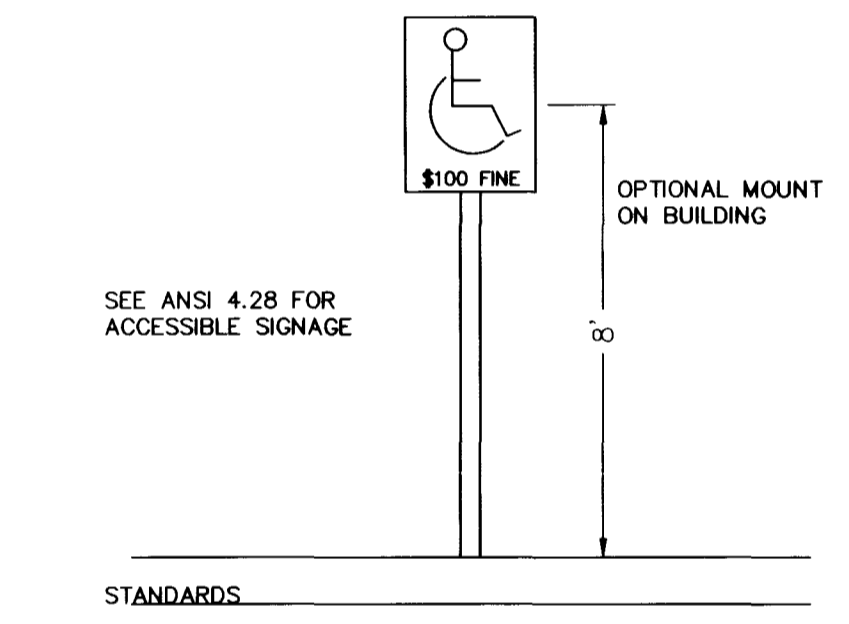
BEING A PORTION OF SOUTHEAST QUARTER(SE1/4) OF SOUTH HALF (S1/2)
OF SECTION 34, TOWNSHIP 20S
RANGE 62 EAST, M.D.B. & M. CLARK COUNTY, NEVADA

NOTE:

EXISTING UTILITIES ARE LOCATED ON THE PLANS FOR THE CONVENIENCE OF THE CONTRACTOR ONLY. THE ENGINEER BEARS NO RESPONSIBILITY FOR THE LOCATION OF UTILITIES SHOWN OR NOT SHOWN ON THE PLANS. THE CONTRACTOR SHALL NOTIFY ALL UTILITY COMPANIES BEFORE STARTING CONSTRUCTION AND IT SHALL BE THE RESPONSIBILITY OF THE CONTRACTOR TO VERIFY THE LOCATION OF ALL UTILITIES WITH THE UTILITY COMPANIES.

CONSTRUCTION NOTES :

	PRIVATE	PUBLIC
1 REMOVE EX. DEPRESSED CURB TYPE DRIVEWAY	380 SF.	
2 CONSTRUCT HANDICAP RAMP CASE II PER CCAS DWG NO.235	1 EA.	
3 CONSTRUCT HANDICAP RAMP PER CCAS DWG. 235 CASE II	9 EA.	
4 INSTALL PRECAST BUMPER BLOCK PER CCAS DWG NO. 238	2,300 SF.	
5 CONSTRUCT ALLEY PER CCAS DWG NO. 214	6,080 SF.	
6 CONSTRUCT PAVEMENT 2" AC OVER 4" TYPE II GRAVEL BASE	380 SF.	
7 CONSTRUCT 3.5' CONCRETE TURNDOWN SIDEWALK DETAIL ON THIS SHEET	300 SF.	
8 CONSTRUCT 4" CONCRETE SIDEWALK	55 LF.	
9 CONSTRUCT L TYPE CURB & GUTTER PER CCAS DWG NO. 216 (IN PLACE OF REMOVED DRIVEWAYS)	275 SF.	
10 CONSTRUCT 5' CONCRETE SIDEWALK PER CCAS DWG NO. 234 (IN PLACE OF REMOVED DRIVEWAYS)	160 SF.	
11 SAW CUT & REMOVE EX. PAVING & REPAVE	3 EA.	
12 OMIT 3 BLOCKS ALTERNATIVELY AT FINISH SURFACE ELEVATION FOR DRAINAGE	310 SF.	
13 CONSTRUCT ALLEY DRIVEWAY PER CCAS DWG NO. 227		

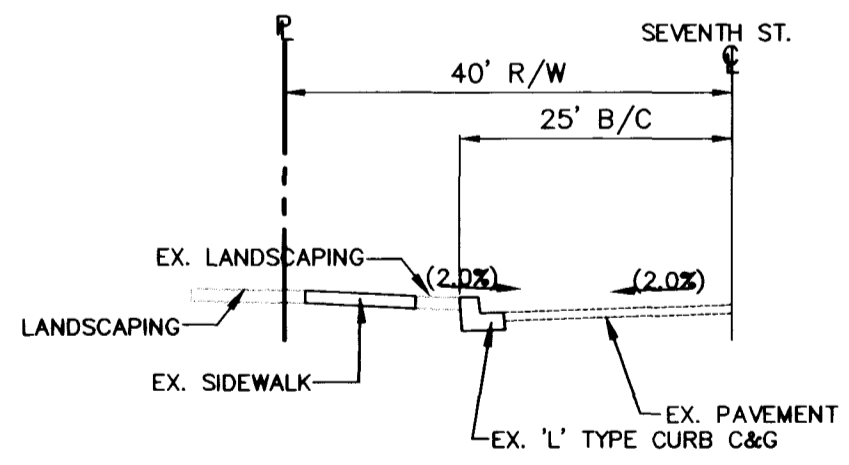


Ⓐ HANDICAP PARKING SIGN
N.T.S.

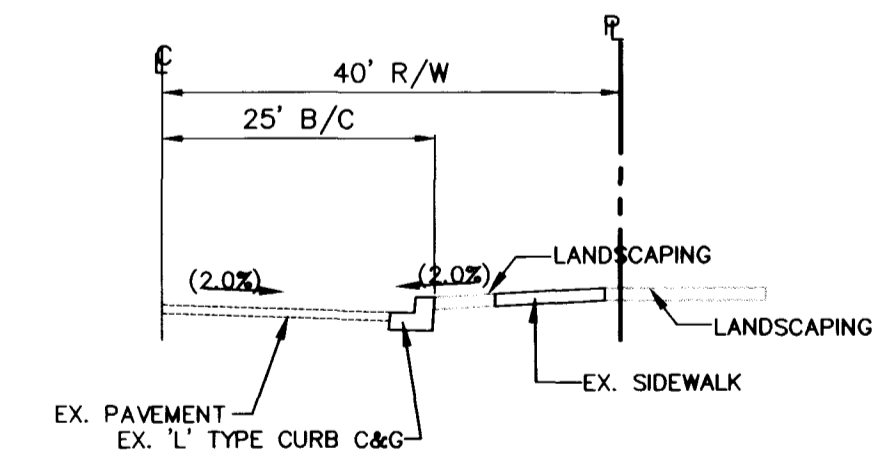
LEGEND:

- EX. CONTOURS
- EX. FIRE HYDRANT
- EX. WATER VALVE
- EX. SANITARY SEWER MANHOLE
- EX. STORM DRAIN MANHOLE
- EX. POWER POLE
- EX. GUY WIRE
- PROPERTY LINE
- CENTERLINE
- EX. EDGE OF PAVEMENT
- EX. WELL MONUMENT
- EX. ALUMINUM CAP
- (12.35) TC EXISTING TOP OF CURB ELEVATION
- 12.35 TC PROPOSED TOP OF CURB ELEVATION
- 12.35 FS FINISHED SURFACE ELEVATION
- 12.35 FL FLOW LINE ELEVATION
- F.F. FINISHED FLOOR ELEVATION
- G.B. GRADE BREAK
- FLOW DIRECTION & PERCENT
- TRW TOP OF RETAINING WALL
- GRADE BREAK
- [66.67 FL] PROPOSED GRADES FOR MINI-STORAGE FACILITY
- BASIN DIVIDING LINE
- (M) MEASURED
- (R) RECORDED

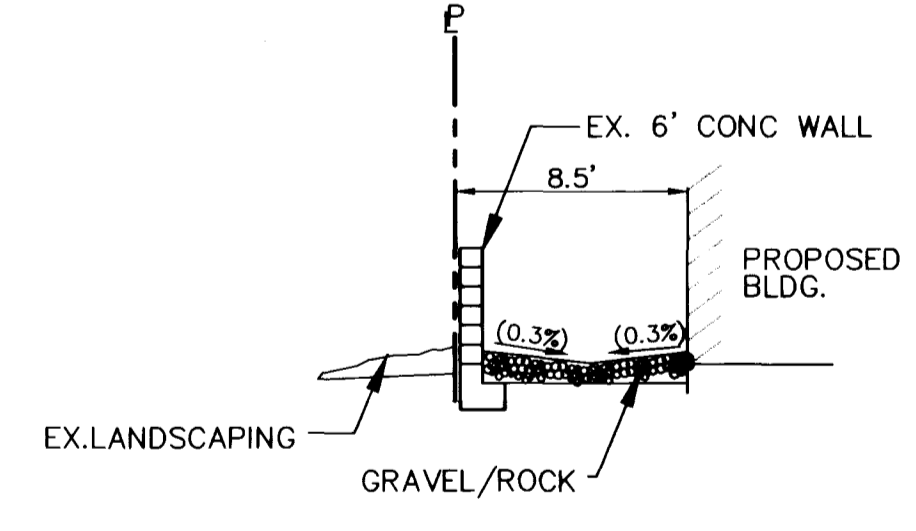
NOTE: ALL OFFSITE CONCRETE ON GRADE MUST HAVE 12" TYPE II SUBGRADES MINIMUM



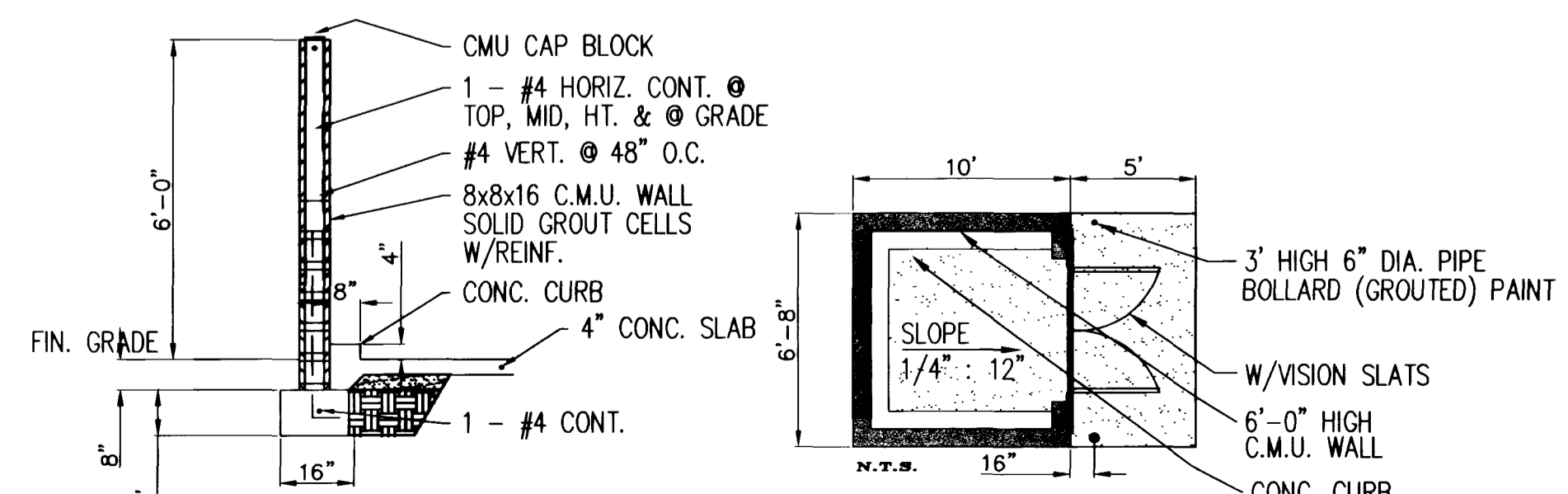
SECTION A-A
N.T.S.



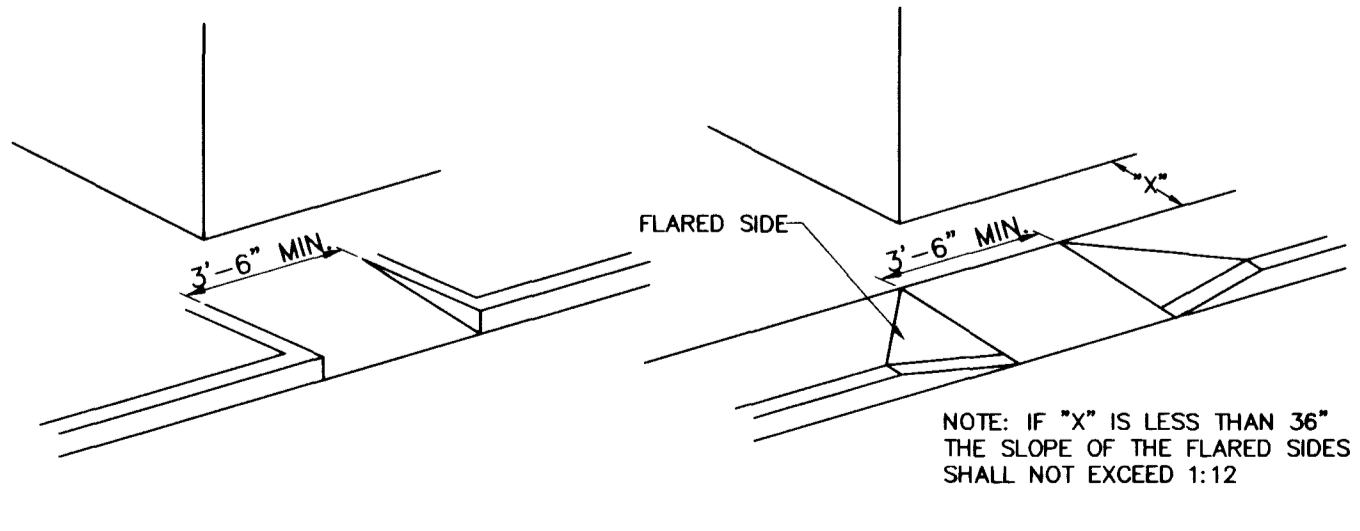
SECTION B-B
N.T.S.



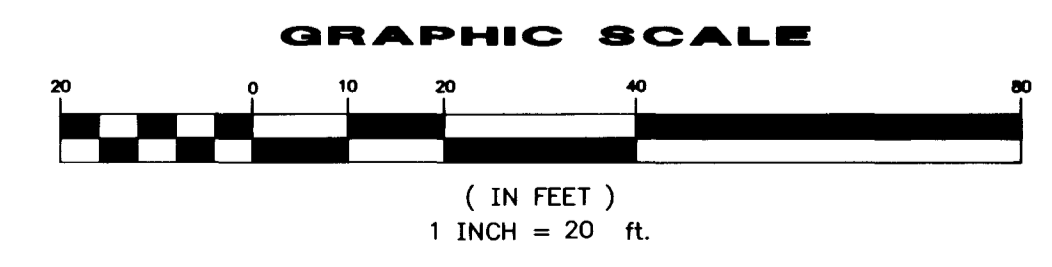
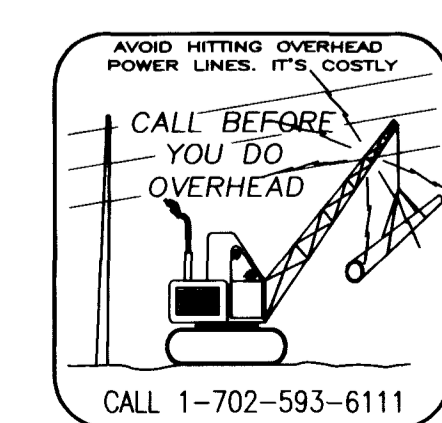
SECTION D-D
N.T.S.



TYP. TRASH ENCLOSURE & SECTION
N.T.S.



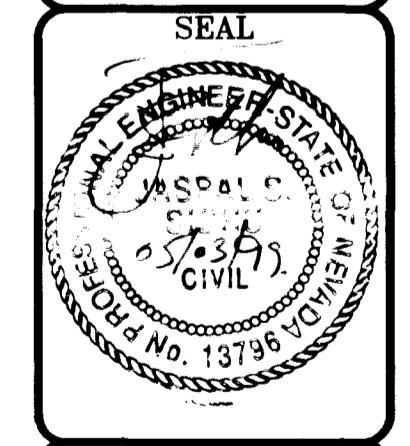
ON-SITE HANDICAP CURB RAMPS
N.T.S.



REVISIONS:

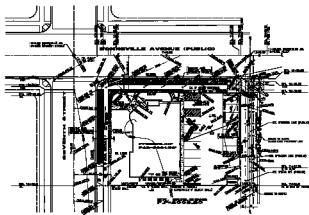
ACE ENGINEERING
5720 S. VALLEY VIEW BLVD.
SUITE 200, LAS VEGAS, NV 89168
PHONE (702) 596-5144 FAX (702) 596-7912

APN-139-34-810-017 & 016
GRADING PLAN
WOLFSON & GLASS OFFICE
601 S. 7TH STREET



DATE: 05/03/99
JOB : 98-141
DWG. BY: E.M

C3
SHEET
3 OF 4
CLV NO.
107-V3079



NOTES:

1. ALL CONCRETE SHALL BE 3000 PSI STRENGTH WITH 4% MINIMUM REINFORCEMENT. ALL CONCRETE SHALL BE PLACED AND FINISHED TO THE FINISH SURFACE OF THE CURB OR FINISH GRADE OF THE DRIVE OR SIDEWALK AS SHOWN ON THIS PLAN. ALL CONCRETE SHALL BE CURED FOR 7 DAYS.

2. ALL CONCRETE SHALL BE PLACED AND FINISHED TO THE FINISH SURFACE OF THE CURB OR FINISH GRADE OF THE DRIVE OR SIDEWALK AS SHOWN ON THIS PLAN. ALL CONCRETE SHALL BE CURED FOR 7 DAYS.

3. ALL CONCRETE SHALL BE PLACED AND FINISHED TO THE FINISH SURFACE OF THE CURB OR FINISH GRADE OF THE DRIVE OR SIDEWALK AS SHOWN ON THIS PLAN. ALL CONCRETE SHALL BE CURED FOR 7 DAYS.

NO.	DESCRIPTION	QUANTITY	UNIT
1	CONCRETE	100.00	CU YD
2	REINFORCEMENT	100.00	LB
3	FORMWORK	100.00	SQ YD
4	PAVEMENT	100.00	SQ YD
5	GRASS	100.00	SQ YD
6	SEWER	100.00	LINEAL FT
7	WATER	100.00	LINEAL FT
8	STORM	100.00	LINEAL FT
9	WALKWAY	100.00	SQ YD
10	DRIVE	100.00	SQ YD
11	GRASS	100.00	SQ YD
12	PAVEMENT	100.00	SQ YD
13	CONCRETE	100.00	CU YD
14	REINFORCEMENT	100.00	LB
15	FORMWORK	100.00	SQ YD
16	PAVEMENT	100.00	SQ YD
17	GRASS	100.00	SQ YD
18	SEWER	100.00	LINEAL FT
19	WATER	100.00	LINEAL FT
20	STORM	100.00	LINEAL FT
21	WALKWAY	100.00	SQ YD
22	DRIVE	100.00	SQ YD
23	GRASS	100.00	SQ YD
24	PAVEMENT	100.00	SQ YD
25	CONCRETE	100.00	CU YD
26	REINFORCEMENT	100.00	LB
27	FORMWORK	100.00	SQ YD
28	PAVEMENT	100.00	SQ YD
29	GRASS	100.00	SQ YD
30	SEWER	100.00	LINEAL FT
31	WATER	100.00	LINEAL FT
32	STORM	100.00	LINEAL FT
33	WALKWAY	100.00	SQ YD
34	DRIVE	100.00	SQ YD
35	GRASS	100.00	SQ YD
36	PAVEMENT	100.00	SQ YD
37	CONCRETE	100.00	CU YD
38	REINFORCEMENT	100.00	LB
39	FORMWORK	100.00	SQ YD
40	PAVEMENT	100.00	SQ YD
41	GRASS	100.00	SQ YD
42	SEWER	100.00	LINEAL FT
43	WATER	100.00	LINEAL FT
44	STORM	100.00	LINEAL FT
45	WALKWAY	100.00	SQ YD
46	DRIVE	100.00	SQ YD
47	GRASS	100.00	SQ YD
48	PAVEMENT	100.00	SQ YD
49	CONCRETE	100.00	CU YD
50	REINFORCEMENT	100.00	LB
51	FORMWORK	100.00	SQ YD
52	PAVEMENT	100.00	SQ YD
53	GRASS	100.00	SQ YD
54	SEWER	100.00	LINEAL FT
55	WATER	100.00	LINEAL FT
56	STORM	100.00	LINEAL FT
57	WALKWAY	100.00	SQ YD
58	DRIVE	100.00	SQ YD
59	GRASS	100.00	SQ YD
60	PAVEMENT	100.00	SQ YD
61	CONCRETE	100.00	CU YD
62	REINFORCEMENT	100.00	LB
63	FORMWORK	100.00	SQ YD
64	PAVEMENT	100.00	SQ YD
65	GRASS	100.00	SQ YD
66	SEWER	100.00	LINEAL FT
67	WATER	100.00	LINEAL FT
68	STORM	100.00	LINEAL FT
69	WALKWAY	100.00	SQ YD
70	DRIVE	100.00	SQ YD
71	GRASS	100.00	SQ YD
72	PAVEMENT	100.00	SQ YD
73	CONCRETE	100.00	CU YD
74	REINFORCEMENT	100.00	LB
75	FORMWORK	100.00	SQ YD
76	PAVEMENT	100.00	SQ YD
77	GRASS	100.00	SQ YD
78	SEWER	100.00	LINEAL FT
79	WATER	100.00	LINEAL FT
80	STORM	100.00	LINEAL FT
81	WALKWAY	100.00	SQ YD
82	DRIVE	100.00	SQ YD
83	GRASS	100.00	SQ YD
84	PAVEMENT	100.00	SQ YD
85	CONCRETE	100.00	CU YD
86	REINFORCEMENT	100.00	LB
87	FORMWORK	100.00	SQ YD
88	PAVEMENT	100.00	SQ YD
89	GRASS	100.00	SQ YD
90	SEWER	100.00	LINEAL FT
91	WATER	100.00	LINEAL FT
92	STORM	100.00	LINEAL FT
93	WALKWAY	100.00	SQ YD
94	DRIVE	100.00	SQ YD
95	GRASS	100.00	SQ YD
96	PAVEMENT	100.00	SQ YD
97	CONCRETE	100.00	CU YD
98	REINFORCEMENT	100.00	LB
99	FORMWORK	100.00	SQ YD
100	PAVEMENT	100.00	SQ YD



REINFORCED SANDWICH SIGN

- LEGEND:**
- 1. TO GRADE
 - 2. TO SIDE CURB
 - 3. TO SIDE WALK
 - 4. TO SIDEWALK EDGE MARKER
 - 5. TO SIDE WALK CENTER
 - 6. TO SIDE WALK
 - 7. TO SIDE WALK
 - 8. TO SIDE WALK
 - 9. TO SIDE WALK
 - 10. TO SIDE WALK
 - 11. TO SIDE WALK
 - 12. TO SIDE WALK
 - 13. TO SIDE WALK
 - 14. TO SIDE WALK
 - 15. TO SIDE WALK
 - 16. TO SIDE WALK
 - 17. TO SIDE WALK
 - 18. TO SIDE WALK
 - 19. TO SIDE WALK
 - 20. TO SIDE WALK
 - 21. TO SIDE WALK
 - 22. TO SIDE WALK
 - 23. TO SIDE WALK
 - 24. TO SIDE WALK
 - 25. TO SIDE WALK
 - 26. TO SIDE WALK
 - 27. TO SIDE WALK
 - 28. TO SIDE WALK
 - 29. TO SIDE WALK
 - 30. TO SIDE WALK
 - 31. TO SIDE WALK
 - 32. TO SIDE WALK
 - 33. TO SIDE WALK
 - 34. TO SIDE WALK
 - 35. TO SIDE WALK
 - 36. TO SIDE WALK
 - 37. TO SIDE WALK
 - 38. TO SIDE WALK
 - 39. TO SIDE WALK
 - 40. TO SIDE WALK
 - 41. TO SIDE WALK
 - 42. TO SIDE WALK
 - 43. TO SIDE WALK
 - 44. TO SIDE WALK
 - 45. TO SIDE WALK
 - 46. TO SIDE WALK
 - 47. TO SIDE WALK
 - 48. TO SIDE WALK
 - 49. TO SIDE WALK
 - 50. TO SIDE WALK
 - 51. TO SIDE WALK
 - 52. TO SIDE WALK
 - 53. TO SIDE WALK
 - 54. TO SIDE WALK
 - 55. TO SIDE WALK
 - 56. TO SIDE WALK
 - 57. TO SIDE WALK
 - 58. TO SIDE WALK
 - 59. TO SIDE WALK
 - 60. TO SIDE WALK
 - 61. TO SIDE WALK
 - 62. TO SIDE WALK
 - 63. TO SIDE WALK
 - 64. TO SIDE WALK
 - 65. TO SIDE WALK
 - 66. TO SIDE WALK
 - 67. TO SIDE WALK
 - 68. TO SIDE WALK
 - 69. TO SIDE WALK
 - 70. TO SIDE WALK
 - 71. TO SIDE WALK
 - 72. TO SIDE WALK
 - 73. TO SIDE WALK
 - 74. TO SIDE WALK
 - 75. TO SIDE WALK
 - 76. TO SIDE WALK
 - 77. TO SIDE WALK
 - 78. TO SIDE WALK
 - 79. TO SIDE WALK
 - 80. TO SIDE WALK
 - 81. TO SIDE WALK
 - 82. TO SIDE WALK
 - 83. TO SIDE WALK
 - 84. TO SIDE WALK
 - 85. TO SIDE WALK
 - 86. TO SIDE WALK
 - 87. TO SIDE WALK
 - 88. TO SIDE WALK
 - 89. TO SIDE WALK
 - 90. TO SIDE WALK
 - 91. TO SIDE WALK
 - 92. TO SIDE WALK
 - 93. TO SIDE WALK
 - 94. TO SIDE WALK
 - 95. TO SIDE WALK
 - 96. TO SIDE WALK
 - 97. TO SIDE WALK
 - 98. TO SIDE WALK
 - 99. TO SIDE WALK
 - 100. TO SIDE WALK

NOTE: ALL OFFSITE CONCRETE ON GRADE MUST HAVE 12" TYPE II SUBGRADES MINIMUM



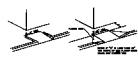
SECTION A-A



SECTION B-B



SECTION C-C



REINFORCED SANDWICH SIGN



REINFORCED SANDWICH SIGN



ACE ENGINEERING
 1000 A VALLEY VIEW BLVD
 SUITE 1000 LAS VEGAS, NV 89102
 PHONE: 702-799-0000 FAX: 702-799-0001

GRADING PLAN
 WOLFSON & GLASS OFFICE
 6011 E. 7TH STREET

SHEET
 3 OF 4
 CLV NO.
 07-24074