

BASIS OF BEARINGS
 BEING THE SOUTH LINE OF THE SOUTHWEST QUARTER (SE 1/4) OF THE
 NORTHEAST QUARTER (NE 1/4) OF SECTION 30, T.20S., R.62E., M.D.M.,
 CITY OF LAS VEGAS, CLARK COUNTY, NEVADA, SAID LINE BEARS
 N. 89°53'26" E.

BENCHMARK
 NORTH AMERICAN VERTICAL DATUM 1988 (NAVD88)
 B.M. NO. 14 STATION 2LV02 3056
 FOUND RIVET AND SQUARE ALUMINUM PLATE IN TOP OF CURB, IN THE
 SOUTHWEST CORNER OF SANDHILL RD. AND HARRIS AVE.
 ELEVATION = 1785.134 FEET
 544.8623 METERS

REV	DATE	BY

HELLER DEVELOPMENT COMPANIES
 CALIFORNIA • NEVADA
 8453 Reseda Boulevard
 Northridge, CA 91324 (818) 777-2656

ORION ENGINEERING AND SURVEYING, INC.
 3068 E. SUNSET ROAD, SUITE 9
 LAS VEGAS, NEVADA 89120
 (702) 739-5921 FAX (702) 739-5929

MASTER GRADING PLAN

Washington & Sandhill - Unit 2

DRAINAGE STUDY NOTE

Muel Boldt 11-9-98

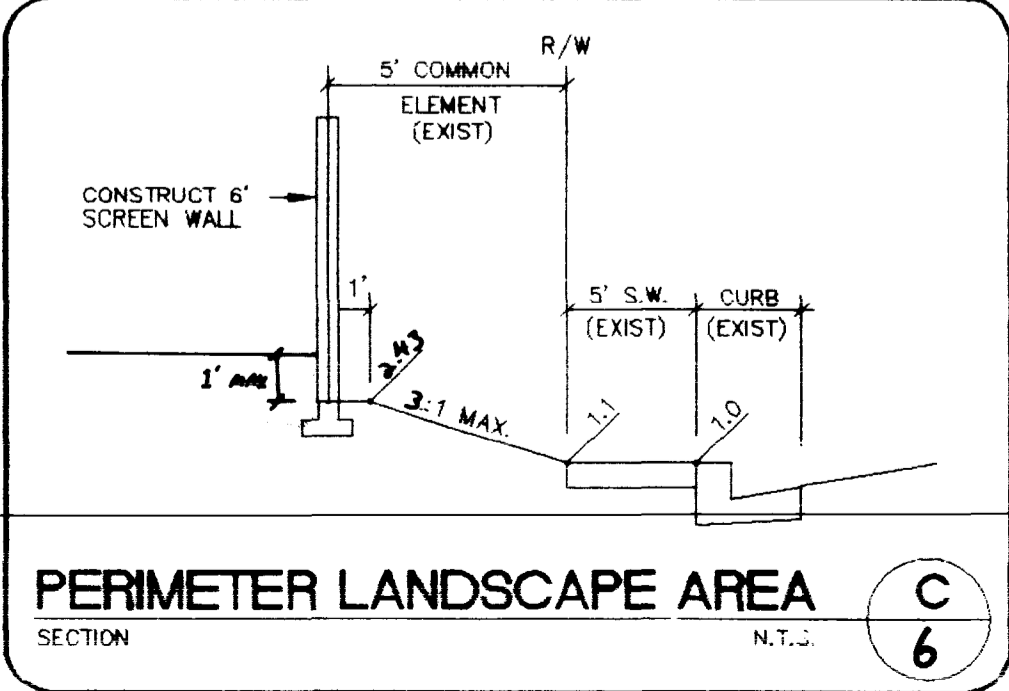
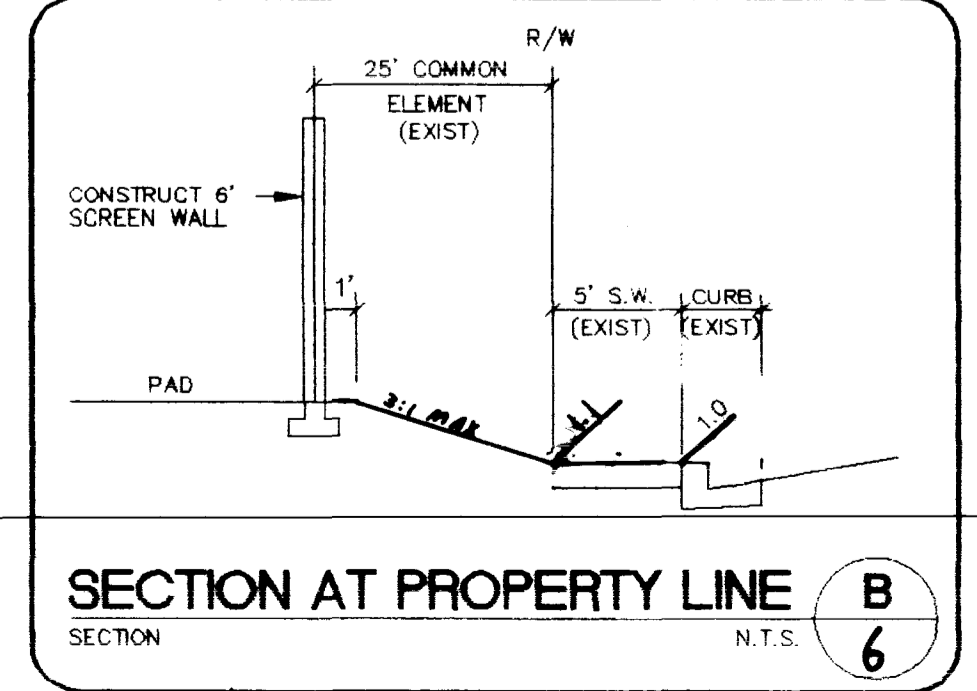
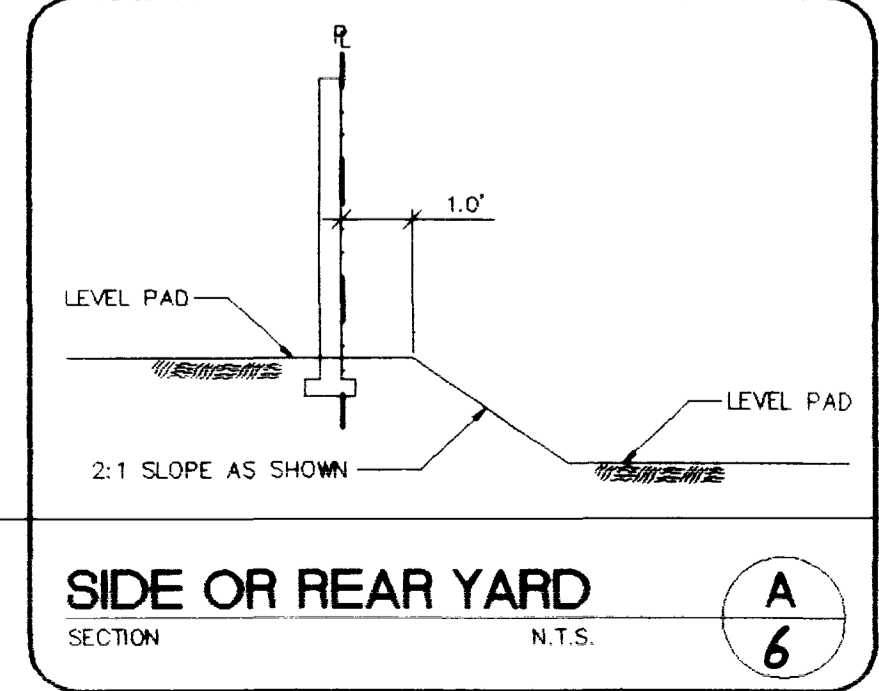
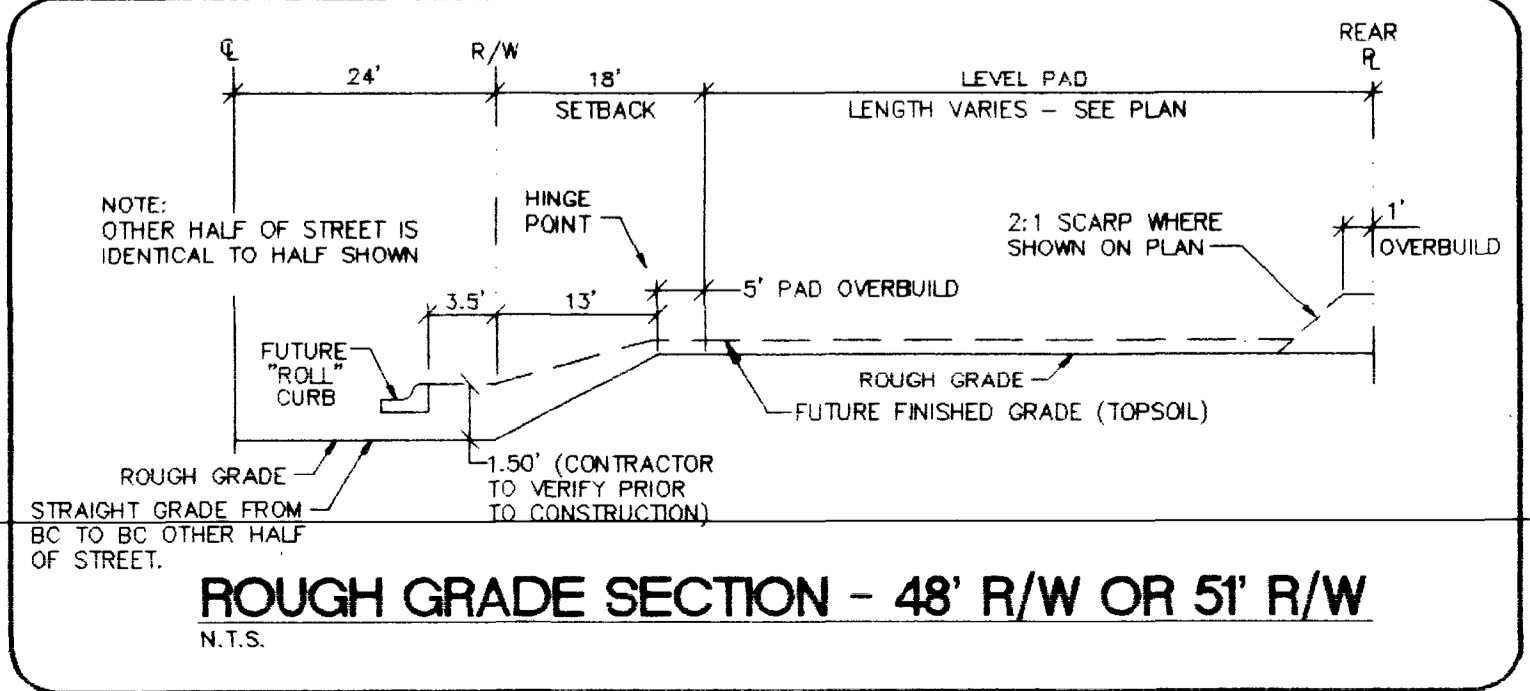
I CERTIFY THAT THIS GRADING PLAN IS IN CONFORMANCE
 WITH THE APPROVED DRAINAGE STUDY ON FILE AT THE
 CITY OF LAS VEGAS FOR THIS PROJECT

DISCLAIMER NOTE

UTILITY LOCATIONS SHOWN
 HEREON ARE APPROXIMATE
 ONLY. IT SHALL BE THE
 CONTRACTOR'S RESPONSIBILITY
 TO DETERMINE THE EXACT
 HORIZONTAL AND VERTICAL
 LOCATION OF ALL EXISTING
 UNDERGROUND OR OVER-
 HEAD UTILITIES PRIOR TO
 COMMENCING CONSTRUCTION.
 NO REPRESENTATION IS MADE
 THAT ALL EXISTING UTILITIES
 ARE SHOWN HEREON. THE
 ENGINEER ASSUMES NO
 RESPONSIBILITY FOR UTILITIES
 NOT SHOWN OR UTILITIES
 NOT SHOWN IN THEIR PROPER
 LOCATION.

Call
 before you
 Dig
 1-800-227-2600
 UNDERGROUND SERVICE (USA)

Call
 before you
 Overhead
 1-702-593-6111
 WHICH WIRE ENGINEER
 AND SAFETY SERVICES SPECIFICALLY



DRAWN BY: R.P.P.	DESIGNED BY: R.P.P.	CHECKED BY: M.A.B.	PROJECT NO.: 020-8C01
05.20.93	05.20.98	05.20.98	SCALE: 1" = 40'
SHEET 11 8 OF 15 SHEETS DRAWING NO. 107Y-4556-2			

