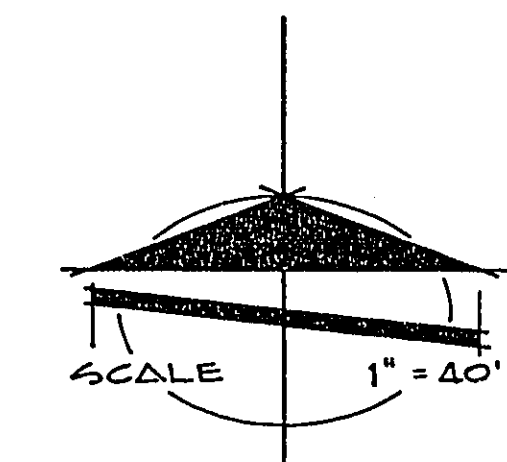


107-V-1135

5811 A-101



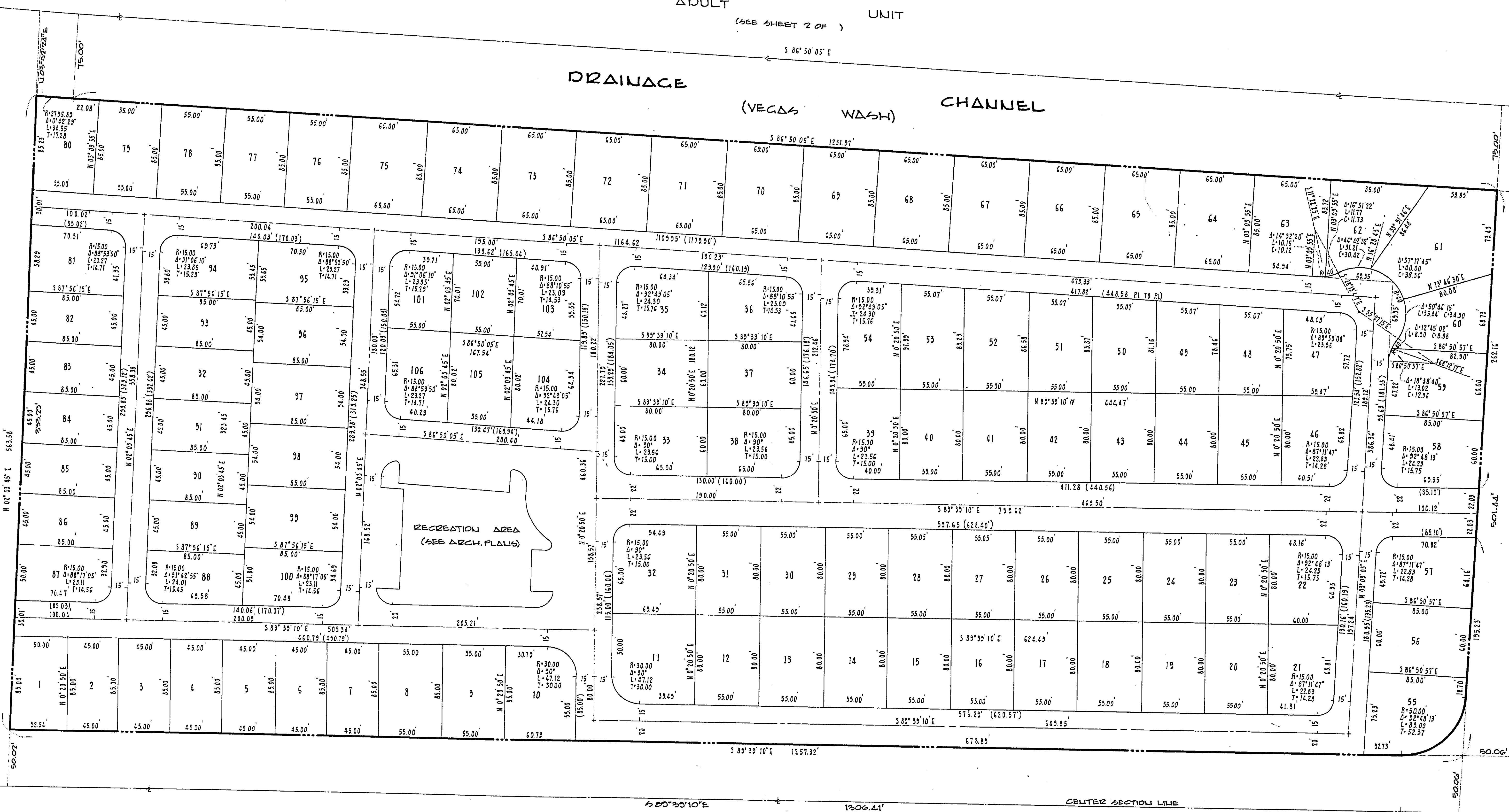
ADULT UNIT  
(SEE SHEET 2 OF )

DRAINAGE CHANNEL  
(VEGAS WASH)

UNDEVELOPED LAND

BOULEVARD  
LAMB

WASHINGTON AVENUE



DATE	JULY 1977	DESIGN	140
BY	BAUGHMAN & TURNER	MINING ENGINEERS	140
PROJECT	CIVIL ENGINEERS	LAND SURVEYORS	140
ADDRESS	2735 WEST CHRISTIAN BOULEVARD LAS VEGAS, NEVADA 89102		
SCALE	1" = 40'		
REVISIONS	1		
DESCRIPTION	SUDBRIDGE OAKS MOBILE HOME PARK FAMILY UNIT		
PROJECT NO.	107-V-1135		

**PLOT PLAN**  
SECTION 30, TOWNSHIP 20 SOUTH, RANGE 02 EAST, MERIDIAN 116 WEST, CITY OF LAS VEGAS

**SUDBRIDGE OAKS MOBILE HOME PARK**

30

107-V-1135 (Mobile Home)

*Richard D. ...*  
3-9-78