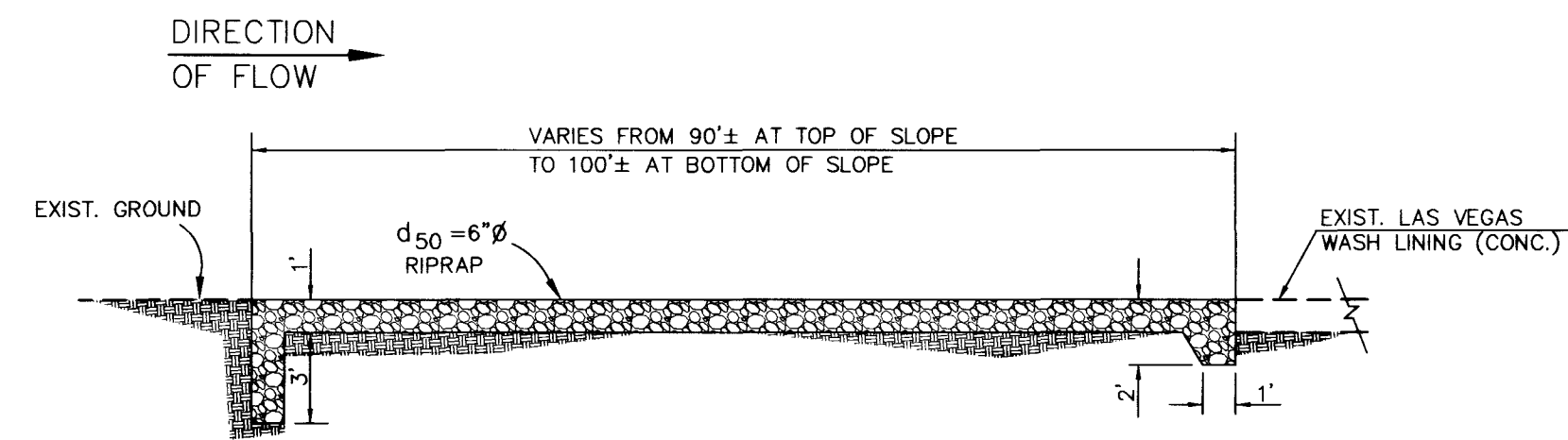
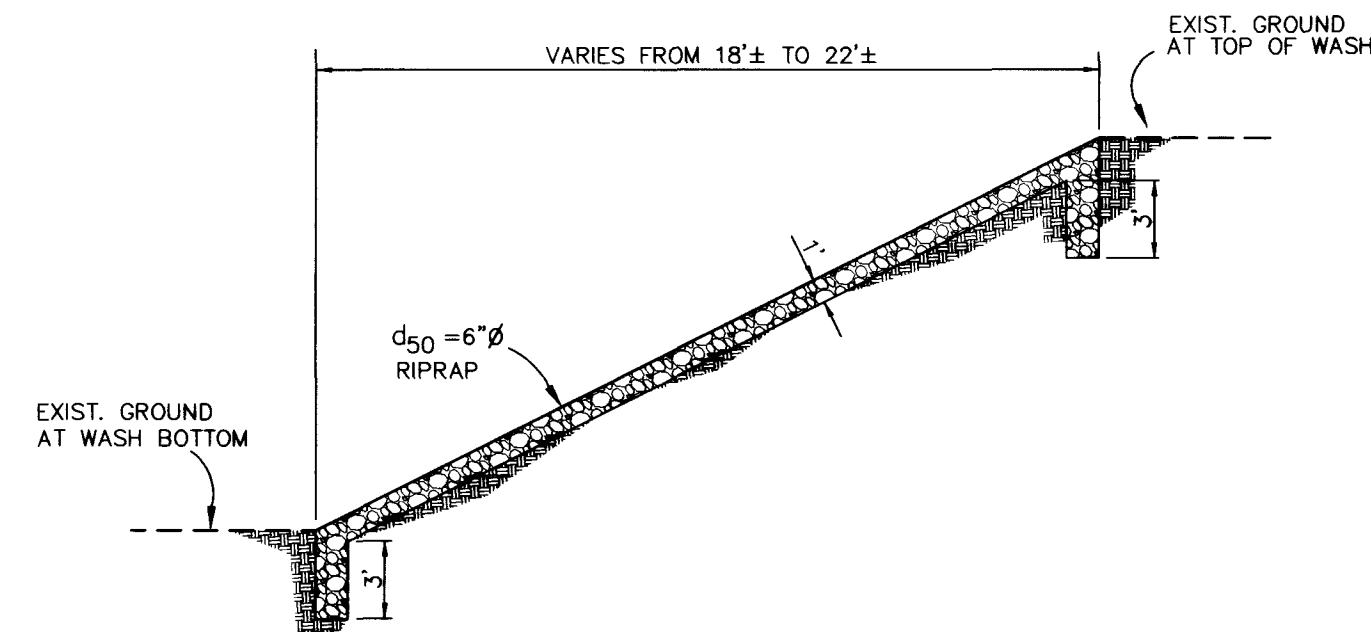


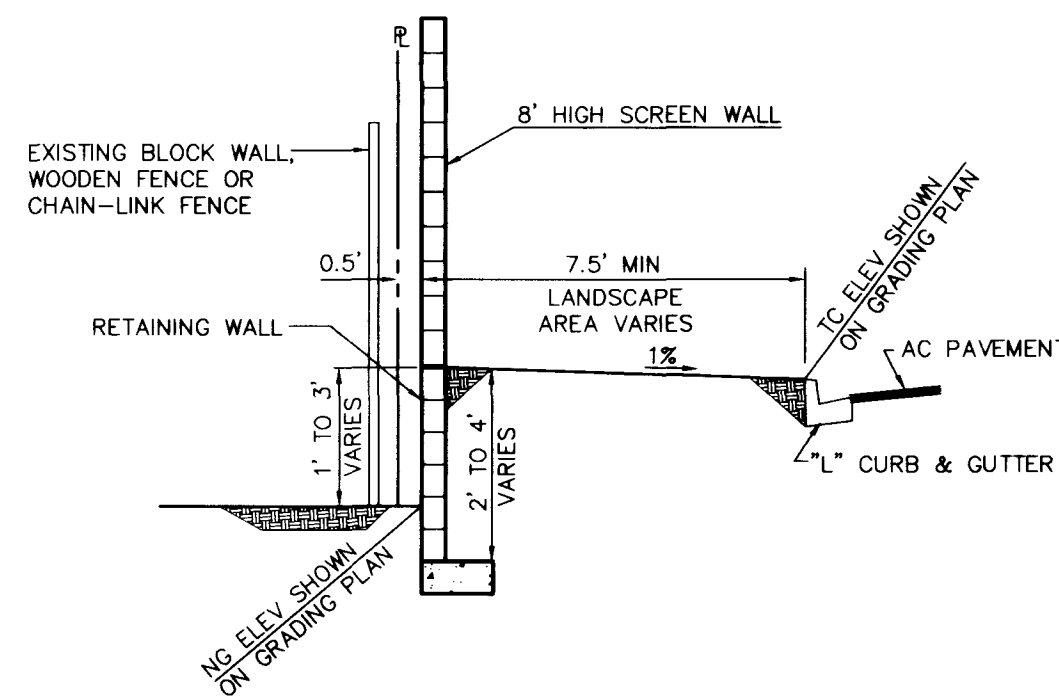
SECTION E
NO SCALE



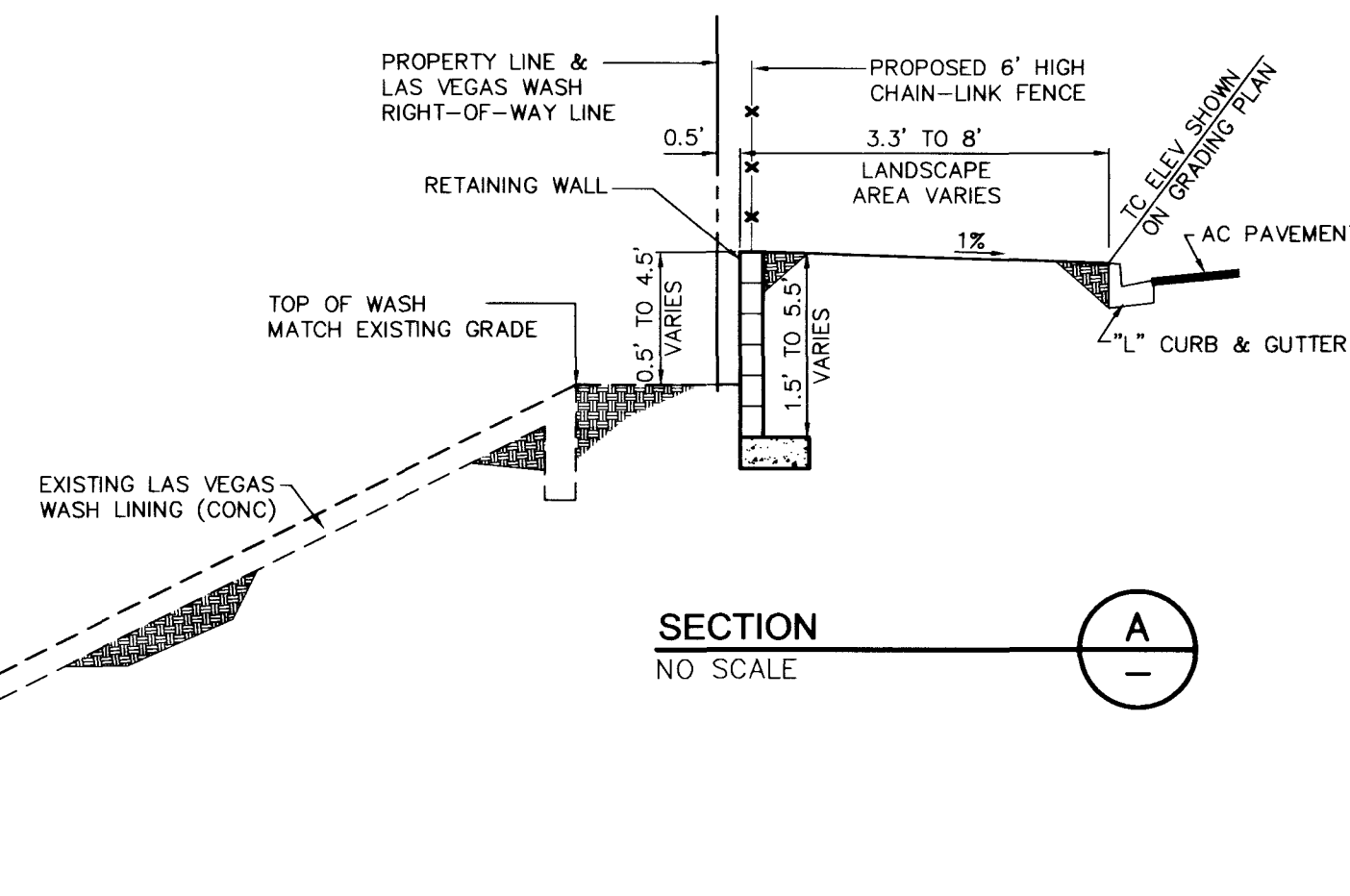
SECTION D
NO SCALE



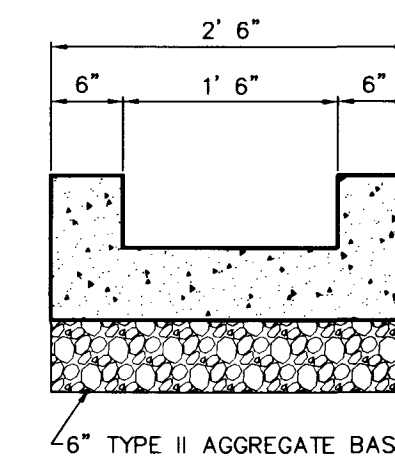
SECTION C
NO SCALE



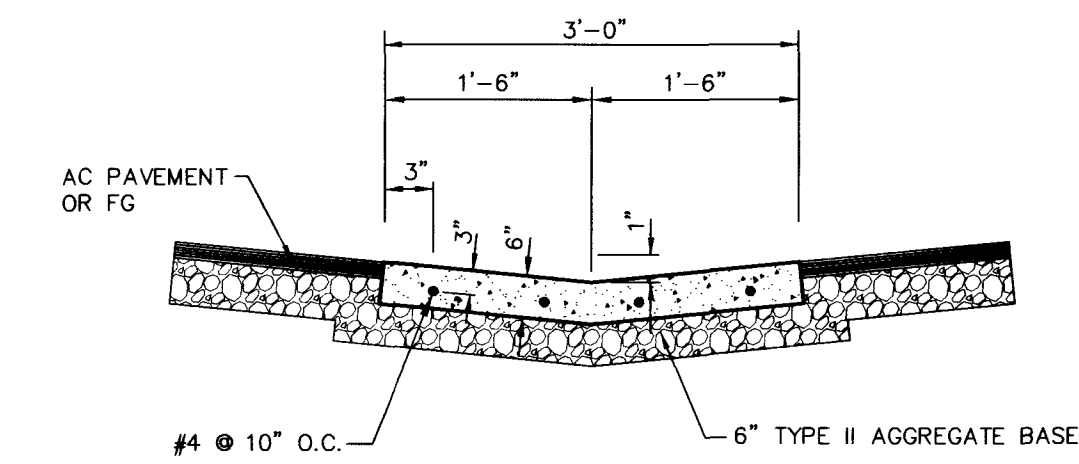
SECTION B
NO SCALE



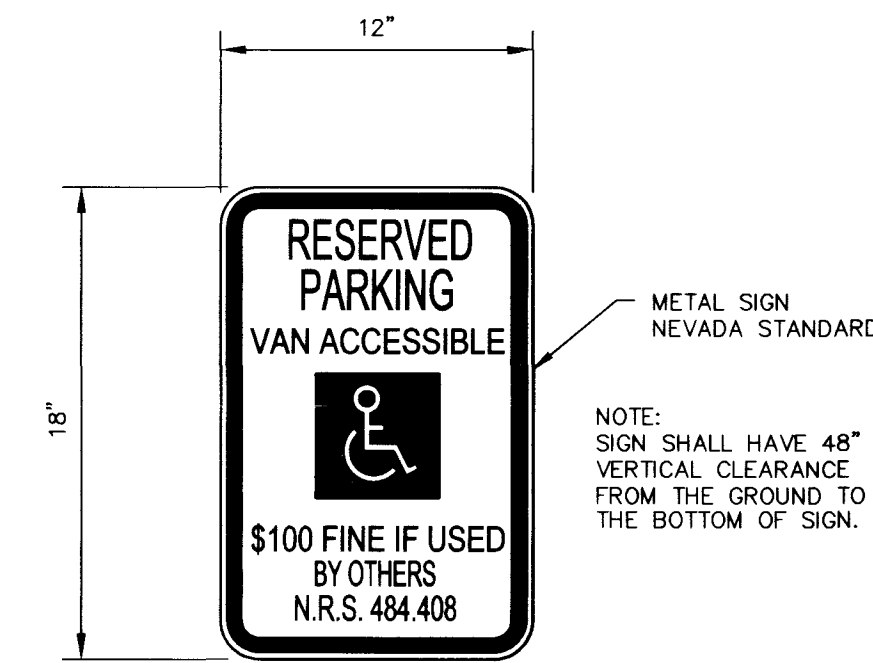
SECTION A
NO SCALE



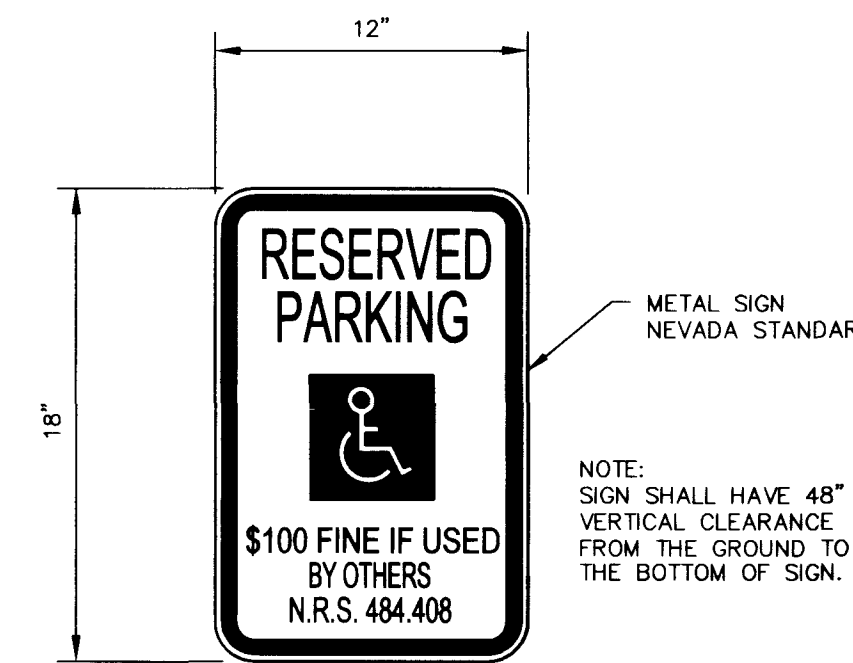
2.5' WIDE FLUME
NO SCALE



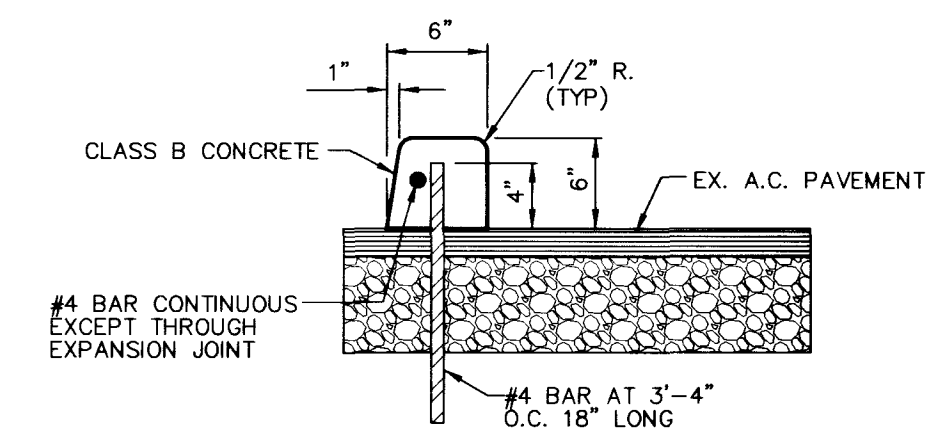
3' WIDE VALLEY GUTTER
NO SCALE



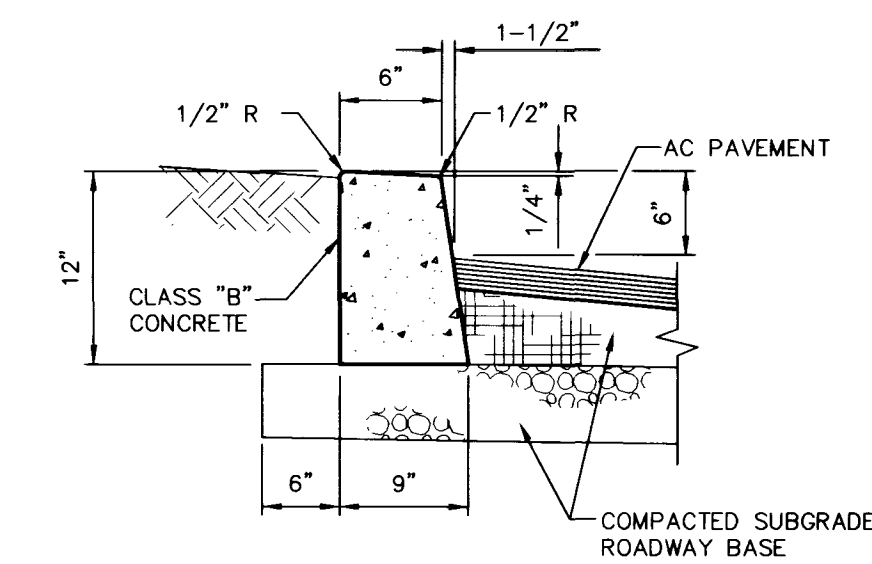
HANDICAP SIGN (VAN ACCESSIBLE)
NO SCALE



HANDICAP SIGN
NO SCALE



"A" TACK-ON OPTION



"A" TYPE CURB
NO SCALE

TETRA
Southwest
3081 South Valley View • Las Vegas, Nevada 89012
Phone: (702) 889-5010 • Fax: (702) 889-6020

SEAGULL PARK
BONANZA EAST PLAZA
DETAIL SHEET

PROFESSIONAL ENGINEER - STATE OF NEVADA
DANIEL W. MURHEAD
5/22/99
NO. 10609
CIVIL ENGINEER'S SEAL

SHEET
C7
7 OF 7 SHEETS
JOB# 99007
107-V3097

SCALE (H)	SCALE (V)	DESIGN BY	DRAWN BY	REV. #	DATE	DESCRIPTION	APPROVAL
NONE	NONE	PK	PA				

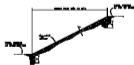
G:\198007\Map\1\maprev\007-c7.dwg Mon May 24 09:32:17 1999 JCB



SECTION 1



SECTION 2



SECTION 3



SECTION 4



SECTION 5



SECTION 6



SECTION 7



SECTION 8



SECTION 9



SECTION 10

TETRA SOUTHWEST 10000 W. 10th Street, Suite 100 Denver, CO 80202 Phone: 303.751.1111 Fax: 303.751.1112 Email: sales@tetrasw.com	SHEET NO. DATE DRAWN BY CHECKED BY SCALE
BOWHILL PARK BOWANDA EAST PLAZA DETAIL SHEET	
SHEET C7 7 of 7	JOB NO. 0007 07-1007