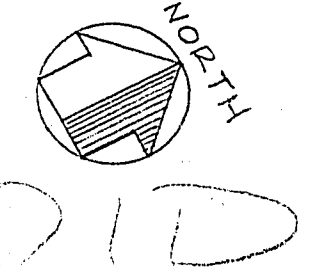


- LEGEND**
- (101) INDICATES PANEL NOS.
  - (A) INDICATES COL. LINES
  - (5/3) INDICATES DETAIL

**FOUNDATION PLAN**  
SCALE 1/8" = 1'-0"

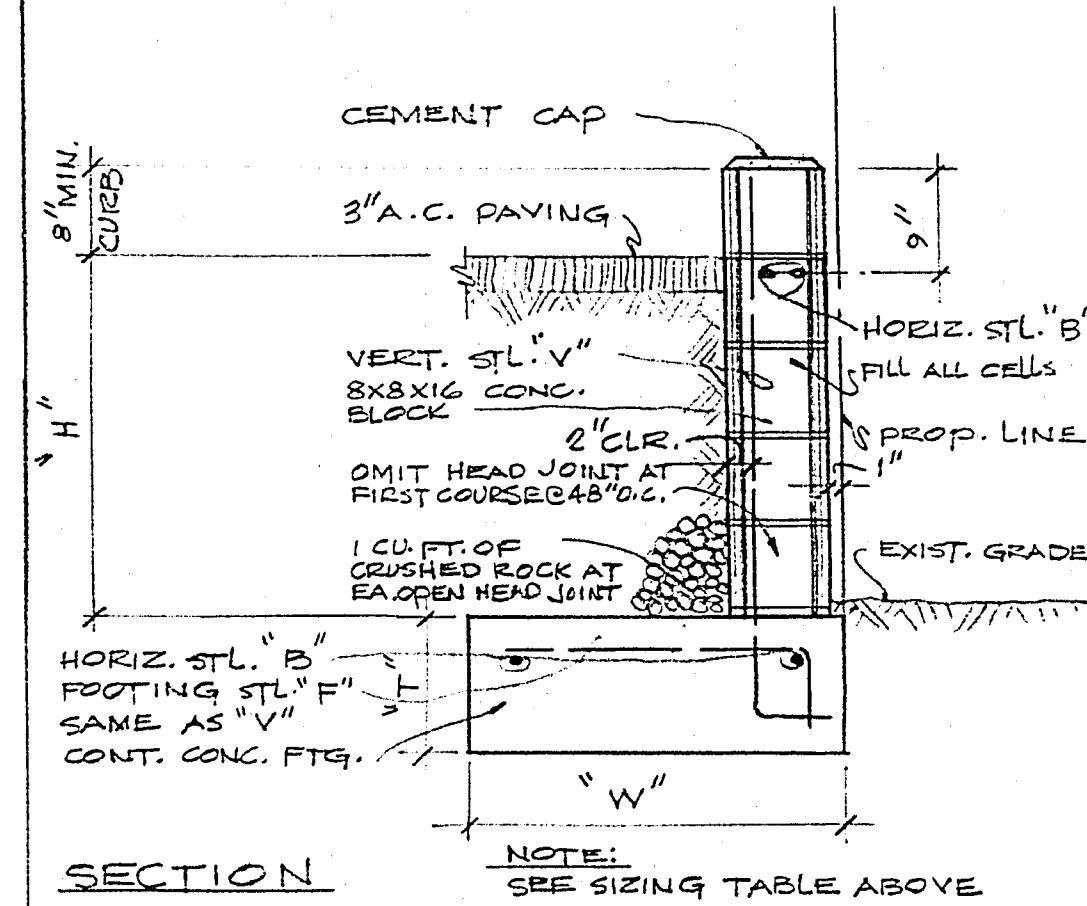


**FOOTING SCHEDULE**

COL. LINE	SHAPE	SIZE	THICK-NESS	DET.	REMARKS
A-1, A-12, H-1	TRIANGLE	5'-6" x 5'-6"	24"	7	
A-2, A-4, A-6, A-8, A-10	RECTANGLE	2'-6" x 6'-0"	16"	10	
B-1, C-1, D-1, E-1	RECTANGLE	3'-0" x 7'-6"	16"	3	
F-1	RECTANGLE	3'-0" x 7'-6" 1'-0" x 7'-6"	4'-4" 1'-0"	4	
G-1	RECTANGLE	3'-6" x 8'-9"	16"	14	
B-6, C-6, D-6, E-6, F-6	SQUARE	4'-6" SQ.	24"	6	
B-12, C-12, D-12, E-12, F-12	SQUARE	5'-0" SQ.	24"	8	
G-3	SQUARE	5'-0" SQ.	24"	8	
G-5, G-7, G-9, G-11	SQUARE	4'-0" SQ.	24"	8	
G-12	SQUARE	4'-0" SQ.	24"	9	
H-1a	RECTANGLE	2'-6" x 6'-8"	12"	2	
H-3a	RECTANGLE	2'-6" x 4'-6"	12"	1	

**SIZING TABLE**

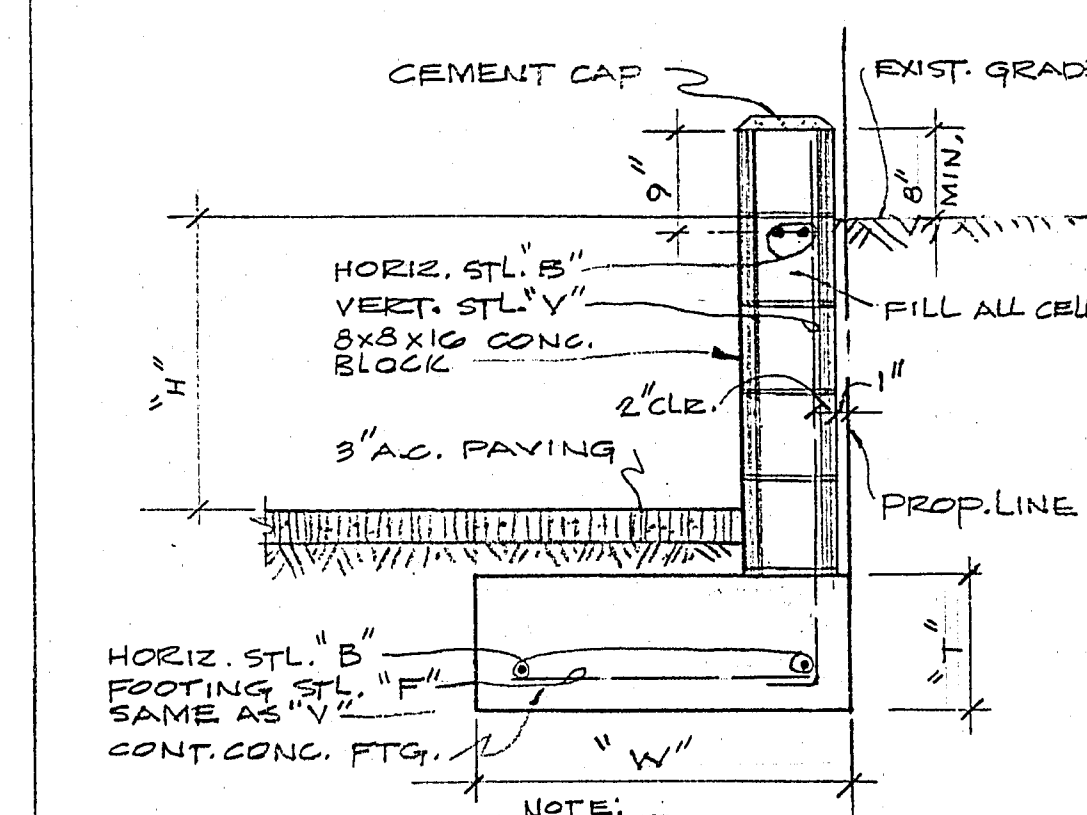
"H"	"W"	"T"	"V"	"B"	"F"
8"	8"	8"	NONE	1-#3 ONLY	NONE
1'-4"	1'-2"	10"	#3 @ 32" O.C.	1-#4 TOP & BOT.	NONE
2'-0"	1'-11"	12"	#3 @ 24" O.C.	1-#4 TOP & BOT.	NONE
2'-8"	2'-6"	12"	#4 @ 32" O.C.	2-#4 TOP & BOT.	#4 @ 32" O.C.
3'-4"	2'-10"	12"	#4 @ 24" O.C.	2-#4	#4 @ 24" O.C.



**SECTION**  
SCALE 3/4" = 1'-0"

**SIZING TABLE**

"H"	"W"	"T"	"V"	"B"	"F"
8"	8"	8"	NONE	1-#3 ONLY	NONE
1'-4"	1'-2"	10"	#3 @ 32" O.C.	1-#4 TOP & BOT.	NONE
2'-0"	1'-9"	12"	#3 @ 24" O.C.	1-#4 TOP & BOT.	NONE
2'-8"	2'-4"	12"	#4 @ 32" O.C.	1-#4 TOP & BOT.	#4 @ 32" O.C.



**SECTION**  
SCALE 3/4" = 1'-0"

WHOLESALE/RETAIL DISTRIBUTION CENTER  
 SMART AND FINAL IRIS CO.  
 1101 MAIN ST. LAS VEGAS, NEVADA

JACK H. MACDONALD  
 ARCHITECTS AND ENGINEERS  
 321 S. SAN VICENTE BLVD. LOS ANGELES 90048 272-3131

DATE 1/17/04  
 LAB NO. 2004  
 APPROVED BY [Signature]  
 CHECKED BY [Signature]

SHEET NO. 5