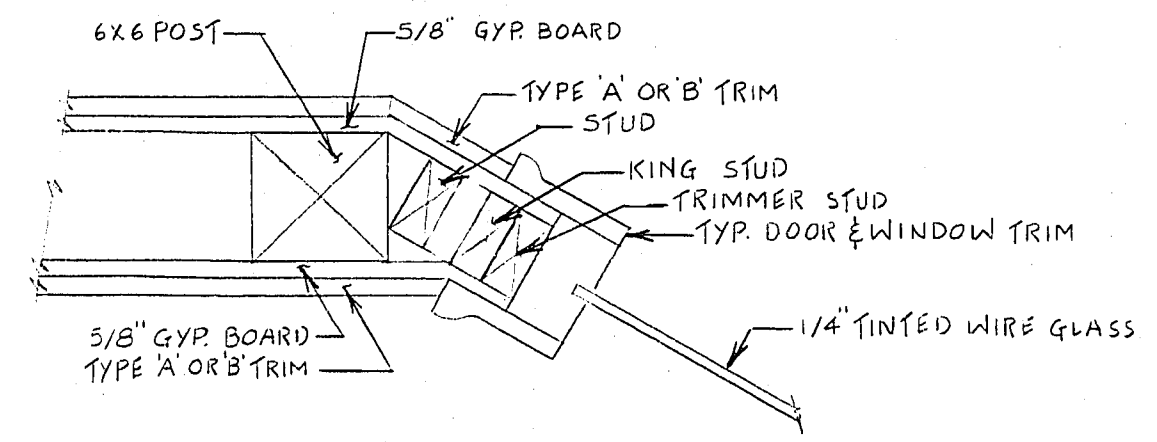
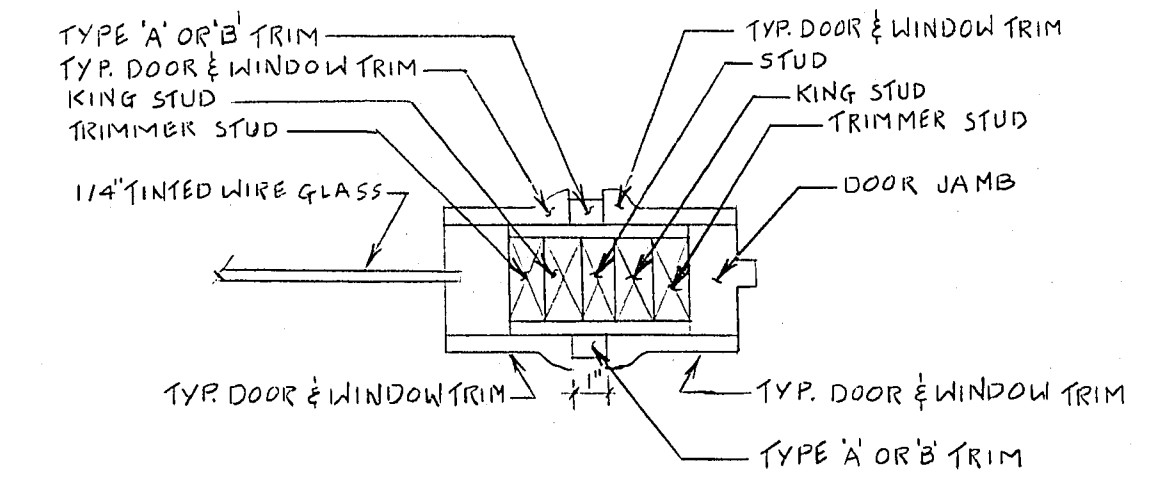


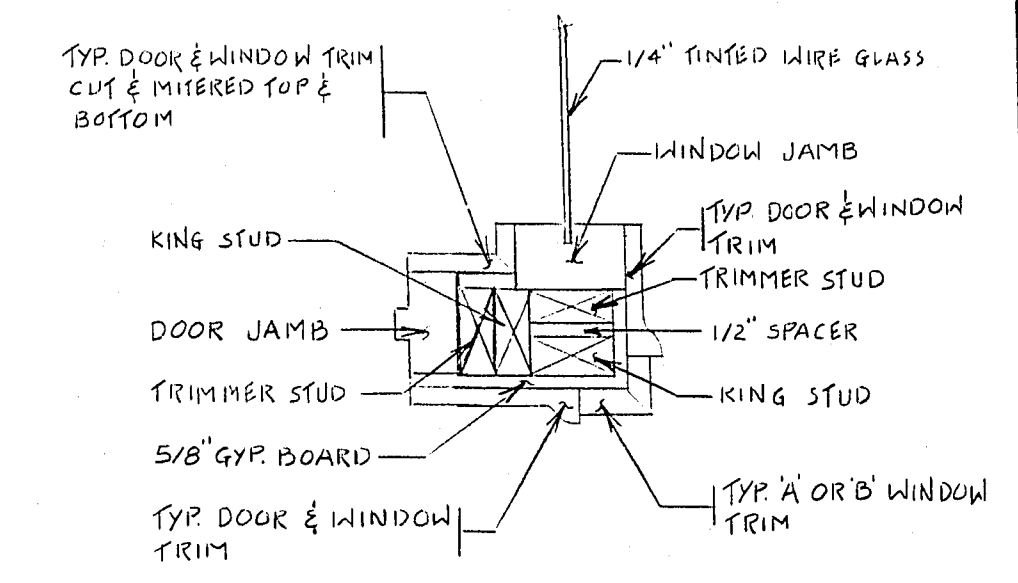
TYPICAL WINDOW FRAME X-SECTION
SCALE 1-1/2" = 1'-0"



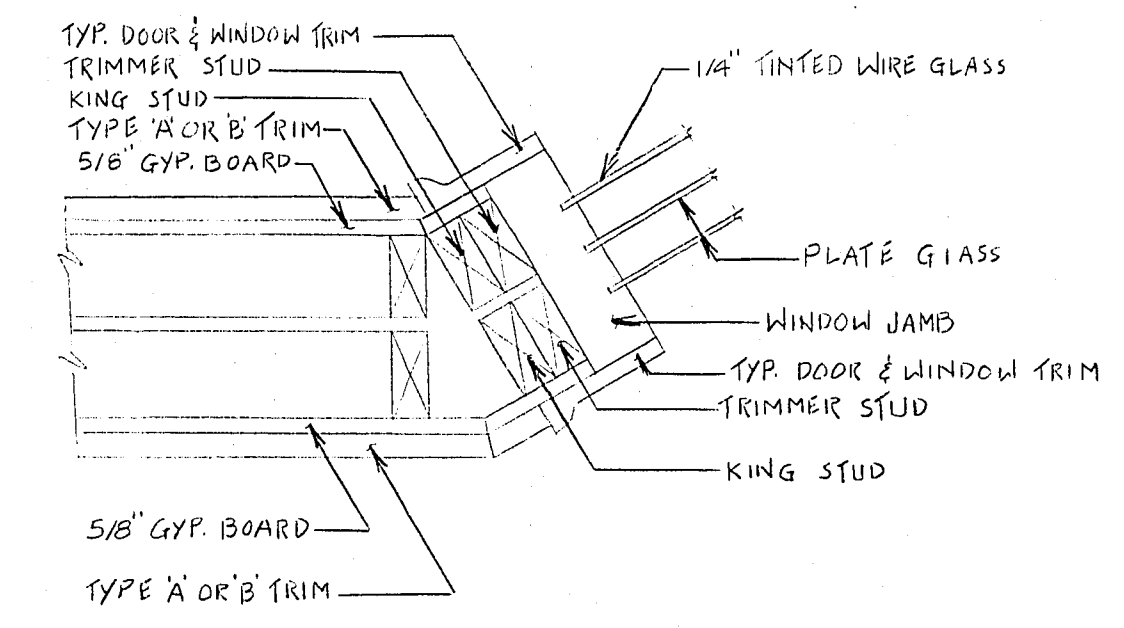
D SECTION
SCALE 1-1/2" = 1'-0"



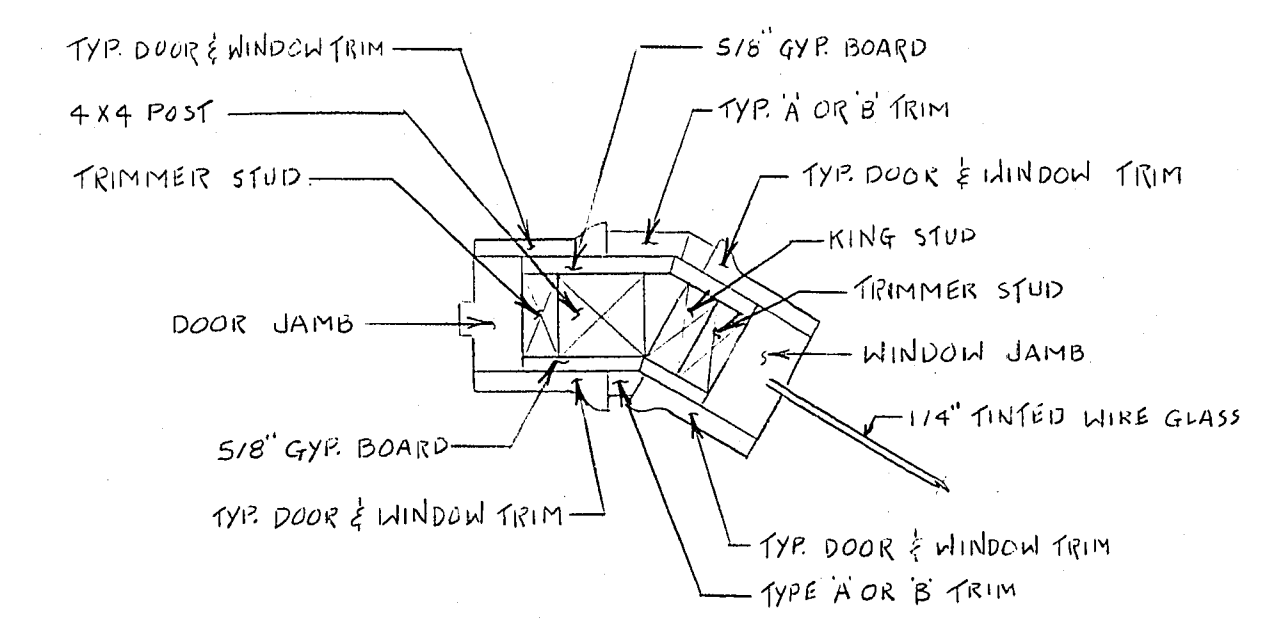
E SECTION
SCALE 1-1/2" = 1'-0"



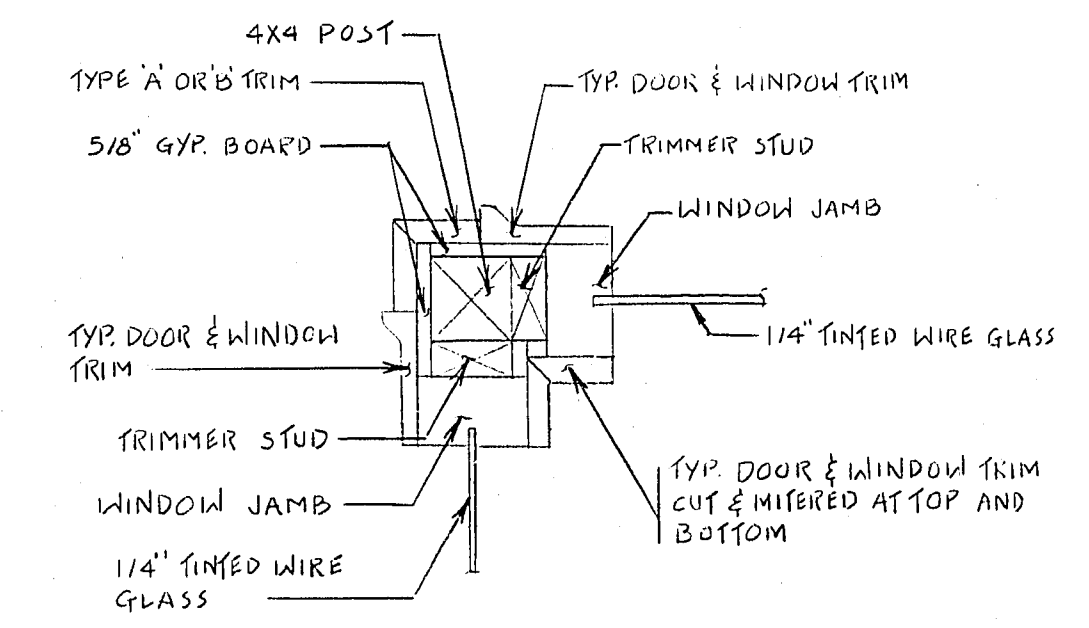
F SECTION
SCALE 1-1/2" = 1'-0"



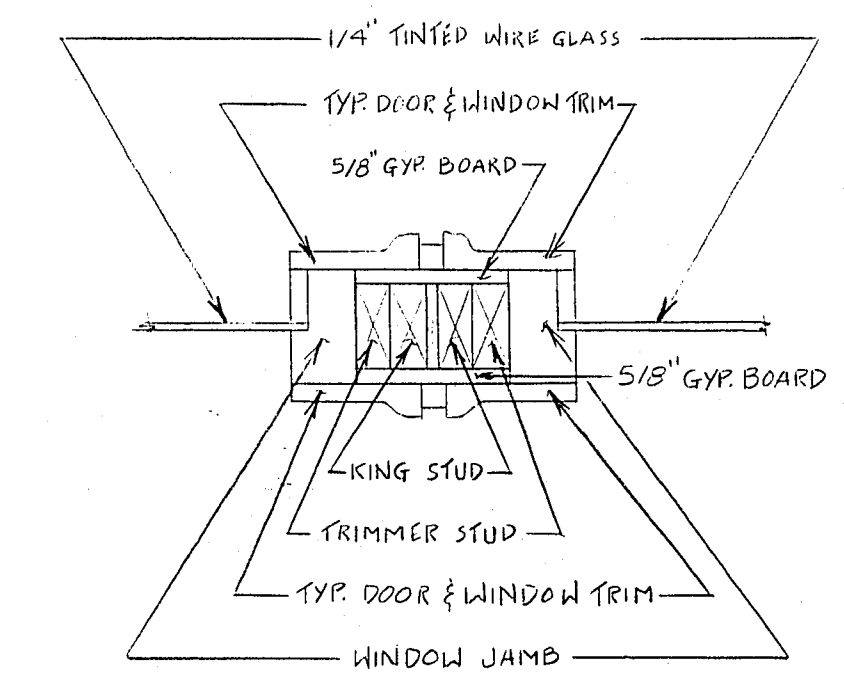
G SECTION
SCALE 1-1/2" = 1'-0"



H SECTION
SCALE 1-1/2" = 1'-0"



I SECTION
SCALE 1-1/2" = 1'-0"



J SECTION
SCALE 1-1/2" = 1'-0"

THIS SHEET IS A REVISED
DRAWING OF SHEET 21

APPROVED BY *Robert S. Hump*

22 MAR 83
DATE

Department of Public Services Engineering Design Division		Scale (V) Scale (H) 1-1/2" = 1'-0"		W.U. 2162	
Clarification of Sections "D" THRU "J" SHEET No. 21		Design by BOB HAMP Approved by the City Engineer		Drawn by BOB HAMP Date	
Westside School Renovation BID No. 83.3550-4		File. bk. no.		Revisions	
City of Las Vegas Nevada		Drawing no. 513-51		Date	

AS BUILT