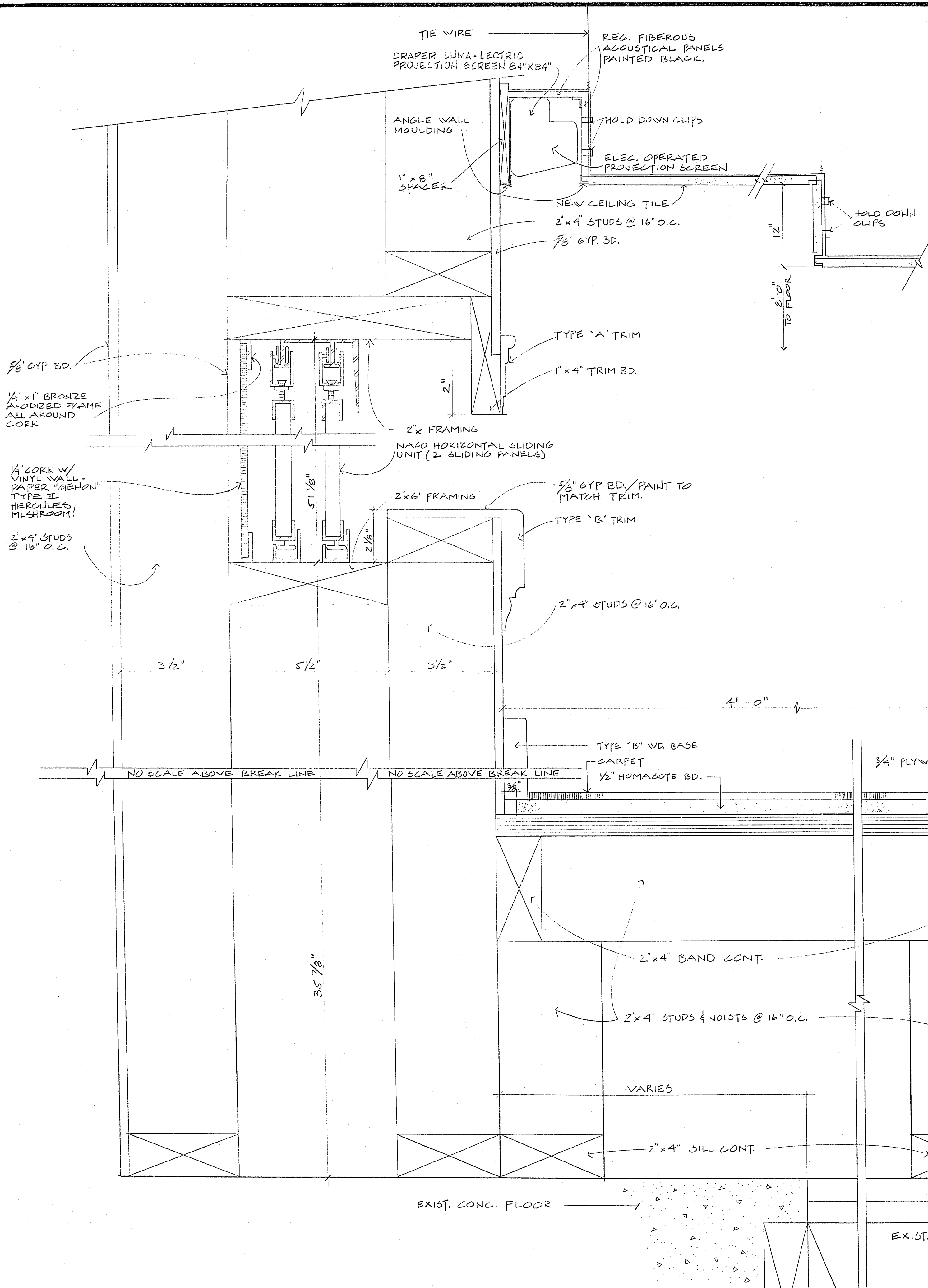
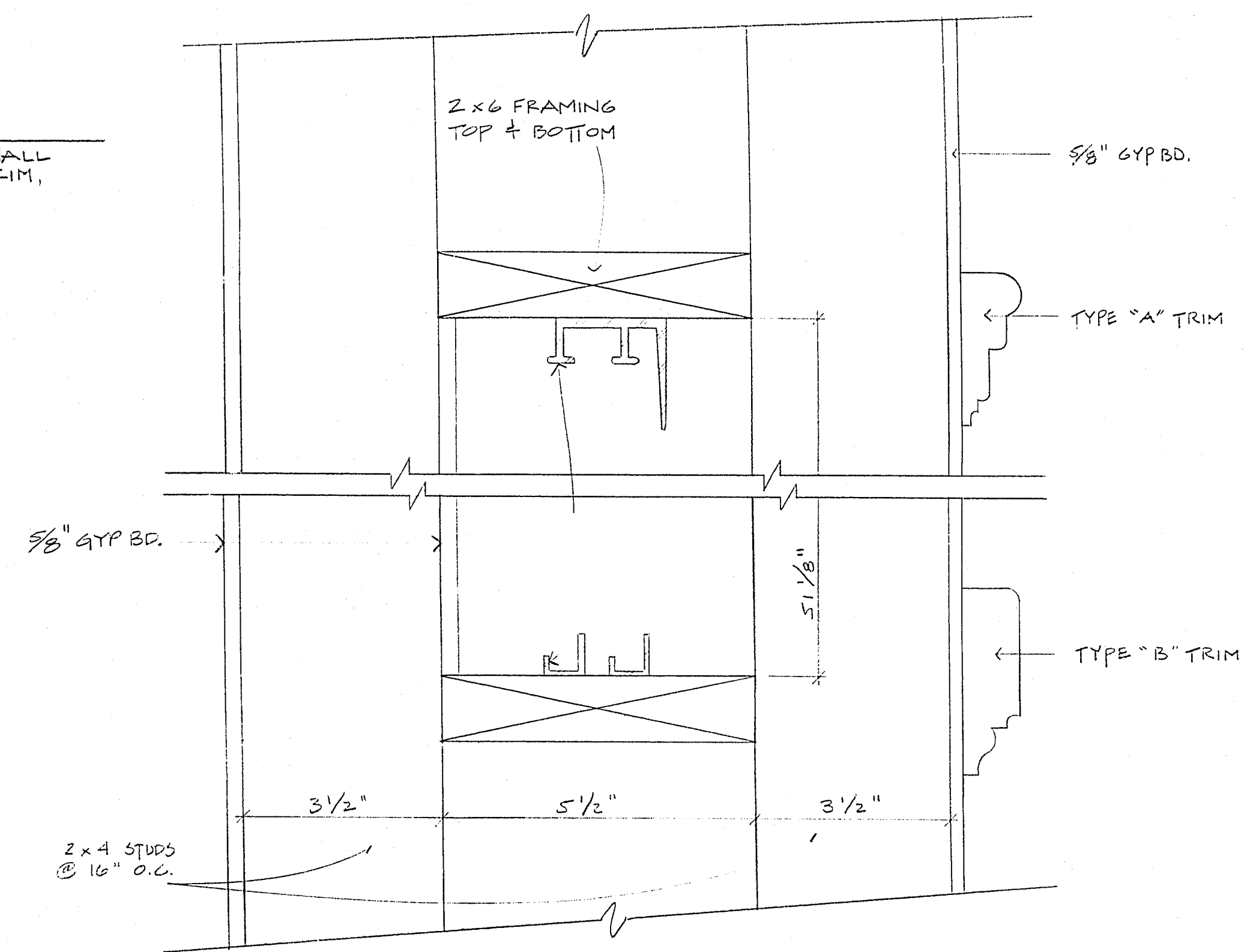




City of Las Vegas, Nevada
Office of Architectural Services and Project Control
 Don J. Saylor A.I.P. Deputy City Manager

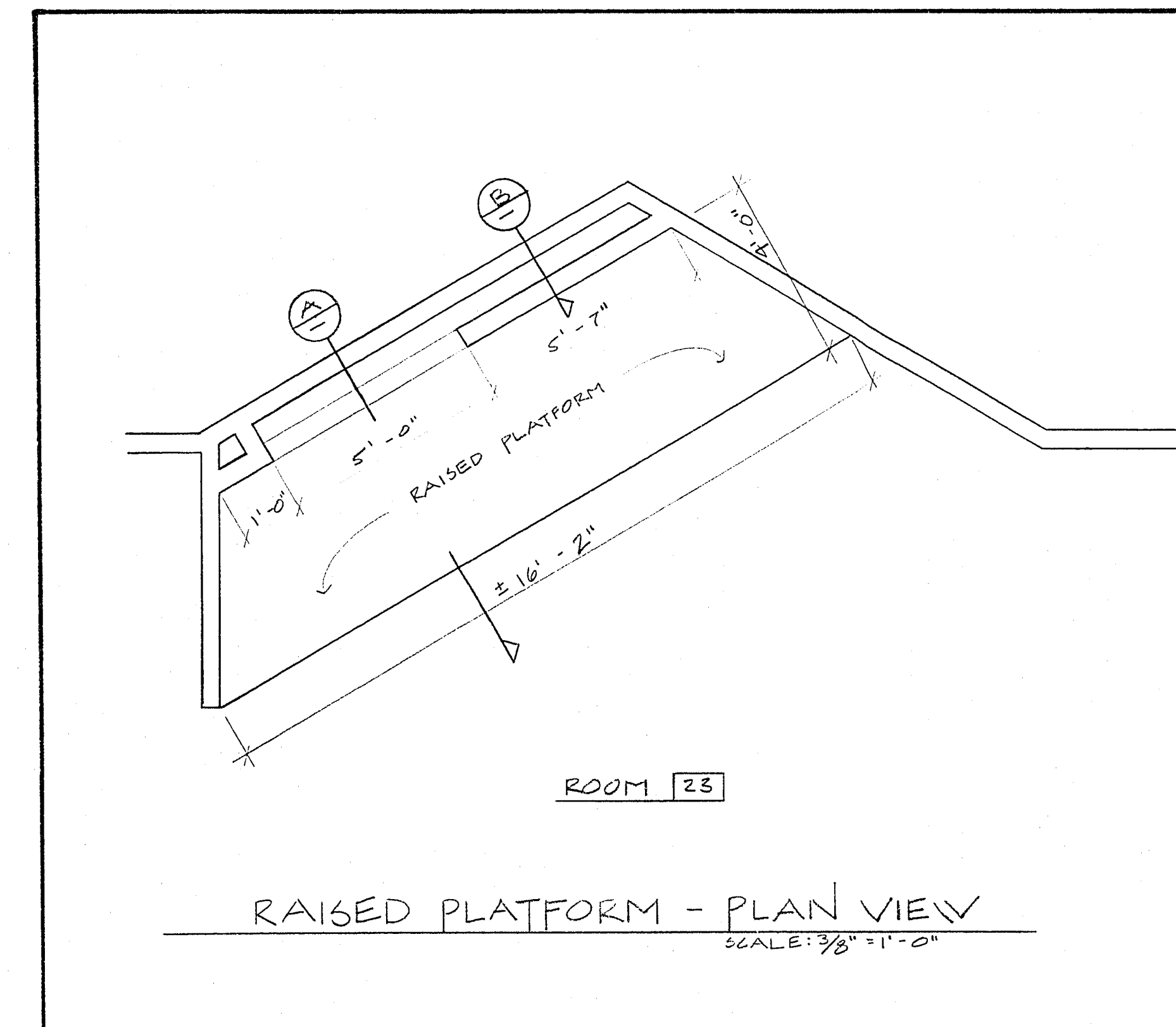


NOTE
 PAINT ALL VISIBLE DISPLAY WALL CAVITY AREAS TO MATCH TRIM, UNLESS NOTED OTHERWISE.



(B) SECTION THROUGH VISUAL DISPLAY SYSTEM
 SCALE: 1/2" = 1'

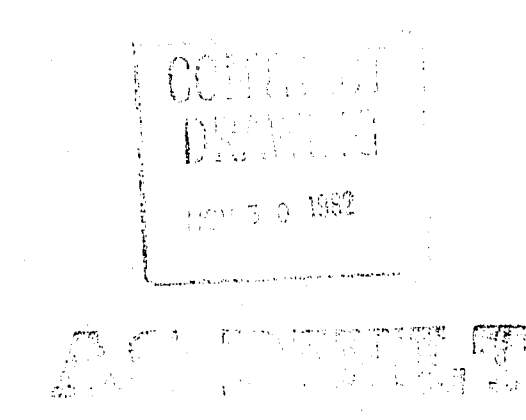
(A) SECTION
 SCALE: 1/2" = 1'



RAISED PLATFORM - PLAN VIEW
 SCALE: 3/8" = 1'-0"

WEST SIDE SCHOOL RENOVATION
 RAISED PLATFORM & VISUAL DISPLAY WALL DETAILS

Design By: R. RUEGG	Date: 8-82	Revised By:	Date:
Drawn By: F. TEDIANO	Date: 8-82	Revised By:	Date:
Division: TECHNICAL SERVICES		Scale: AS SHOWN	



11-18-82

