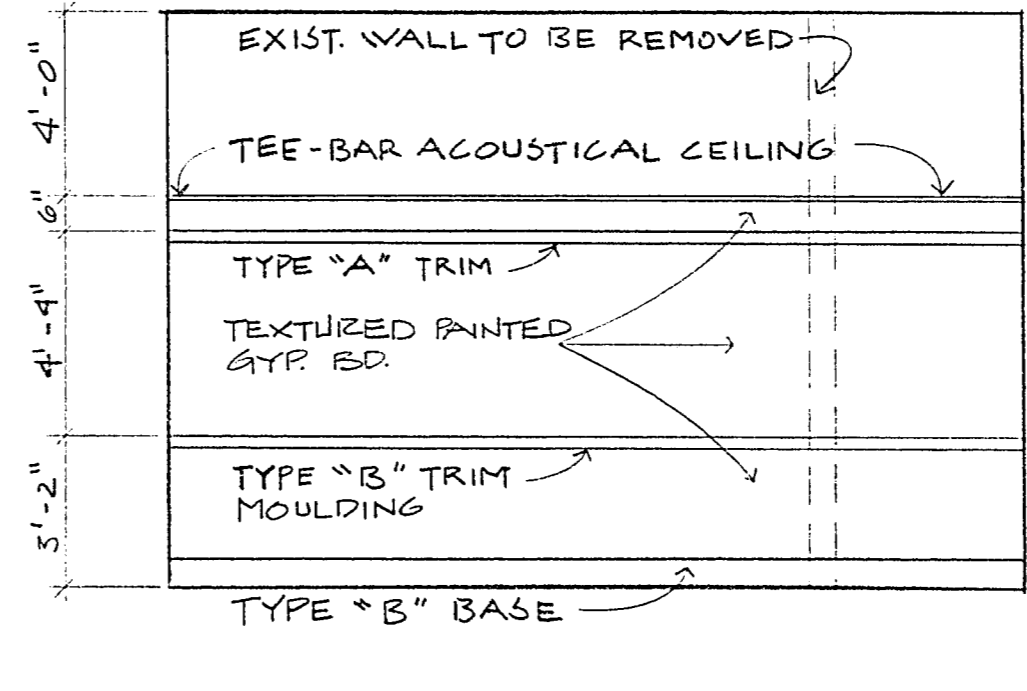
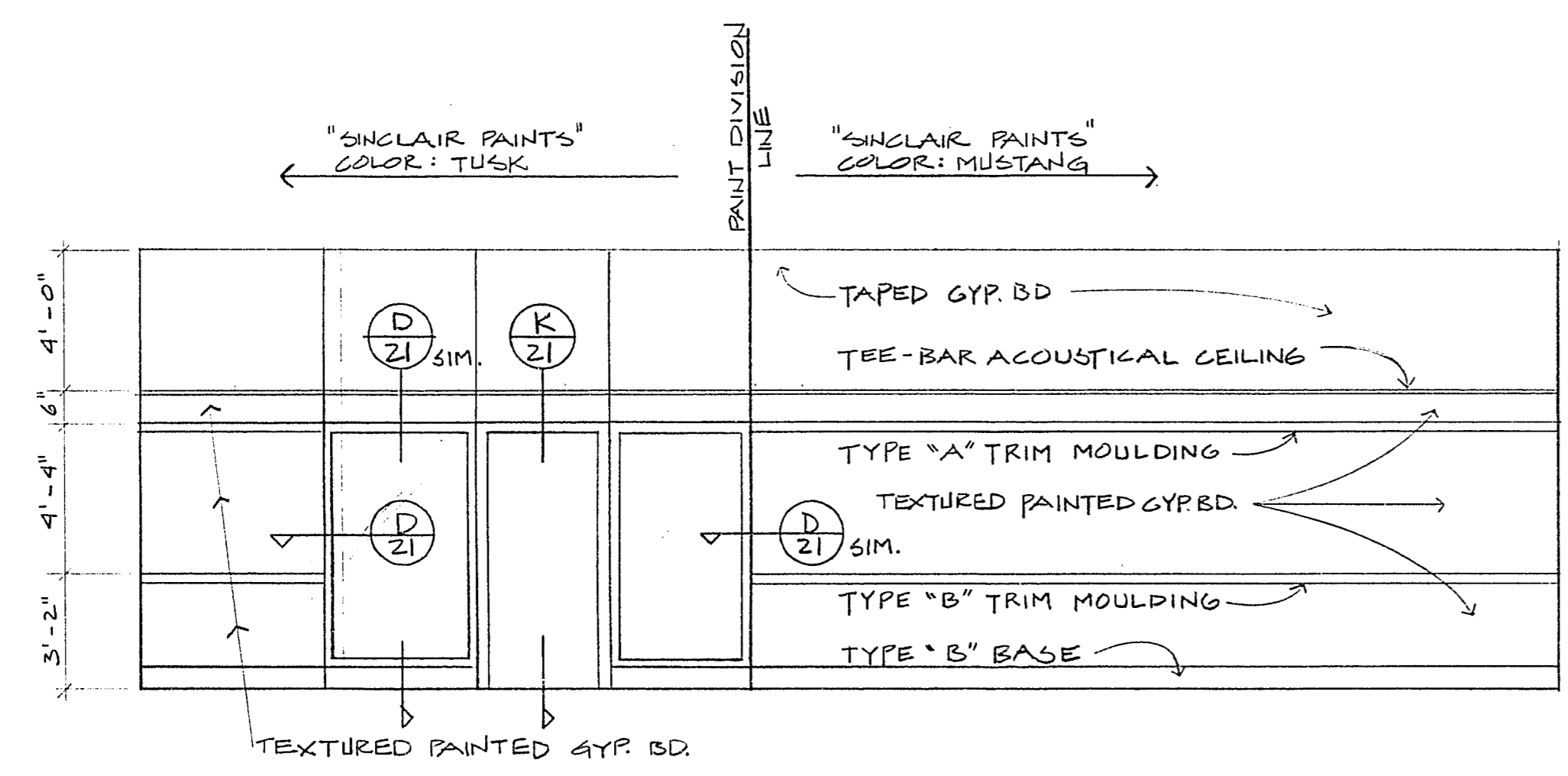


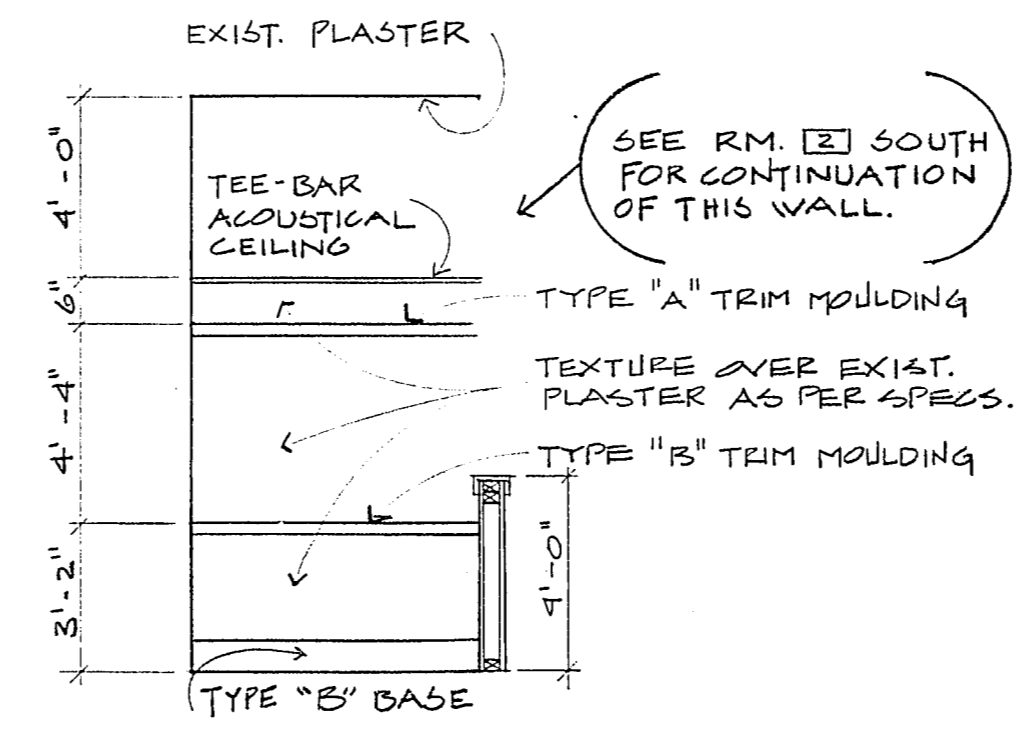
ROOM 1 WEST  
SCALE: 1/4" = 1'-0"



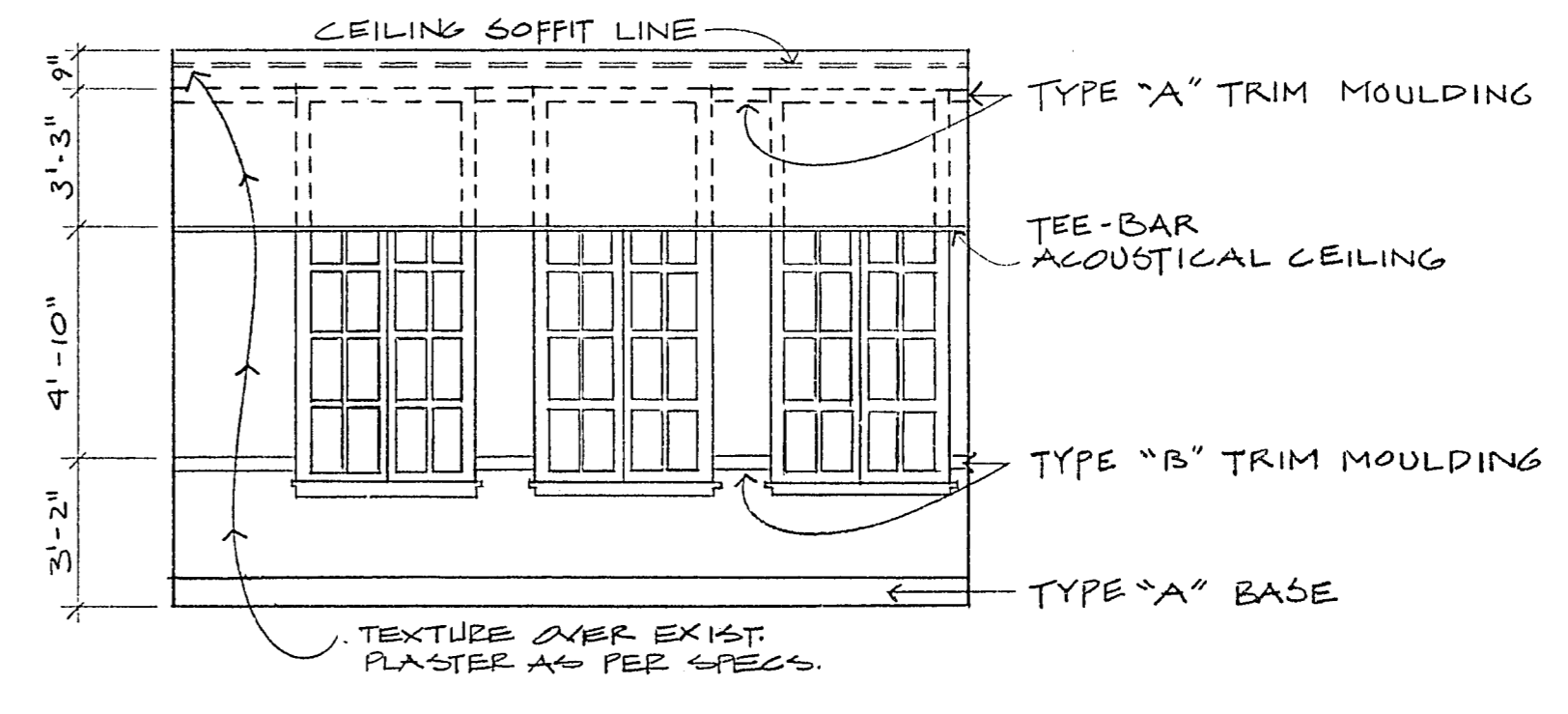
ROOM 1 NORTH  
SCALE: 1/4" = 1'-0"



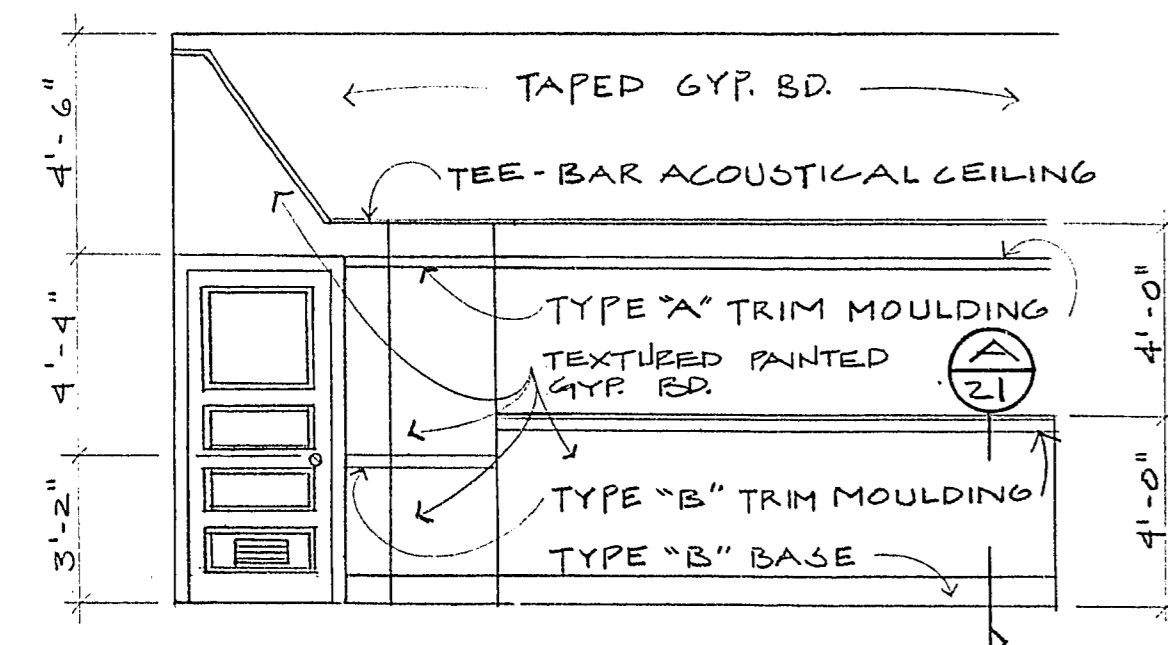
ROOM 1 EAST (FOLDED OUT)  
SCALE: 1/4" = 1'-0"



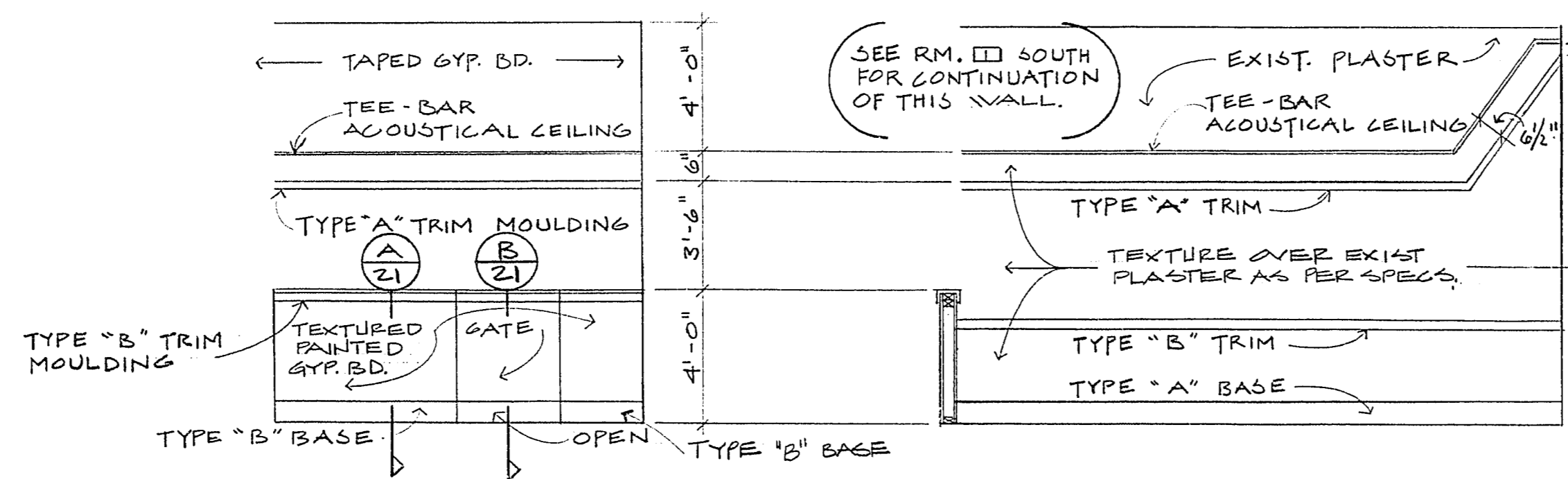
ROOM 1 SOUTH  
SCALE: 1/4" = 1'-0"



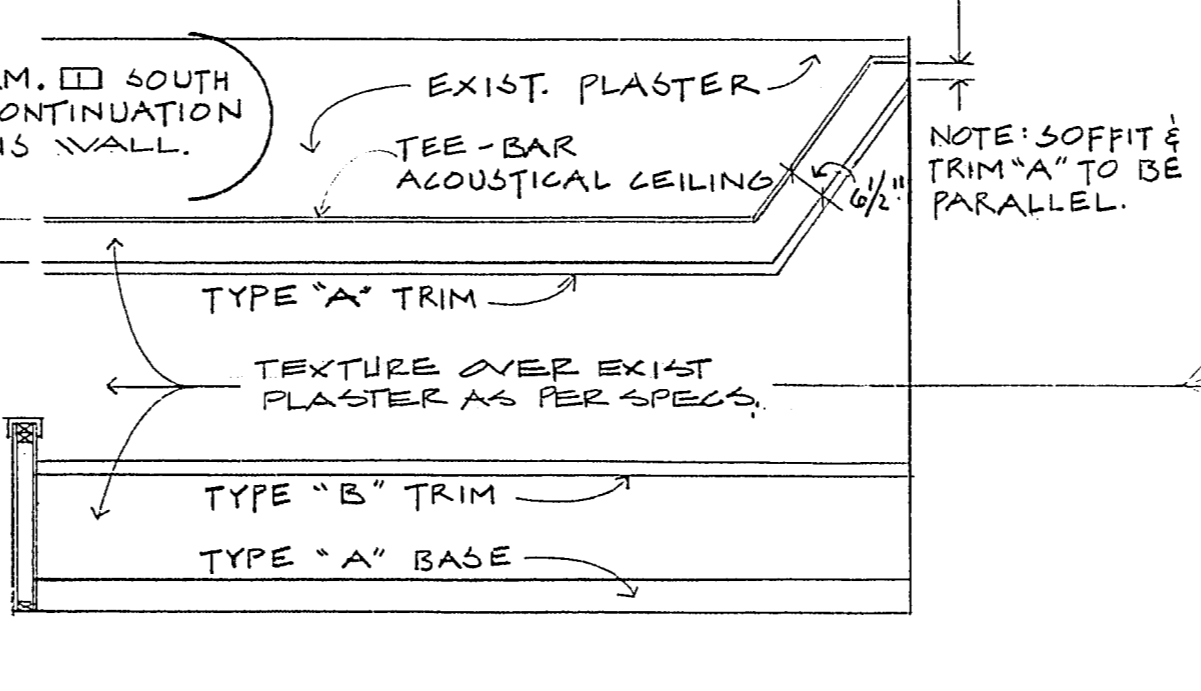
ROOM 2 WEST  
SCALE: 1/4" = 1'-0"



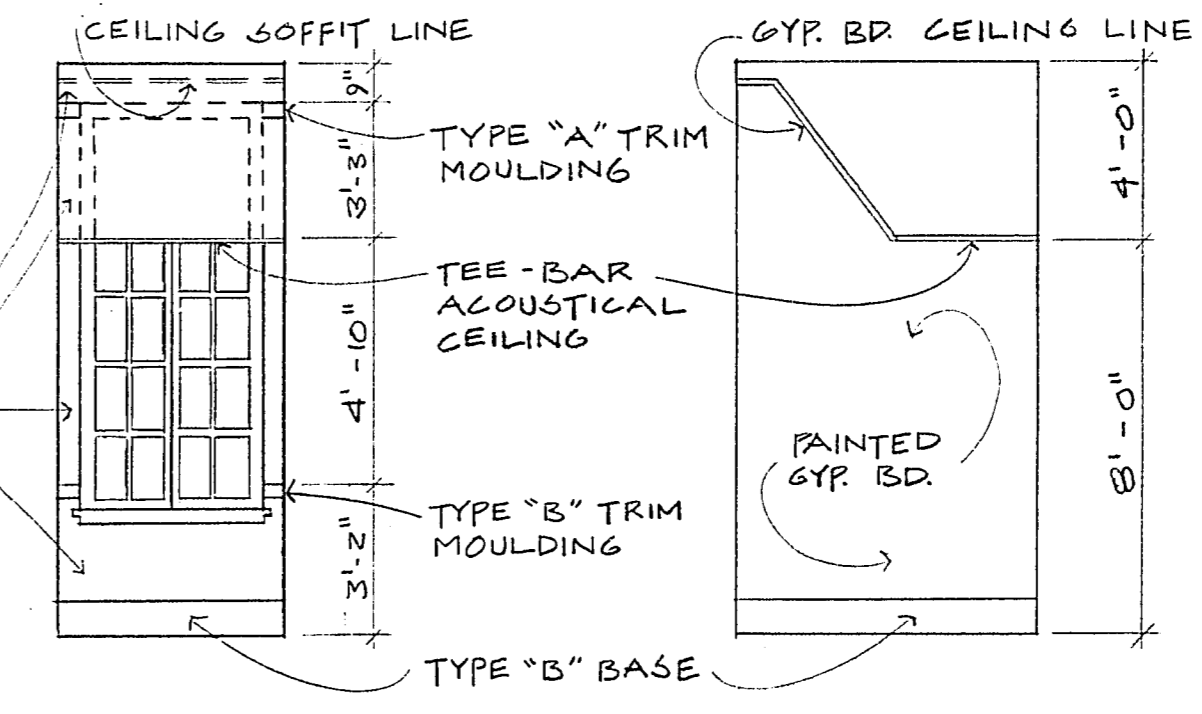
ROOM 2 NORTH  
SCALE: 1/4" = 1'-0"



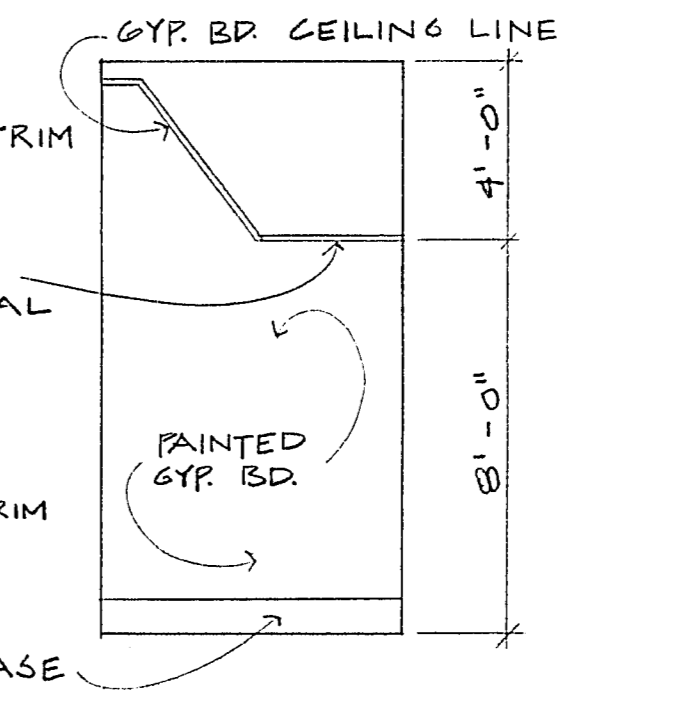
ROOM 2 EAST  
SCALE: 1/4" = 1'-0"



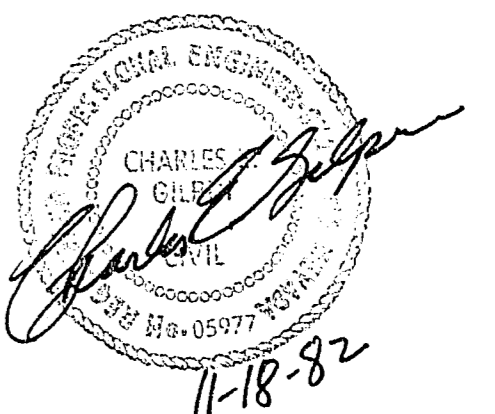
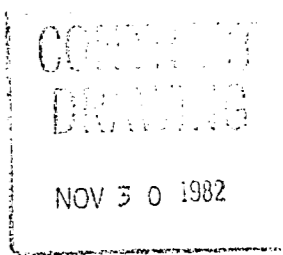
ROOM 2 SOUTH  
SCALE: 1/4" = 1'-0"



ROOM 2 WEST  
SCALE: 1/4" = 1'-0"



ROOM 2 NORTH  
SCALE: 1/4" = 1'-0"



**City of Las Vegas, Nevada**  
Office of Architectural Services and Project Control  
Don J. Saylor A.I.P. Deputy City Manager

WEST SIDE SCHOOL RENOVATION  
INTERIOR ELEVATIONS  
Design By: R. Elledge Date: 8-82  
Drawn By: E. Trellano Date: 8-82  
Division: TECHNICAL SERVICES Scale: 1/4" = 1'-0"

Sheet 12  
Drawing no: 513-53  
of 57  
11-18-82

AS BUILT