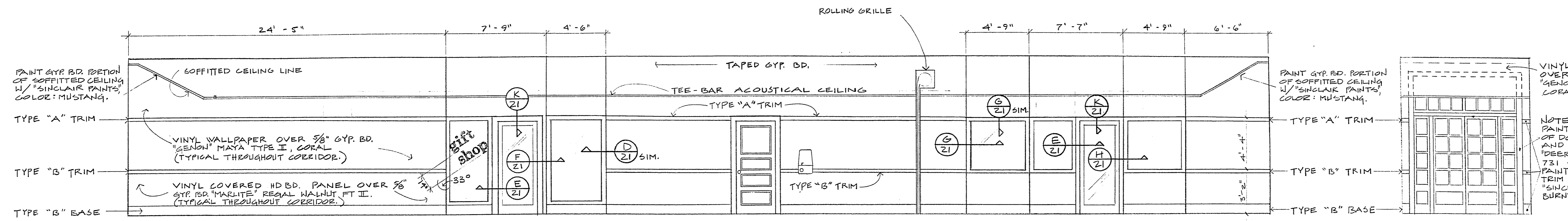


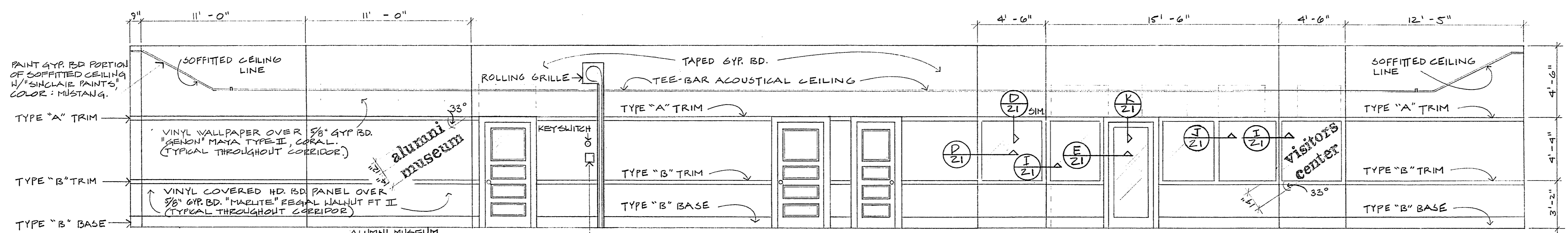
City of Las Vegas, Nevada
Office of Architectural Services and Project Control
 Don J. Saylor A.I.P. Deputy City Manager



SIGN TO BE 12" H. LETTERS PAINTED ON GLASS (CORRIDOR SIDE); STYLE: CENTURY SCHOOLBOOK BOLD (LETRASSET BRAND). COLOR TO BE APPROVED BY OWNER.

ROOM 16 WEST (FOLDED OUT)
 SCALE: 1/4" = 1'-0"

ROOM 16 NORTH
 SCALE: 1/4" = 1'-0"

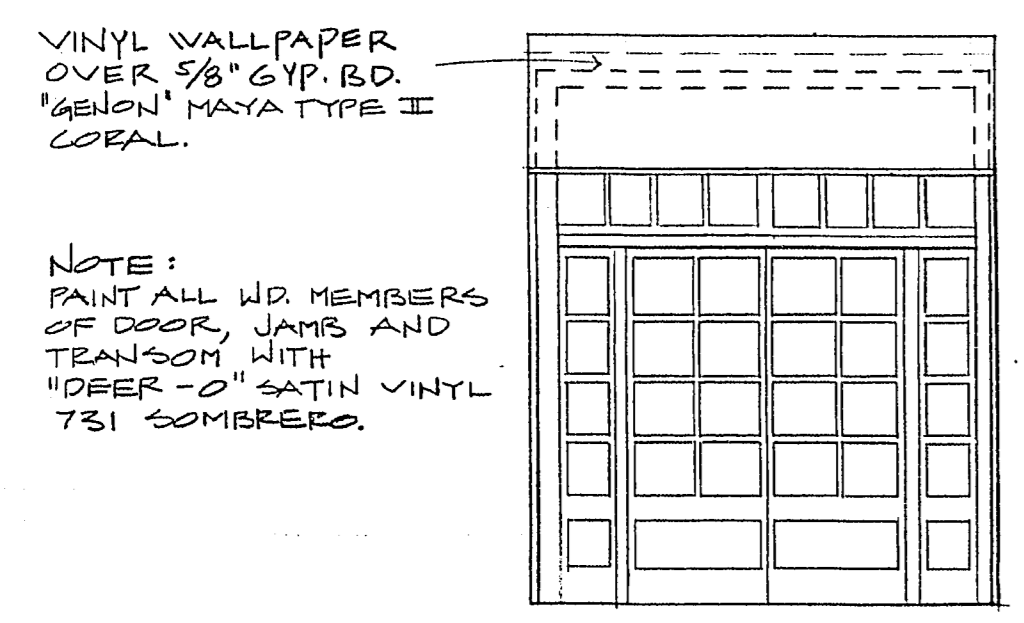


ALUMNI MUSEUM SIGN TO BE 12" H. LETTERS CUT FROM 1/4" THICK PLEXIGLASS; STYLE: CENTURY SCHOOLBOOK BOLD (LETRASSET BRAND). COLOR TO BE APPROVED BY OWNER. SUBMIT SHOP DRAWINGS FOR INSTALLATION METHOD & MATERIALS. SUBMIT ACTUAL LETTER SAMPLE FOR QUALITY REFERENCE.

6" x 6" SIGN TO READ "GRILLE TO REMAIN OPEN WHEN ALUMNI MUSEUM IS IN USE." MATERIAL, LAYOUT & METHOD OF ATTACHMENT TO BE APPROVED BY OWNER PRIOR TO FABRICATION.

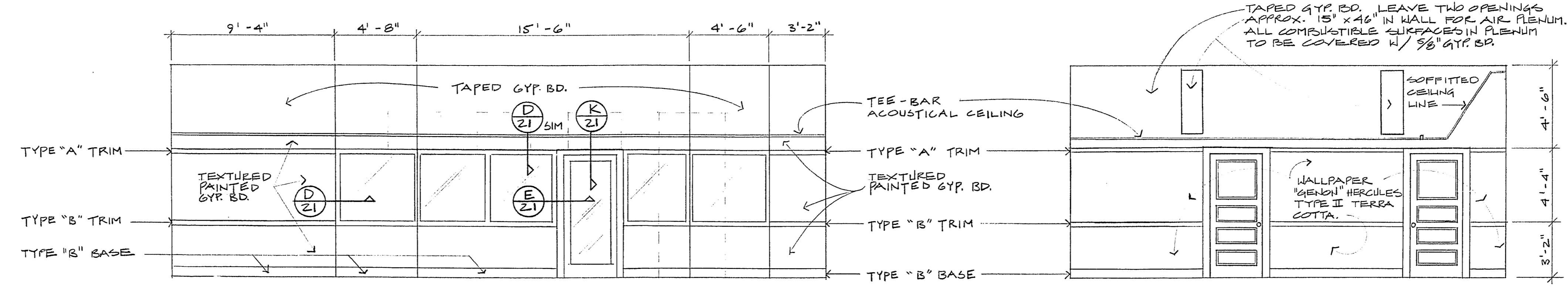
ROOM 16 EAST (FOLDED OUT)
 SCALE: 1/4" = 1'-0"

SIGN TO BE 12" H. LETTERS PAINTED ON GLASS (CORRIDOR SIDE); STYLE: CENTURY SCHOOLBOOK BOLD (LETRASSET BRAND). COLOR TO BE APPROVED BY OWNER.



NOTE: PAINT ALL WD. MEMBERS OF DOOR, JAMB AND TRANSOM WITH "DEER-O" SATIN VINYL 731 SOMBERO.

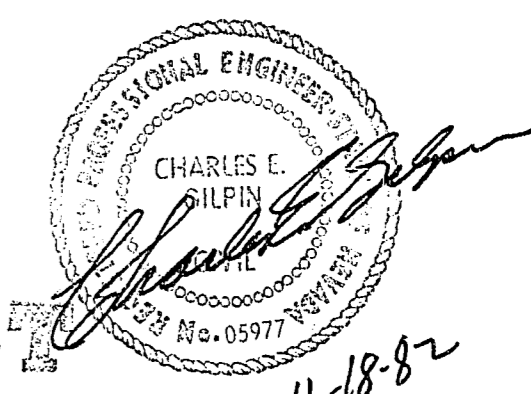
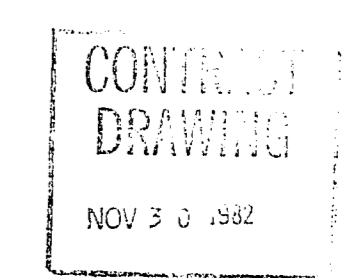
ROOM 16 SOUTH
 SCALE: 1/4" = 1'-0"



TAPED GYP. BD. LEAVE TWO OPENINGS APPROX. 15" x 46" IN WALL FOR AIR FLENUM. ALL COMBUSTIBLE SURFACES IN FLENUM TO BE COVERED W/ 5/8" GYP. BD.

ROOM 17 WEST (FOLDED OUT)
 SCALE: 1/4" = 1'-0"

ROOM 17 NORTH
 SCALE: 1/4" = 1'-0"



AS BUILT

11-18-82

WEST SIDE SCHOOL RENOVATION
 INTERIOR ELEVATIONS

Design By: E. BLEASIE	Reviewed By: _____	Date: 8-82
Drawn By: F. TELFORD	Revised By: _____	Date: 8-82
Division: TECHNICAL SERVICES	Scale: 1/4" = 1'-0"	

