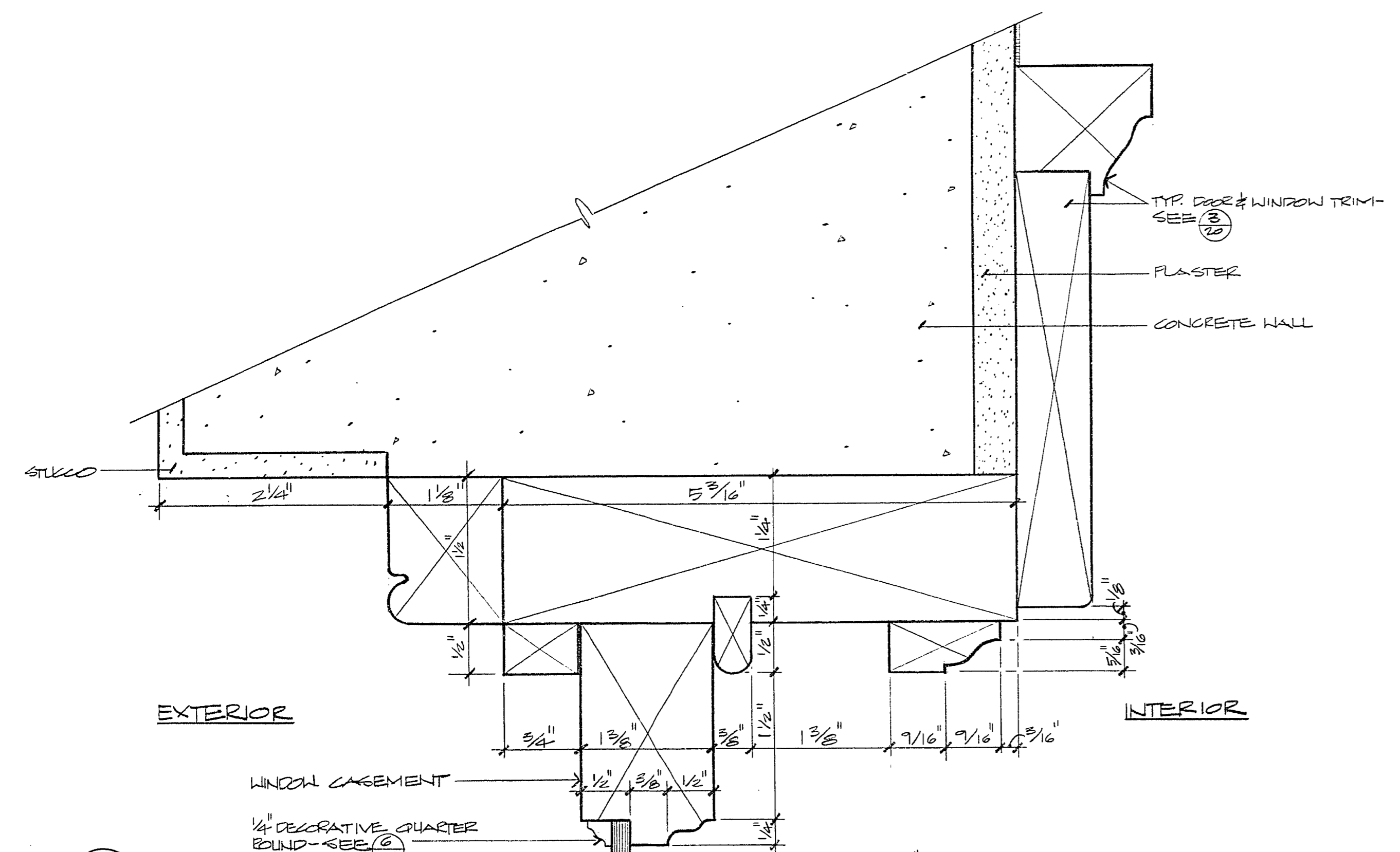
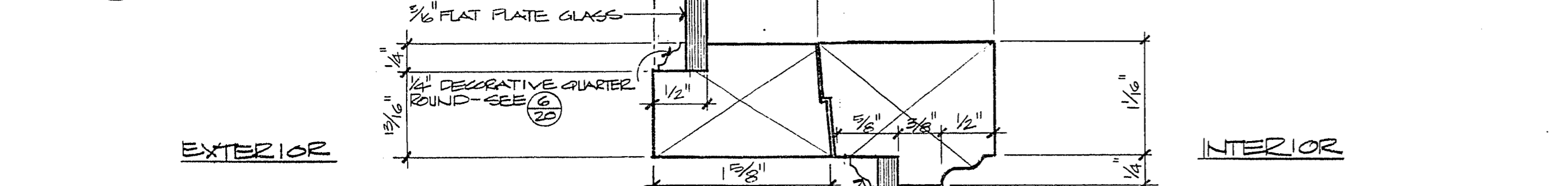


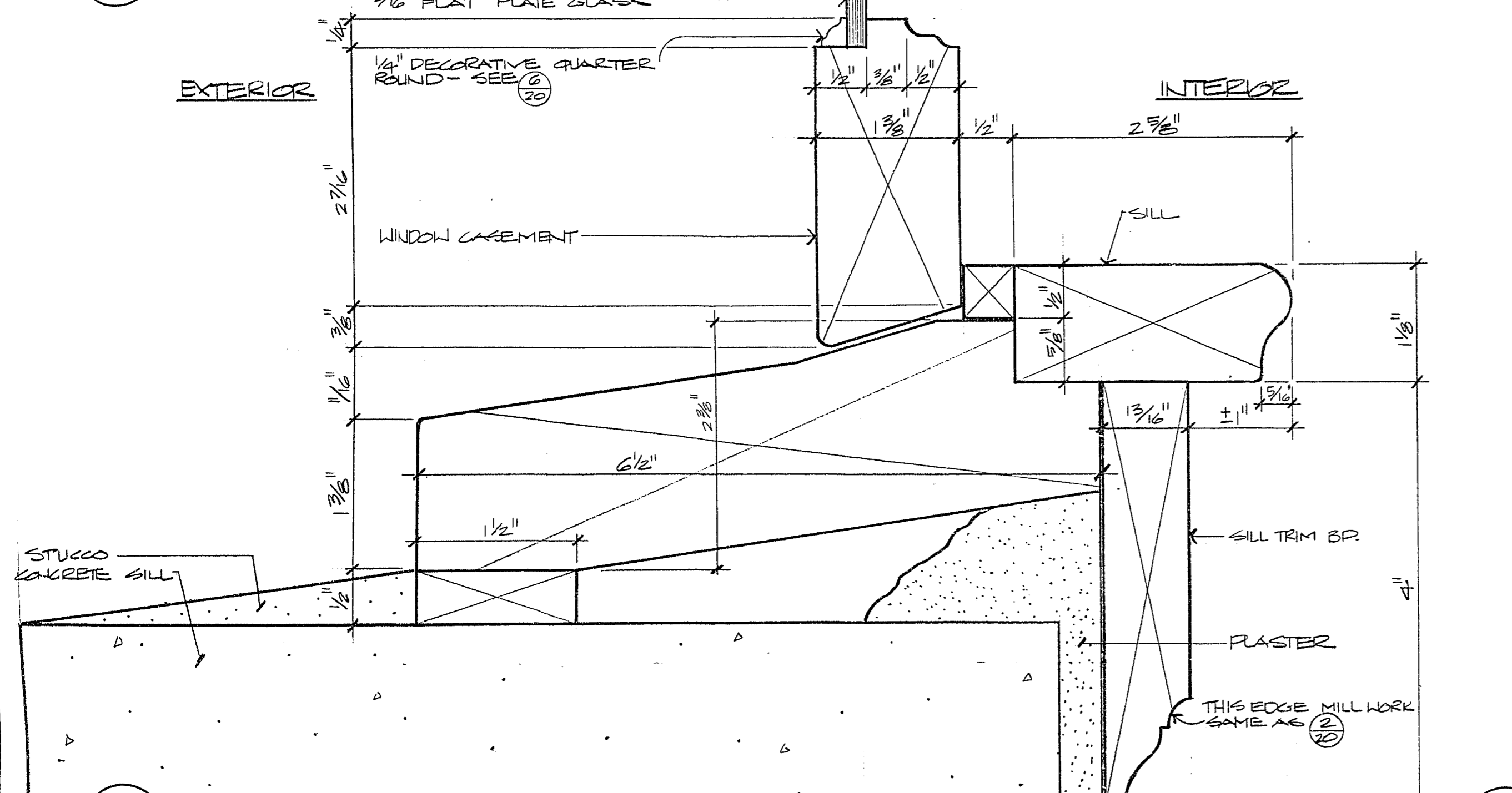
City of Las Vegas, Nevada
 Office of Architectural
 Services and Project Control
 Don J. Saylor, A.I.P., Deputy City Manager



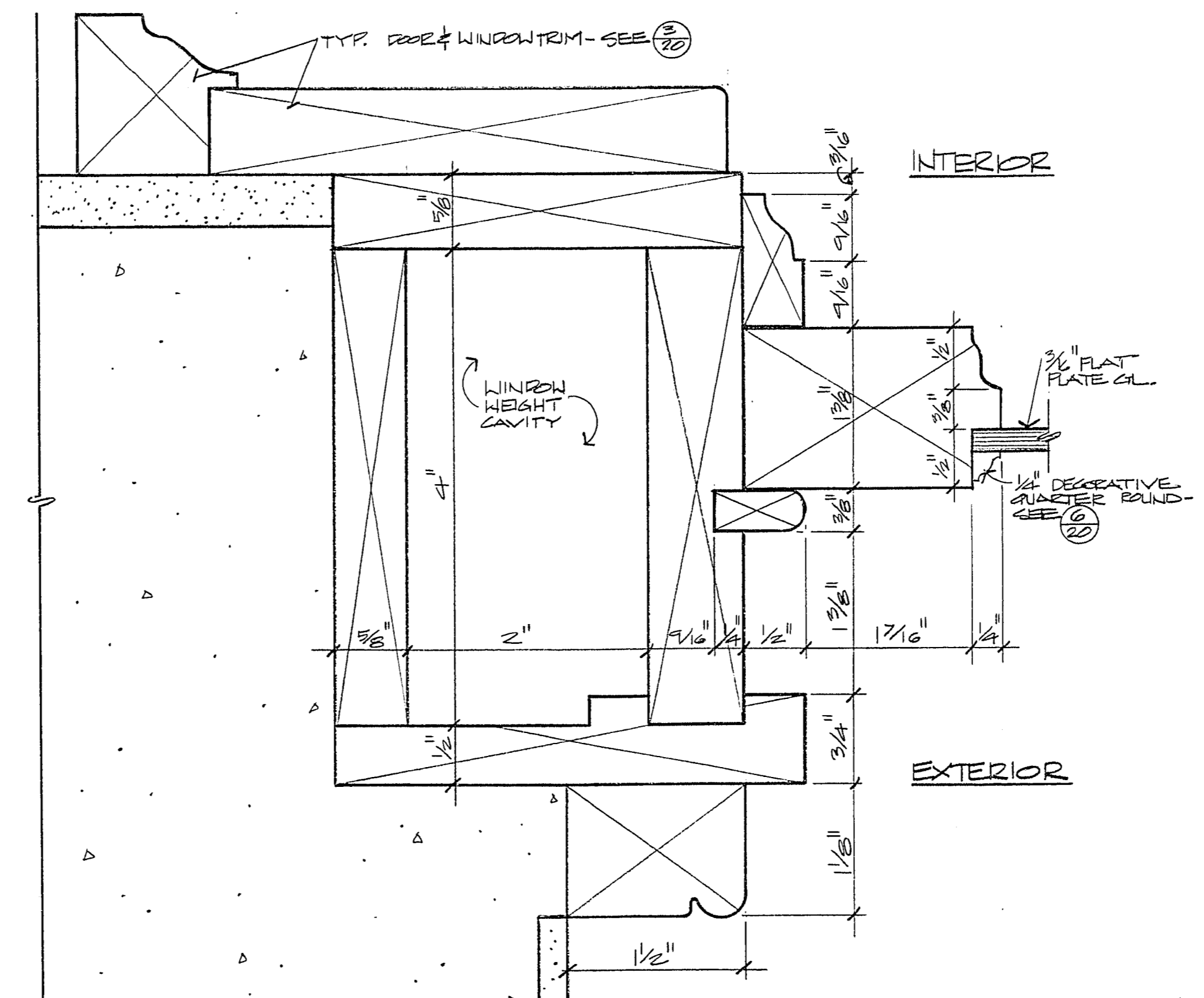
1 HEADER DETAIL
 FULL SCALE



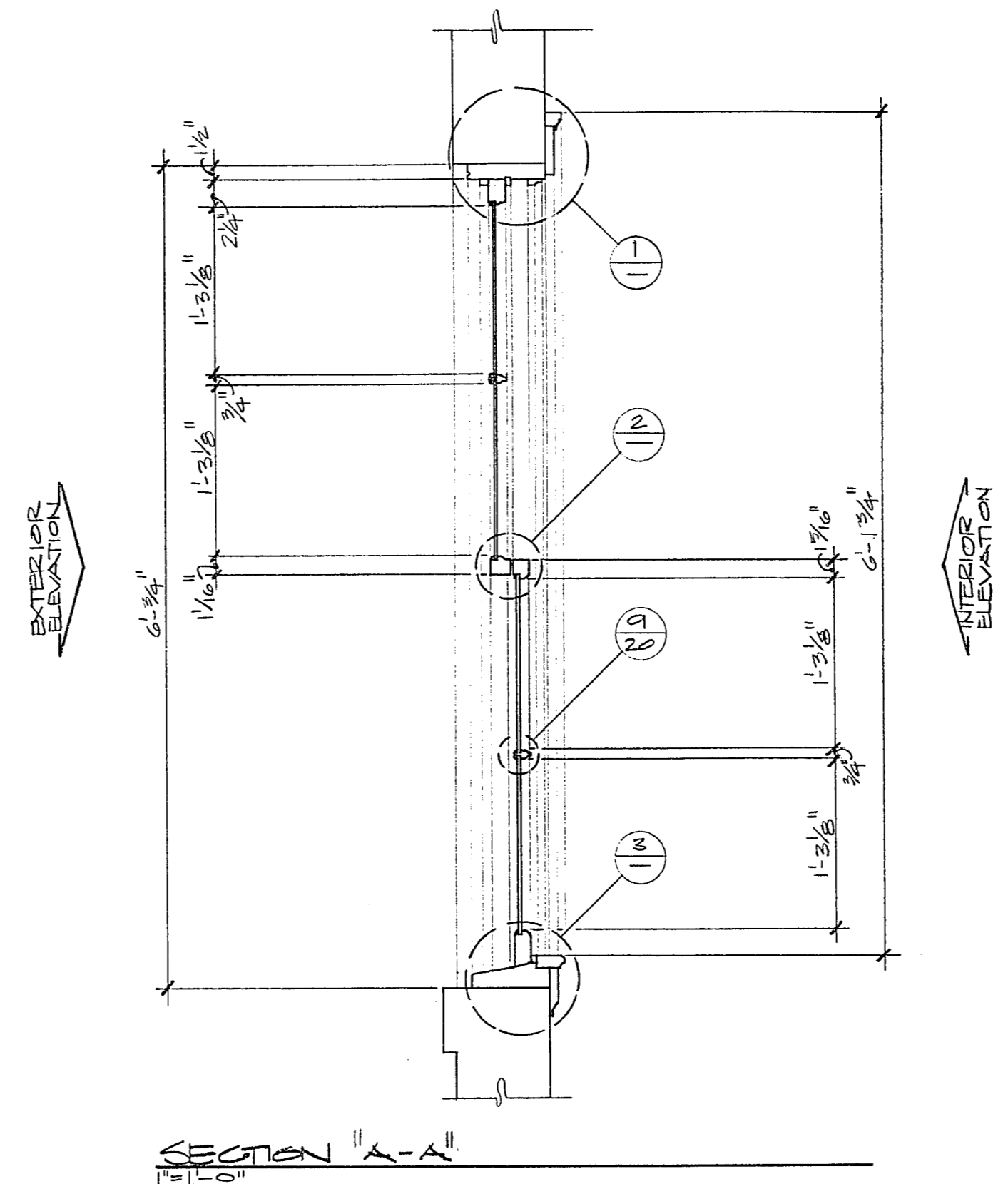
2 CENTER CASEMENTS 1/4\"/>



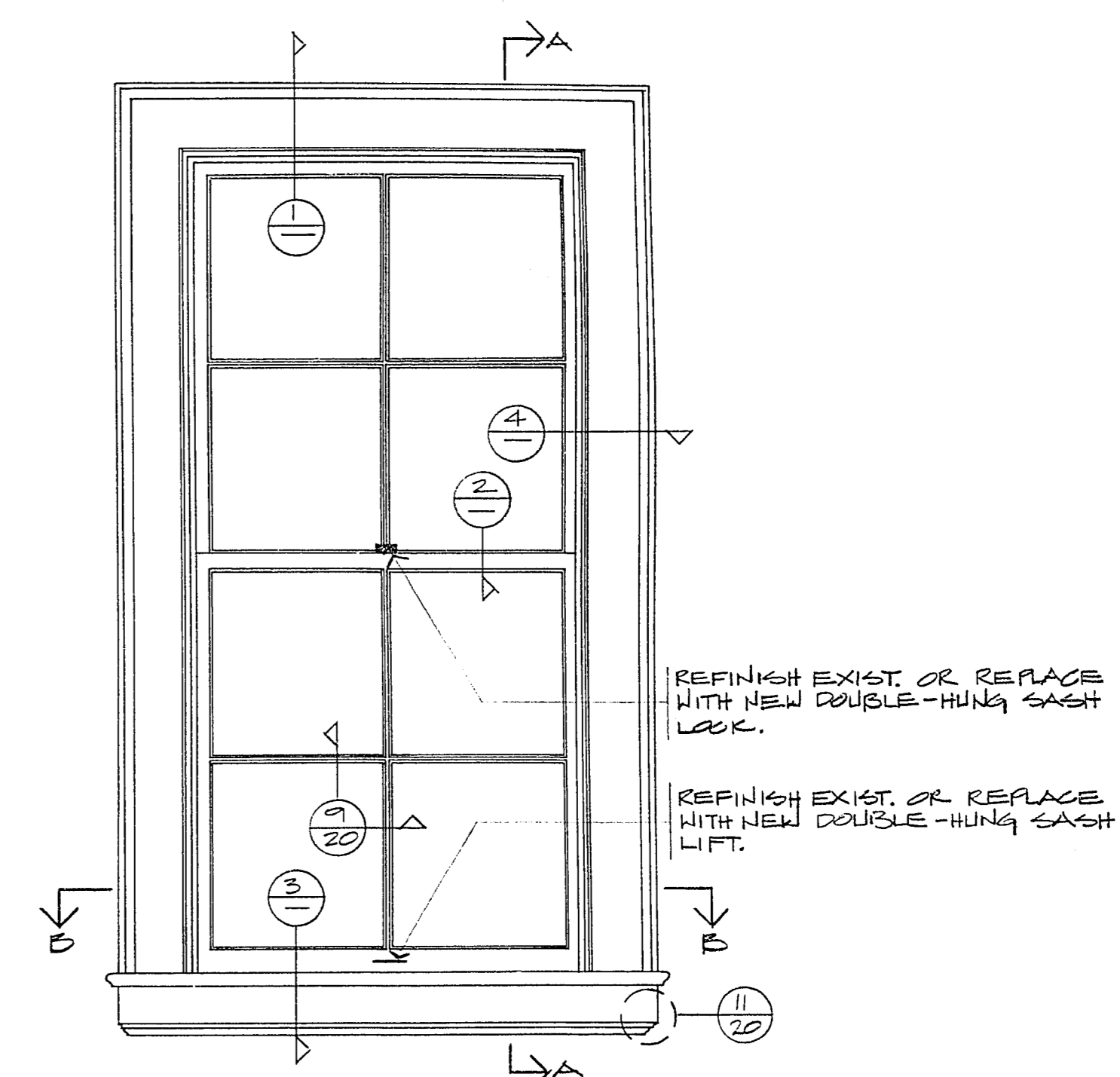
3 SILL DETAIL
 FULL SCALE



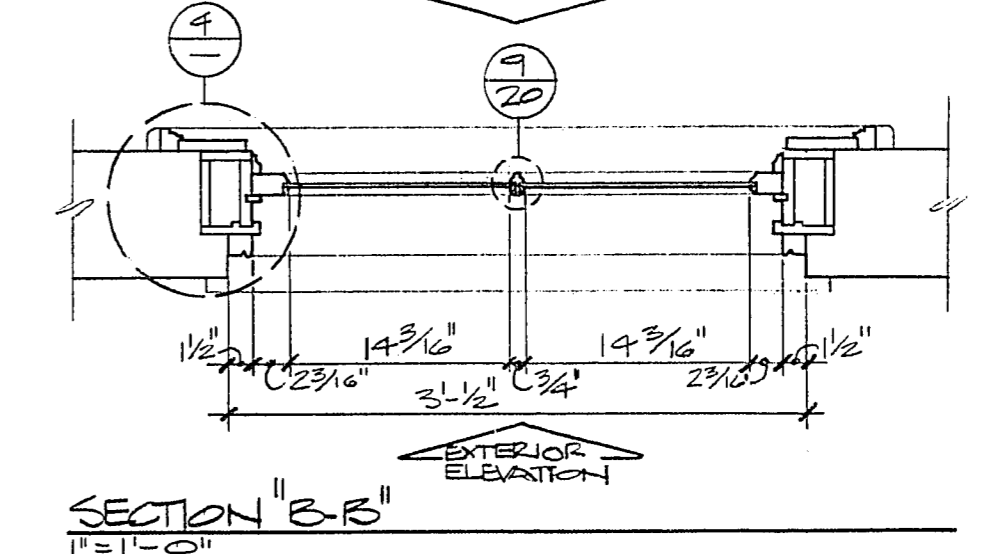
4 WINDOW LAMB DETAIL
 FULL SCALE



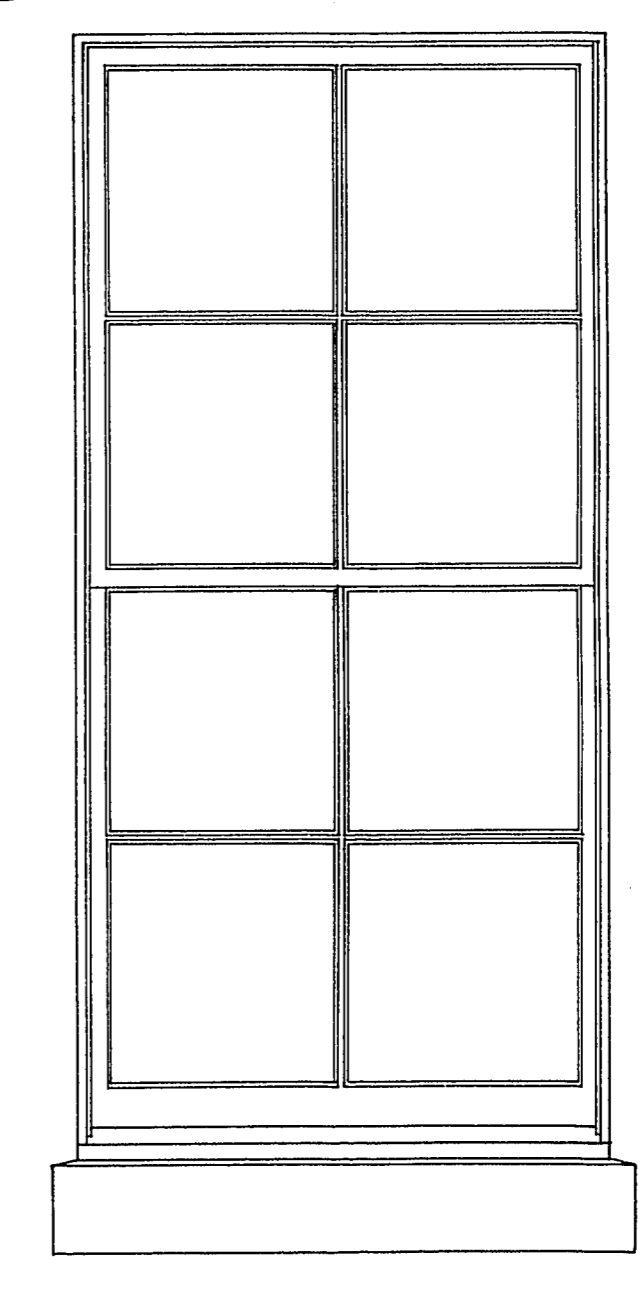
SECTION "A-A"
 1"=1'-0"



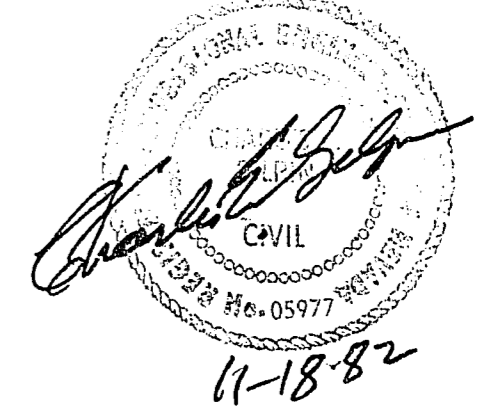
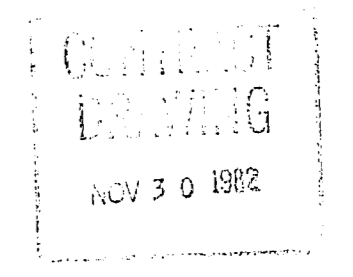
INTERIOR ELEVATION
 1"=1'-0"



SECTION "B-B"
 1"=1'-0"



EXTERIOR ELEVATION
 1"=1'-0"



AS BUILT

NORTH SIDE SCHOOL RENOVATION
 WINDOW TYPE "B" DIMENSIONS & DETAILS

Design By: R. RUEGGIE	Date: 8-82	Revised By:	Date:
Drawn By: J. J. CASMIE	Date: 8-82	Revised By:	Date:
Division: TECHNICAL SERVICES	Scale: AS SHOWN		

Sheet 36
 Drawing No: 82-53
 Date: 8-82
 City of Las Vegas
 of 57