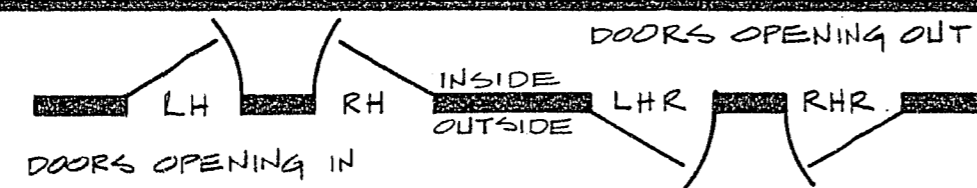
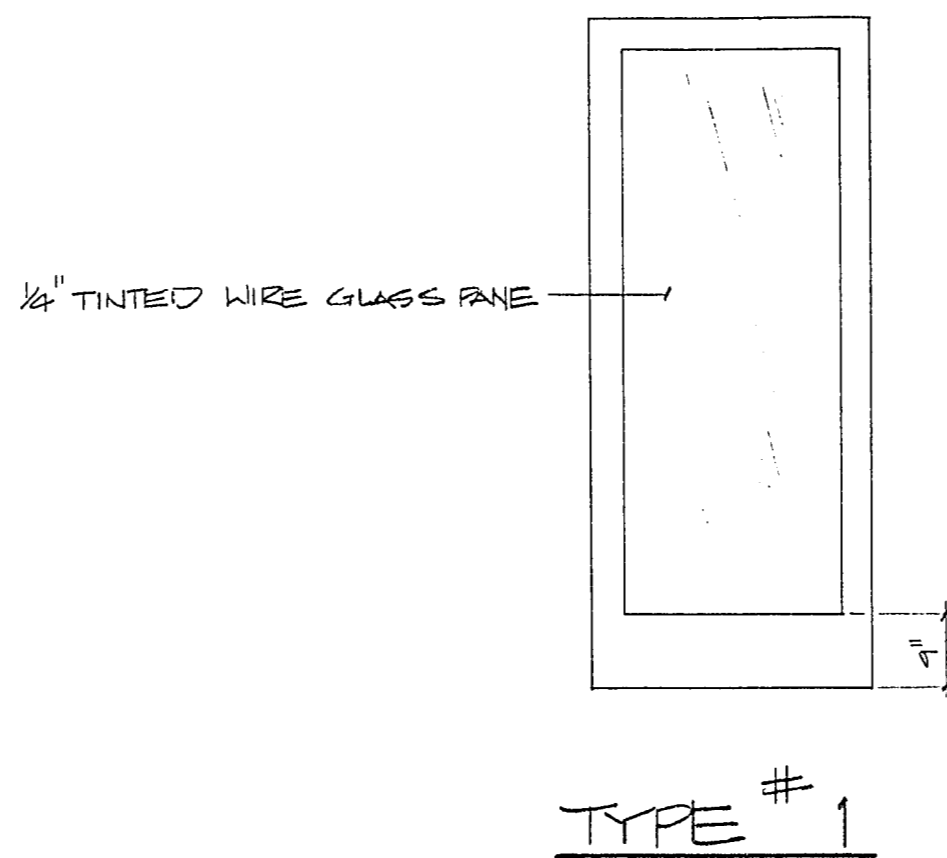


# DOOR SCHEDULE

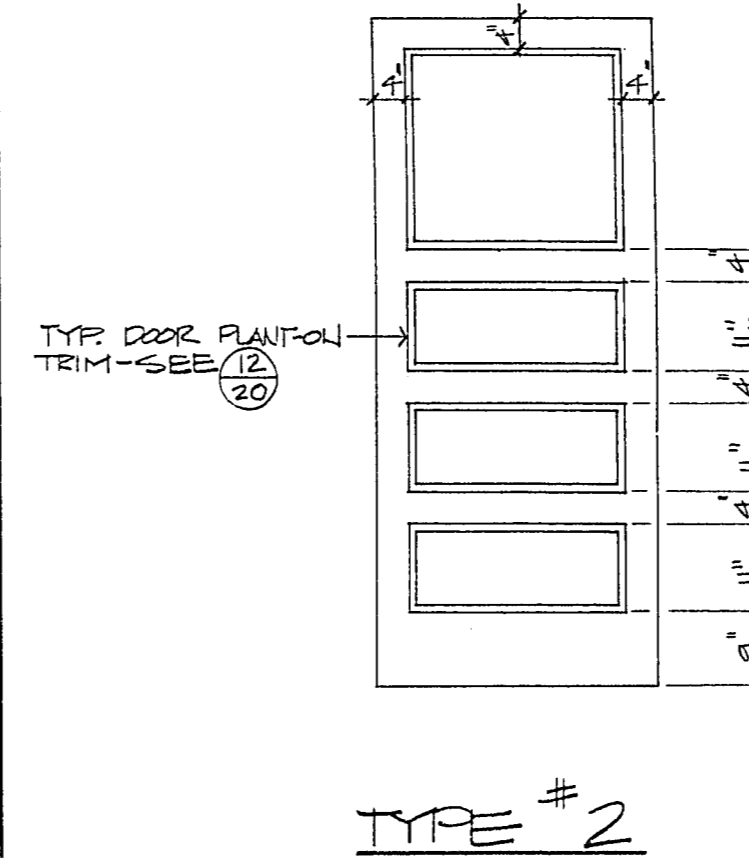


DOOR LETTER	DOOR TYPE	DOOR SIZE WIDTH	DOOR SIZE HEIGHT	DOOR SIZE THICK	DOOR H	DOOR R	MATERIAL DOOR FRAME	HARDWARE SET NO.	REMARKS:
A	SEE SHT 38 & 40							1	
B	SEE SHT 41							2	
C	SEE SHTS 38 & 40							1	
D	1	3'-0"	7'-0"	1 3/4"	RHR	M	M	3	20 MINUTE FIRE RATED SELF CLOSING DOOR WITH APPROVED GASKET SEAL.
E	SEE SHT 21							4	
F	3	3'-0"	7'-0"	1 3/4"	LHR	W	W	5	PLANT-ONS ON ROOM #2 SIDE ONLY.
G	2	3'-0"	7'-0"	1 3/4"	RHR	W	W	6	PLANT-ONS ON ROOM #1 SIDE ONLY.
H	3	3'-0"	7'-0"	1 3/4"	RH	W	W	5	PLANT-ONS ON ROOM #10 SIDE ONLY.
I	3	3'-0"	7'-0"	1 3/4"	LH	W	W	7	PLANT-ONS ON BOTH SIDES OF DOOR.
J	2	3'-0"	7'-0"	1 3/4"	RH	W	M	8	20 MINUTE FIRE RATED SELF CLOSING DOOR WITH APPROVED GASKET SEAL. PLANT-ONS ON BOTH SIDES.
K	4	3'-0"	7'-0"	1 3/4"	RH	W	W	5	PLANT-ONS ON ROOM #10 SIDE ONLY.
L	2	3'-0"	7'-0"	1 3/4"	RHR	W	W	6	PLANT-ONS ON ROOM #8 SIDE ONLY.
M	5	3'-0"	7'-0"	1 3/4"	LH	W	W	9	
N	5	3'-0"	7'-0"	1 3/4"	RH	W	W	9	
O	3	3'-0"	7'-0"	1 3/4"	RH	W	W	5	PLANT-ONS ON BOTH SIDES OF DOOR.
P	3	3'-0"	7'-0"	1 3/4"	LH	W	W	5	PLANT-ONS ON BOTH SIDES OF DOOR.
Q	1	3'-0"	7'-0"	1 3/4"	LHR	M	M	3	20 MINUTE FIRE RATED SELF CLOSING DOOR WITH APPROVED GASKET SEAL.
R	1	3'-0"	7'-0"	1 3/4"	LHR	M	M	3	20 MINUTE FIRE RATED SELF CLOSING DOOR WITH APPROVED GASKET SEAL.
S	2	3'-0"	7'-0"	1 3/4"	LH	W	W	6	PLANT-ONS ON ROOM #17 SIDE ONLY.
T	2	3'-0"	7'-0"	1 3/4"	RH	W	W	6	PLANT-ONS ON ROOM #17 SIDE ONLY.
U	2	2'-6"	7'-0"	1 3/4"	LHR	W	M	3	PLANT-ONS ON ROOM #16 SIDE ONLY.
V	2	3'-0"	7'-0"	1 3/4"	RH	W	M	8	20 MINUTE FIRE RATED SELF CLOSING DOOR WITH APPROVED GASKET SEAL. PLANT-ONS ON BOTH SIDES.
W	3	3'-0"	7'-0"	1 3/4"	LH	W	W	7	PLANT-ONS ON BOTH SIDES OF DOOR.
X	6	3'-0"	7'-0"	1 3/4"	RHR	W	M	10	20 MINUTE FIRE RATED SELF CLOSING DOOR WITH APPROVED GASKET SEAL. PLANT-ONS ON BOTH SIDES.
Y	2	3'-0"	7'-0"	1 3/4"	RHR	W	W	6	PLANT-ONS ON ROOM 23 SIDE ONLY.
Z	2	3'-0"	7'-0"	1 3/4"	LHR	W	W	6	PLANT-ONS ON ROOM 23 SIDE ONLY.

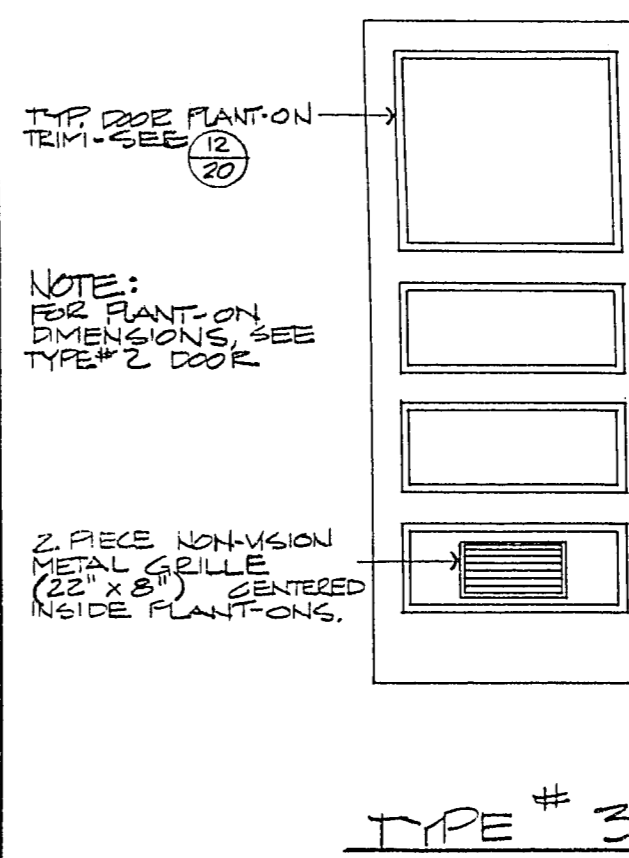
STEEL W/ 1/4" TINTED WIRE GLASS



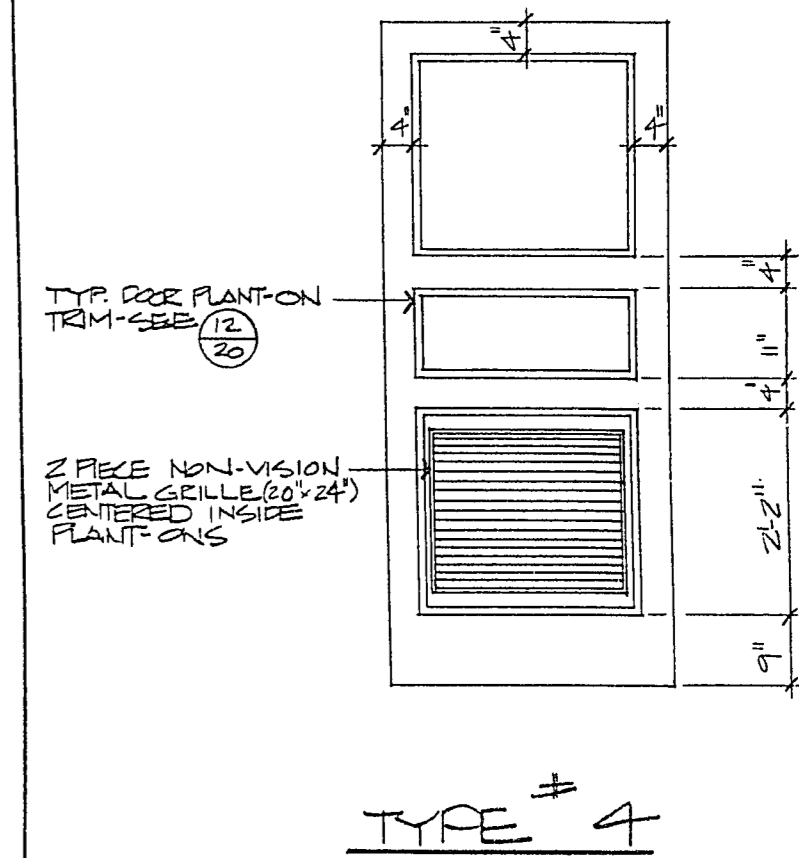
SOLID CORE WOOD W/ PLANT-ONS



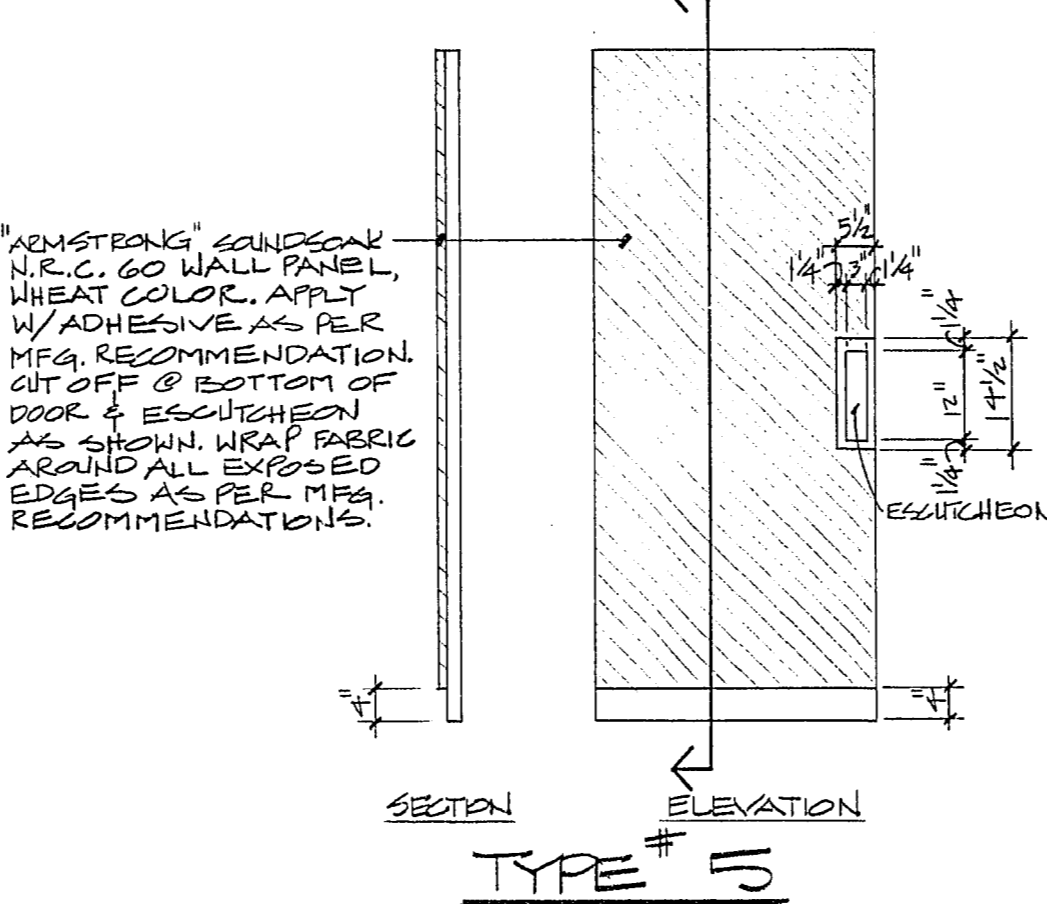
SAME AS TYPE #2 W/ METAL GRILLE



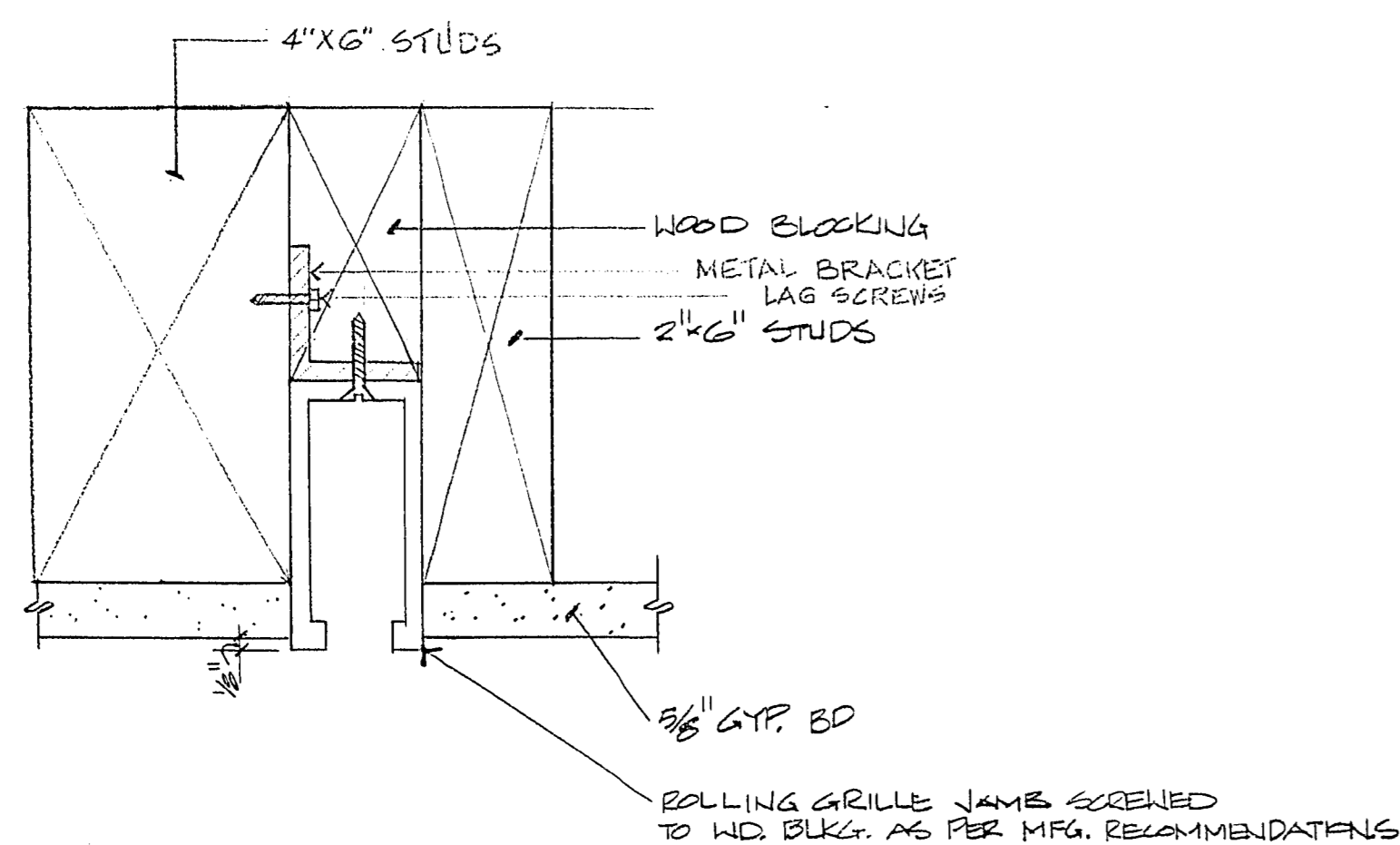
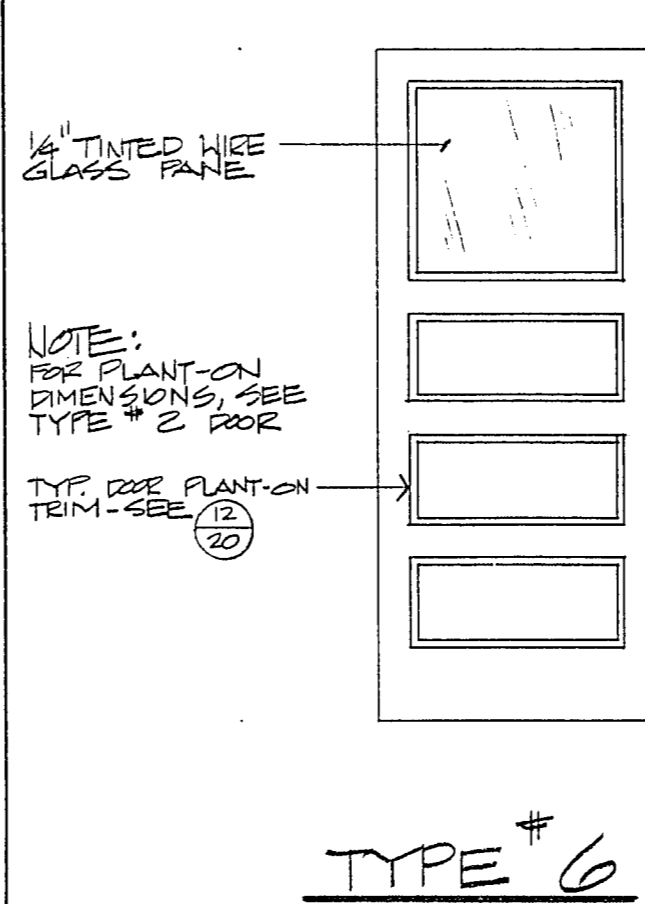
SOLID CORE WOOD W/ OVER-SIZED GRILLE



SOLID CORE WOOD W/ SOUND-SOAK PANEL



SOLID CORE WD. W/ PLANT-ONS & 1/4" TINTED WIRE GL.

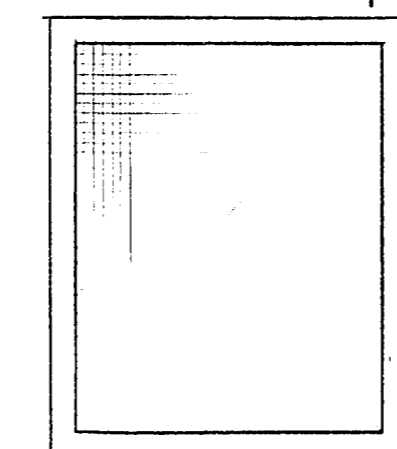


ROLLING GRILLE JAMB DETAIL  
1/8\"/>

# WINDOW SCHEDULE (INTERIOR WINDOWS ONLY) FOR EXTERIOR WINDOWS SEE SHEETS 25 - 37.

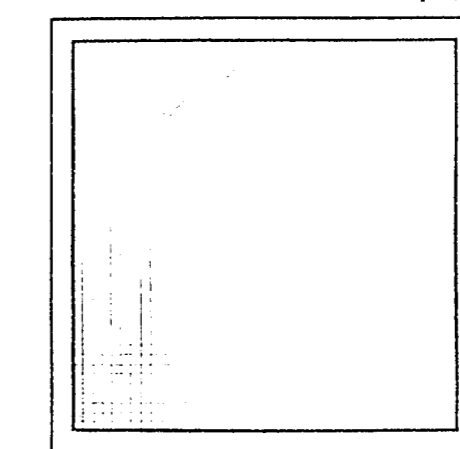
WINDOW NUMBER	TYPE	WINDOW SIZE		MATERIAL	GLAZING	REMARKS
		WIDTH	HEIGHT			
50	1	3'-8"	4'-7"	STEEL	1/4" TINTED WIRE GLASS	NOTE: TINTED GLASS REPLACED W/ FILM
51						
52						
53						
54		3'-8"	4'-7"			
55		3'-0"	6'-11"			
56	1	3'-8"	6'-11"			
57	2	4'-6"	4'-7"			
58	1	3'-4"	4'-7"			
59	1	4'-6"	4'-7"	STEEL	1/4" TINTED WIRE GLASS	

SINGLE PANE, 1/4" TINTED WIRE GLASS

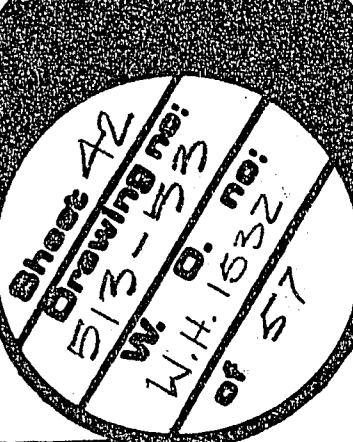
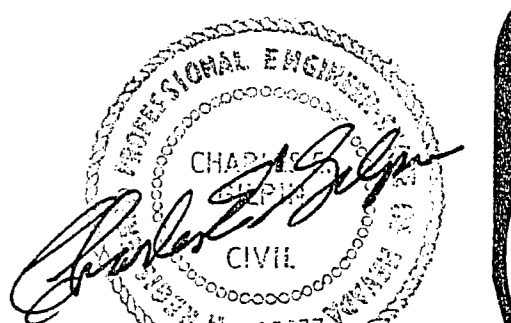
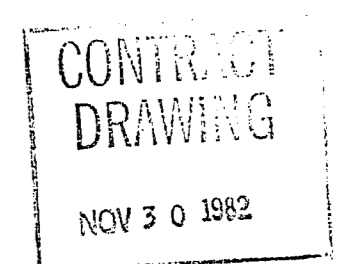


TYPE 1

TRIPLE PANE, 1/4" TINTED WIRE GLASS

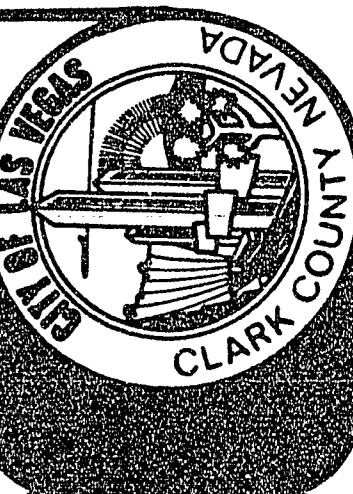


TYPE 2



WEST SIDE SCHOOL RENOVATION  
DOOR & WINDOW SCHEDULES (INTERIOR WINDOWS ONLY)  
Design By: R. BUECKE  
Drawn By: J. JASOMB  
Date: 8-82  
Revised By:  
Date: 8-82  
Scale: NONE  
Division: TECHNICAL SERVICES

City of Las Vegas, Nevada  
Office of Architectural Services and Project Control  
Don J. Saylor A.I.P. Deputy City Manager



AS BUILT

11-18-82