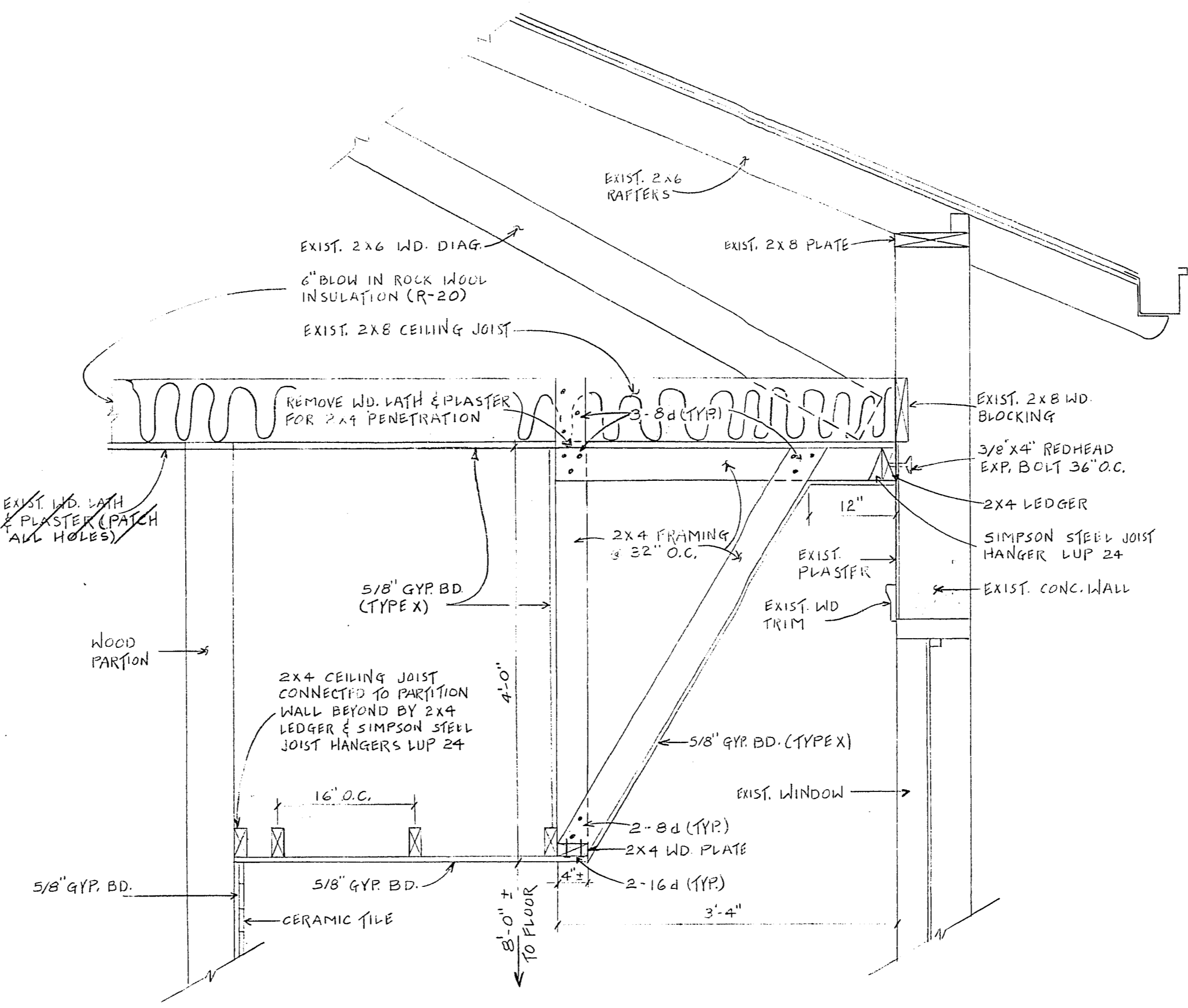
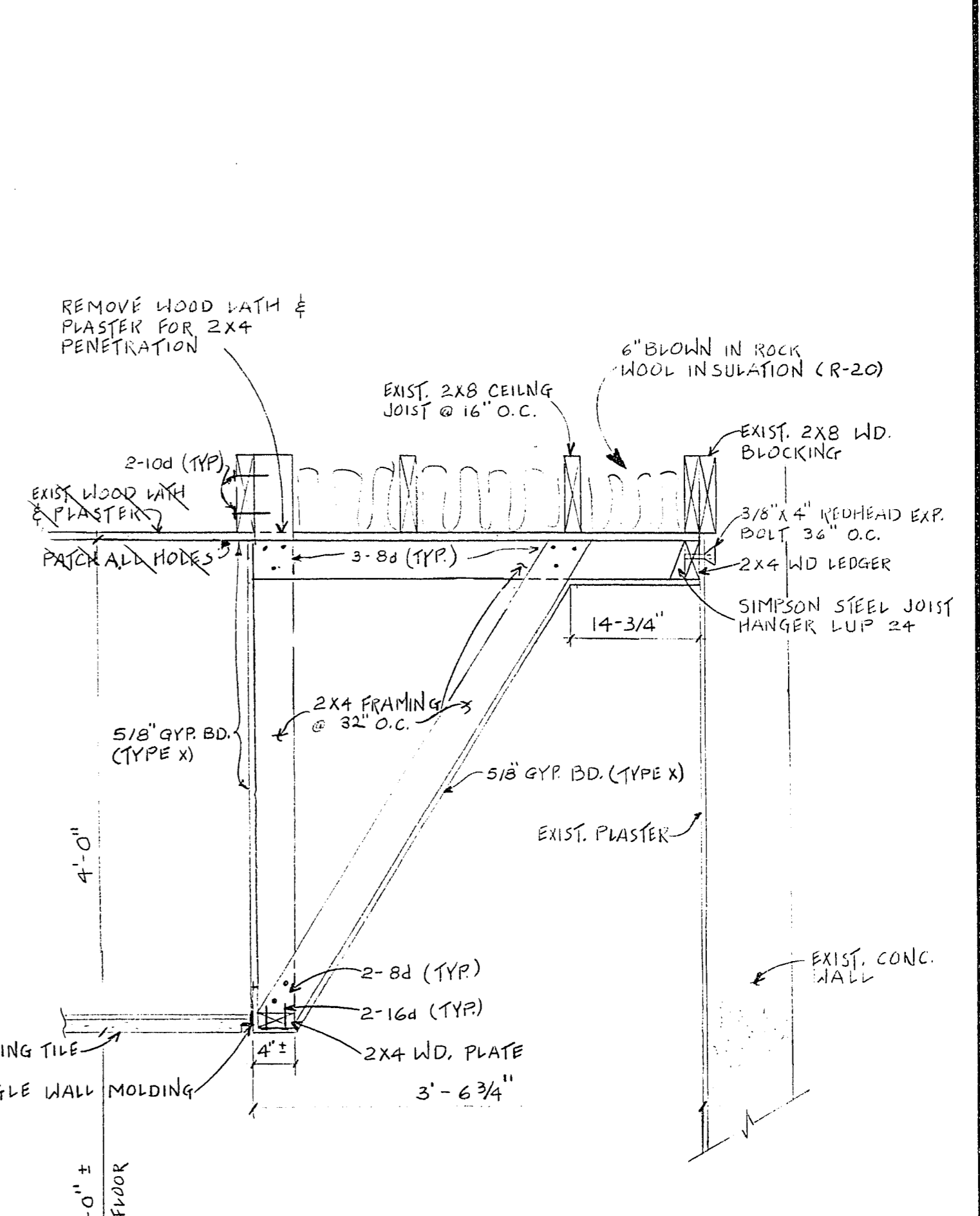


**A** SECTION



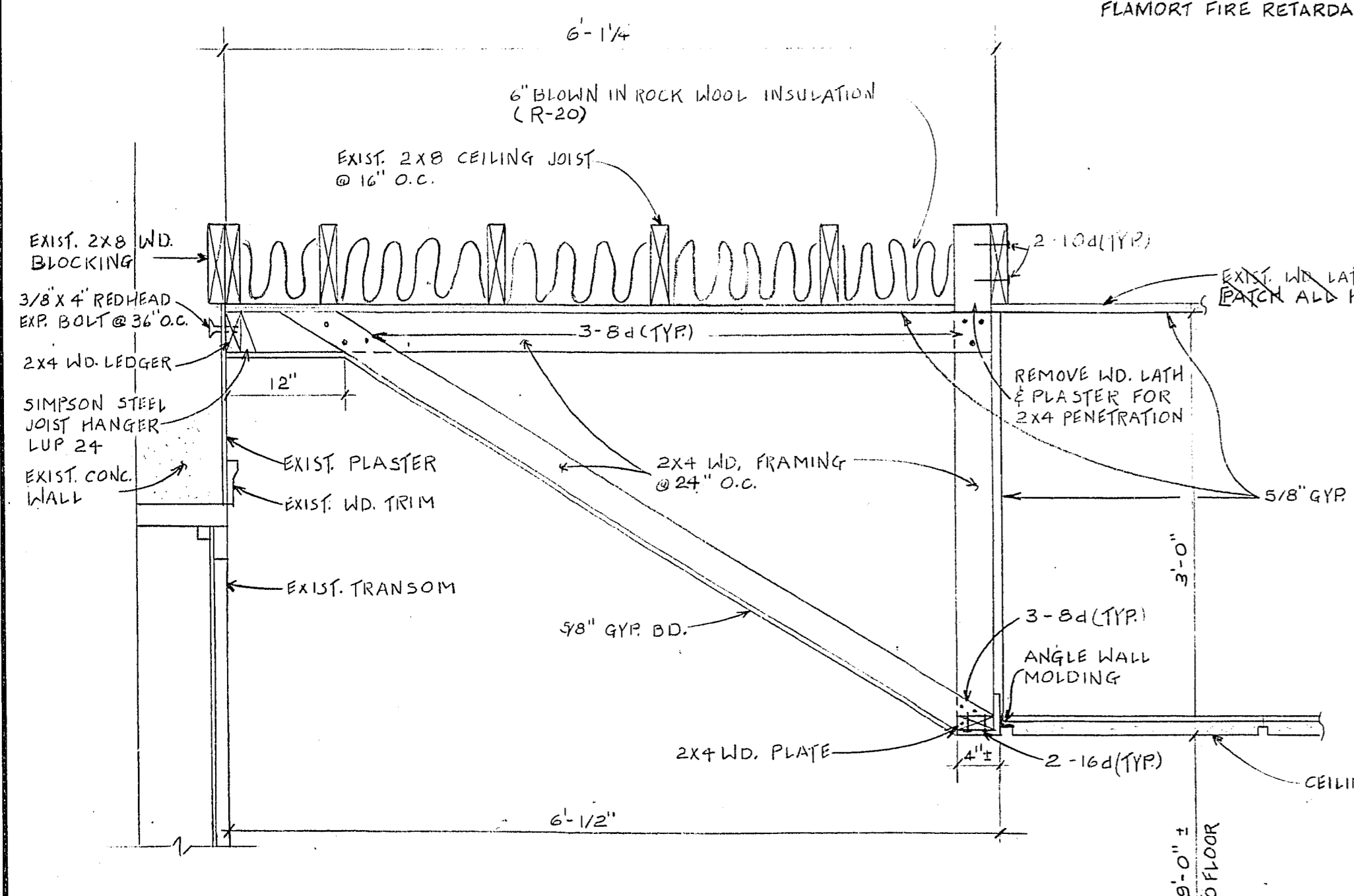
**B** SECTION  
NO SCALE (TYP)



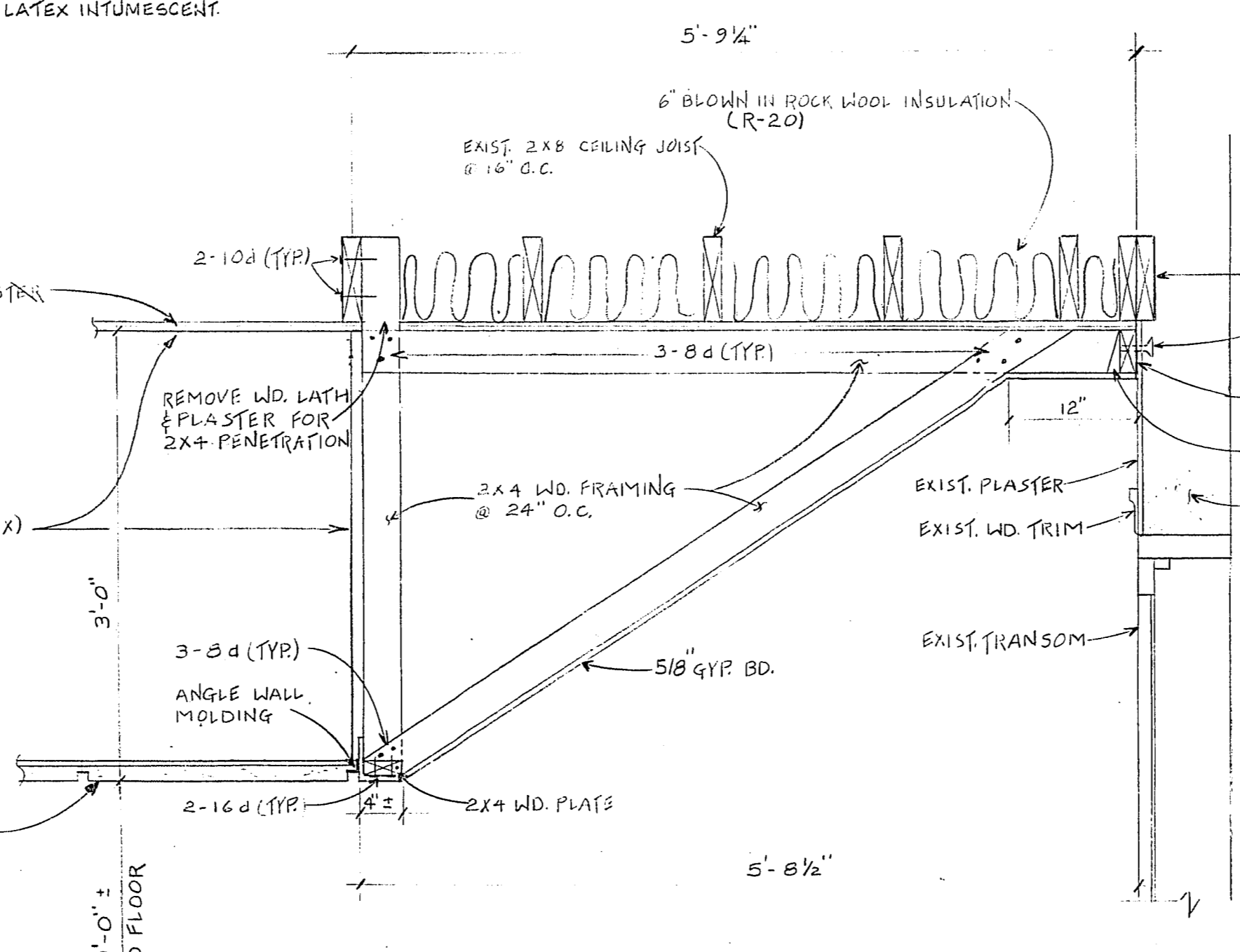
**C** SECTION

**NOTES:**

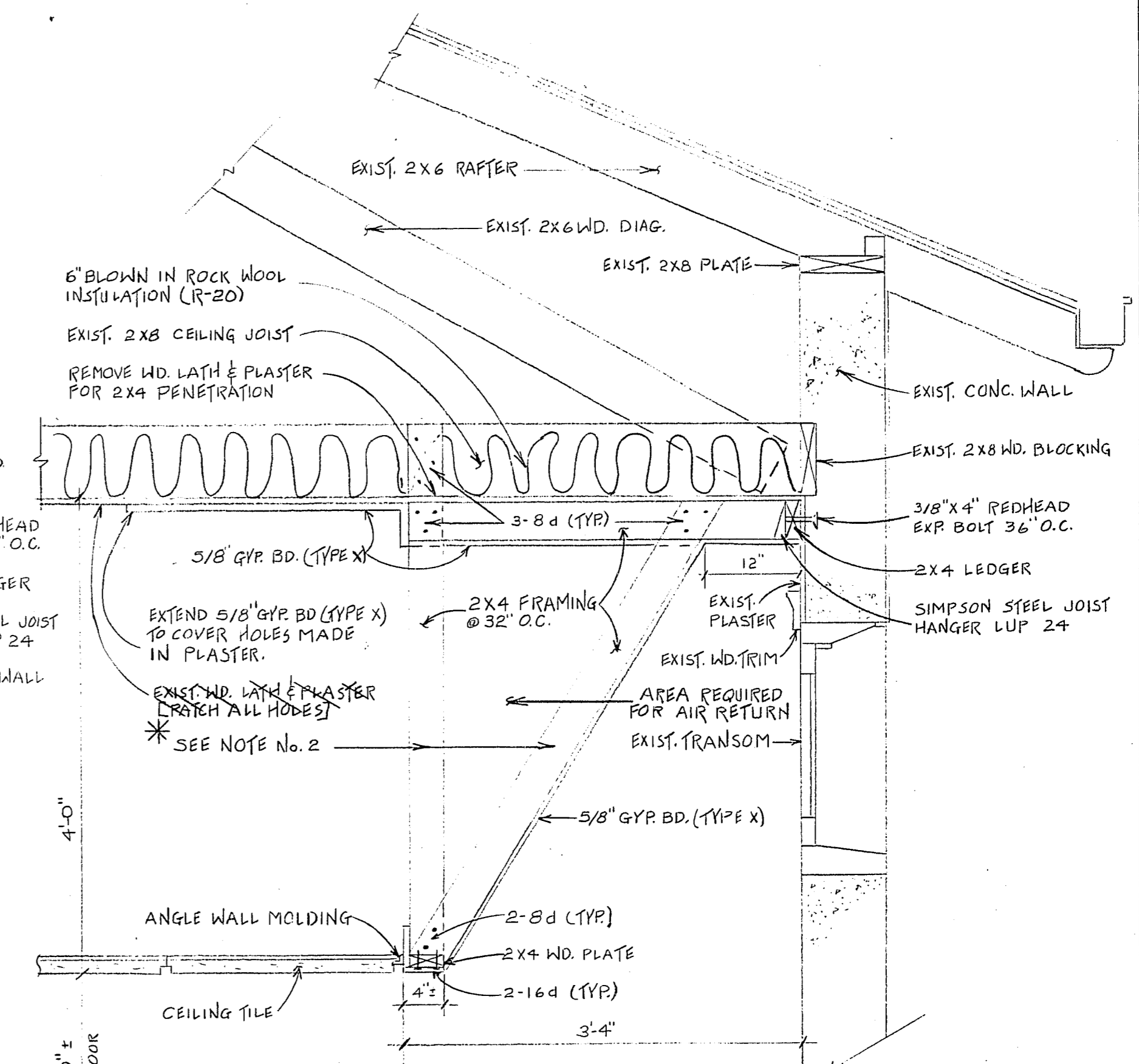
1. THE CONTRACTOR SHALL BE REQUIRED TO RE-PLASTER WHERE CEILING PENETRATION FOR 2X4'S HAS BEEN MADE. IF THE CONTRACTOR CHOOSES TO REMOVE EXISTING WOOD LATH & PLASTER IN ORDER TO NAIL 2X4 FRAMING, HE SHALL BE REQUIRED TO REPLACE WITH 5/8" GYPSUM BD. (TYPE X).
- \* 2. THE CONTRACTOR SHALL COAT ALL EXPOSED WOOD IN THE AIR PLENUM BETWEEN THE NEW CEILING (B) AND THE EXISTING CEILING (12) WITH FIRE RETARDANT, USE AS PER MANUFACTURER'S RECOMMENDATIONS. A-B-I-A-B-B-MANUFACTURING DIV. OF SPAN-CEM INC., EAST BERLIN, CT (OR APPROVED EQUAL). FLAMMORT FIRE RETARDANT PAINT LATEX INTUMESCENT.



**D** SECTION



**E** SECTION



**G** SECTION

AS BUILT

CONTRACT  
NOV 3 0 1982

Revisions	Date

W.L. 2/162	Scale (v)
DATE OCT. 1982	Scale (h)
Design by R. RUEGGE / TMH	Fld. bk. no.
Drawn by J.J.B.	
APPROVED BY CITY ENGINEER	
DATE 11-15-82	

Engineering Design Division  
CEILING CONSTRUCTION  
DETAILS

Department of Public Services  
WEST SIDE SCHOOL  
RENOVATION



Drawing no. 573-53 8/57