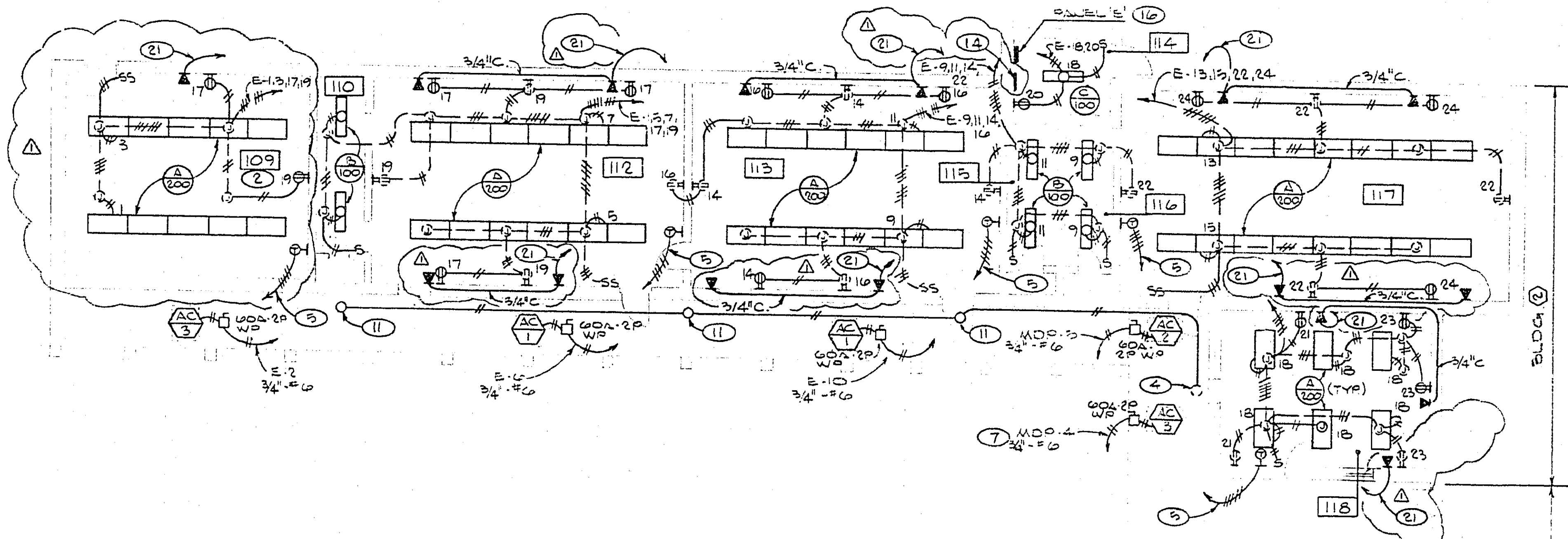
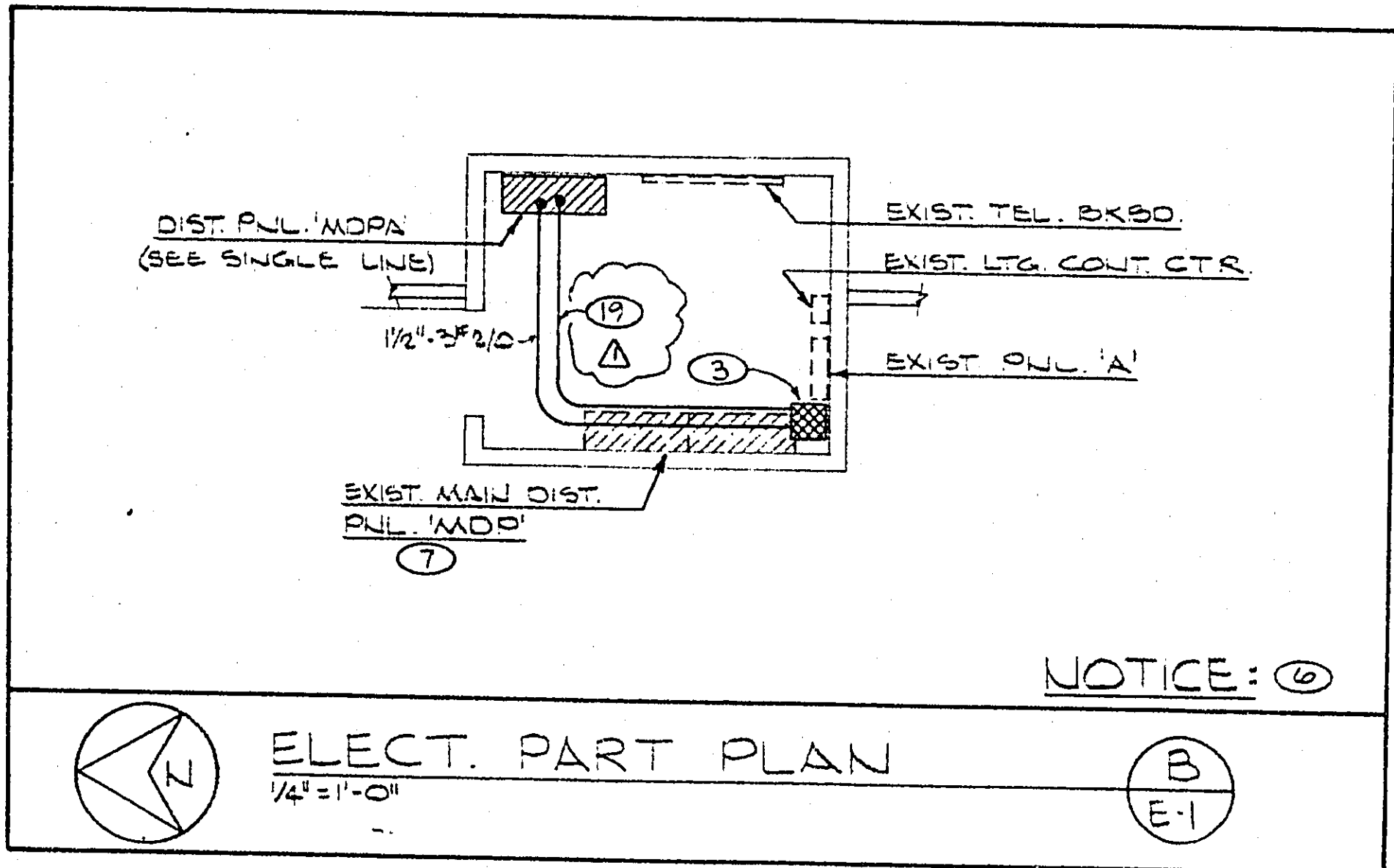
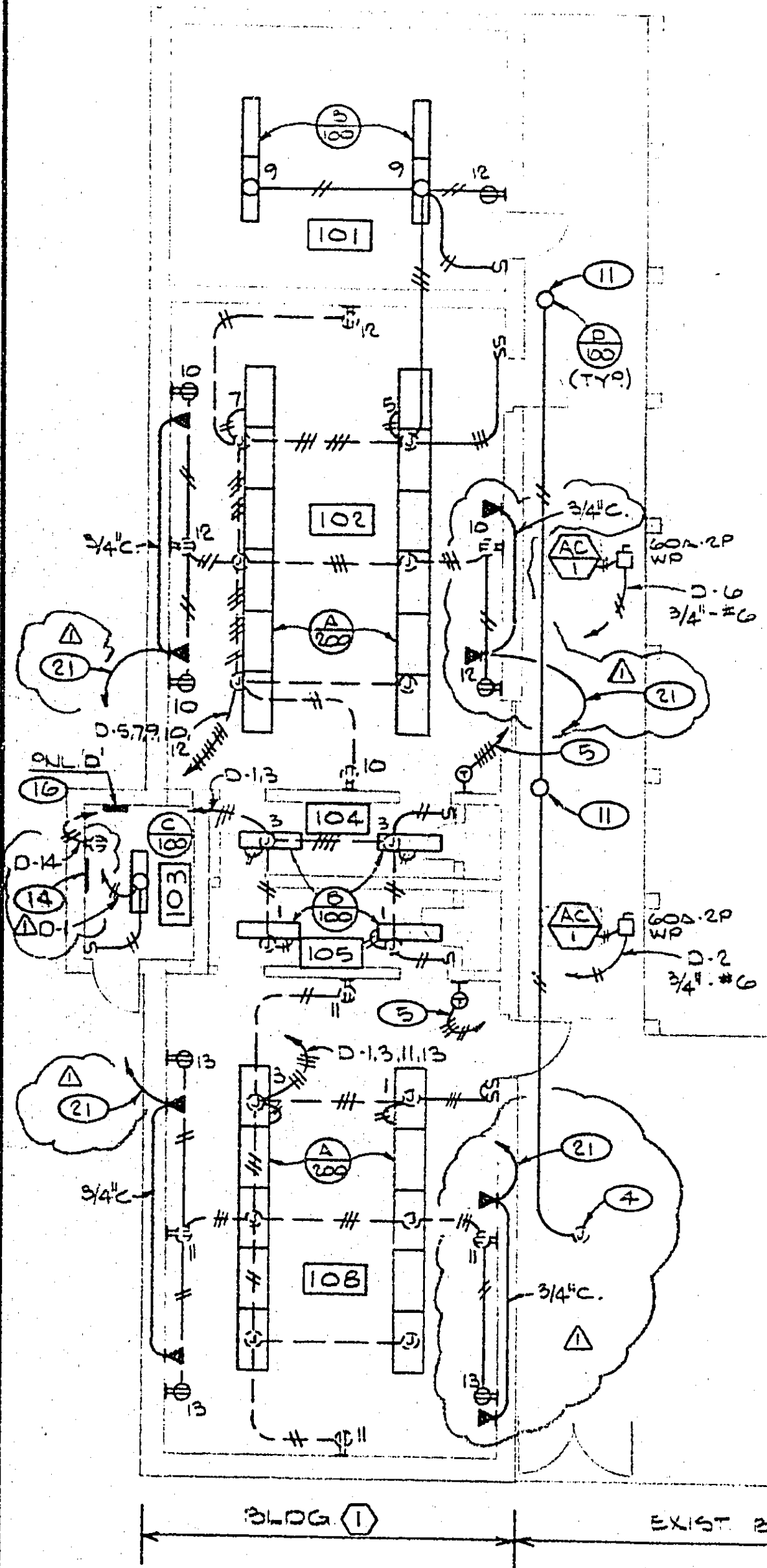


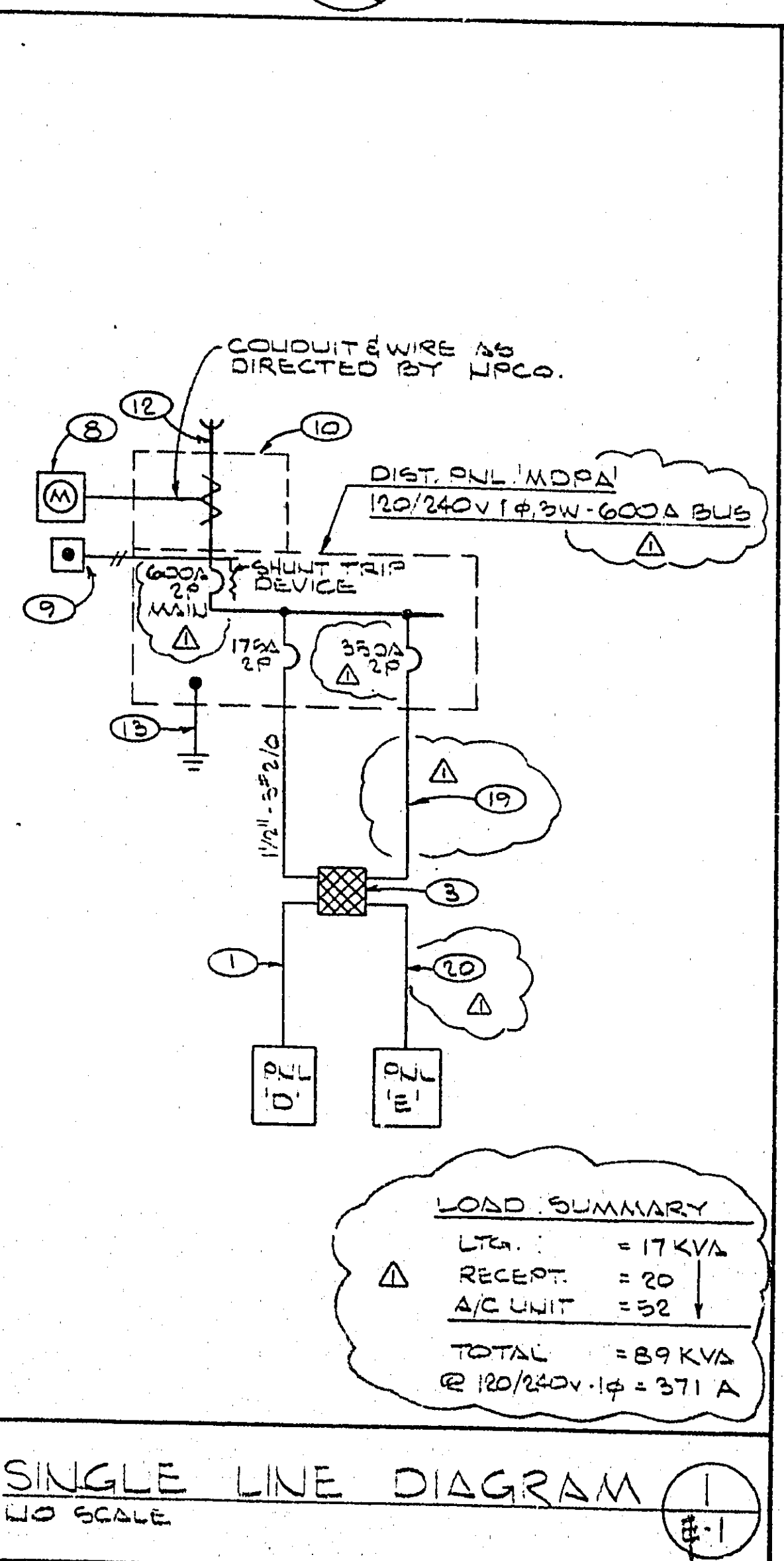
FIXTURE LIST						
TYPE	LAMPS	VOLTS	MOUNTING	DESCRIPTION		
				MANUFACTURER	CATALOG NO	REMARKS
AC-1	2	120	RECESSED	PROCENTAL	E-102-4885-09A	2ND FLOR.
AC-1	2	120	RECESSED	PROCENTAL	E-102-4885-09A	1X4 FLOR.
AC-1	2	120	RECESSED	PROCENTAL	E-102-4885-09A	1X4 FLOR.
AC-1	1	120	RECESSED	MARCO	UP-4-3L	WP DJ. LIGHT



ALL IDEAS, DESIGN ARRANGEMENTS AND PLANS INDICATED OR NOTED HEREON ARE THE PROPERTY OF WALTER F. ZICK & HARRIS P. SHARP ARCHITECTS - ENGINEERS, INC. AND ARE NOT TO BE REPRODUCED OR USED IN ANY MANNER WITHOUT THE WRITTEN PERMISSION OF WALTER F. ZICK & HARRIS P. SHARP ARCHITECTS - ENGINEERS, INC.

FROM THE OFFICE OF:
WALTER F. ZICK & HARRIS P. SHARP
 ARCHITECTS - ENGINEERS, INC.
 LAS VEGAS, NEVADA

PANEL D			
120/240V 1Ø 3 WIRE SERVO MOUNTED 225 AMPERE MAIN LUGS OUT 225 AMPERE BUS			
NO	VOLTS	AMPERES	DESCRIPTION
1	120	200	OFFICES
2	120	200	OFFICES
3	120	200	OFFICES
4	120	200	OFFICES
5	120	200	OFFICES
6	120	200	OFFICES
7	120	200	OFFICES
8	120	200	OFFICES
9	120	200	OFFICES
10	120	200	OFFICES
11	120	200	OFFICES
12	120	200	OFFICES
13	120	200	OFFICES
14	120	200	OFFICES
15	120	200	OFFICES
16	120	200	OFFICES
17	120	200	OFFICES
18	120	200	OFFICES
19	120	200	OFFICES
20	120	200	OFFICES
21	120	200	OFFICES
22	120	200	OFFICES
23	120	200	OFFICES
24	120	200	OFFICES
25	120	200	OFFICES
26	120	200	OFFICES
27	120	200	OFFICES
28	120	200	OFFICES
29	120	200	OFFICES
30	120	200	OFFICES
31	120	200	OFFICES
32	120	200	OFFICES
33	120	200	OFFICES
34	120	200	OFFICES
35	120	200	OFFICES
36	120	200	OFFICES
37	120	200	OFFICES
38	120	200	OFFICES
39	120	200	OFFICES
40	120	200	OFFICES
41	120	200	OFFICES
42	120	200	OFFICES
43	120	200	OFFICES
44	120	200	OFFICES
45	120	200	OFFICES
46	120	200	OFFICES
47	120	200	OFFICES
48	120	200	OFFICES
49	120	200	OFFICES
50	120	200	OFFICES
51	120	200	OFFICES
52	120	200	OFFICES
53	120	200	OFFICES
54	120	200	OFFICES
55	120	200	OFFICES
56	120	200	OFFICES
57	120	200	OFFICES
58	120	200	OFFICES
59	120	200	OFFICES
60	120	200	OFFICES
61	120	200	OFFICES
62	120	200	OFFICES
63	120	200	OFFICES
64	120	200	OFFICES
65	120	200	OFFICES
66	120	200	OFFICES
67	120	200	OFFICES
68	120	200	OFFICES
69	120	200	OFFICES
70	120	200	OFFICES
71	120	200	OFFICES
72	120	200	OFFICES
73	120	200	OFFICES
74	120	200	OFFICES
75	120	200	OFFICES
76	120	200	OFFICES
77	120	200	OFFICES
78	120	200	OFFICES
79	120	200	OFFICES
80	120	200	OFFICES
81	120	200	OFFICES
82	120	200	OFFICES
83	120	200	OFFICES
84	120	200	OFFICES
85	120	200	OFFICES
86	120	200	OFFICES
87	120	200	OFFICES
88	120	200	OFFICES
89	120	200	OFFICES
90	120	200	OFFICES
91	120	200	OFFICES
92	120	200	OFFICES
93	120	200	OFFICES
94	120	200	OFFICES
95	120	200	OFFICES
96	120	200	OFFICES
97	120	200	OFFICES
98	120	200	OFFICES
99	120	200	OFFICES
100	120	200	OFFICES



- ### NOTES
- 2"Ø IN EXIST 1/2" CONDUIT
 - FOR KITCHEN PART PLAN SEE (A) (E-1)
 - 2"Ø IN EXIST PULLBOX AT CEILING
 - CONDUIT TO EXIST CIRCUIT CONTROLLED BY LIGHTING CONTROL CENTER
 - TO AC UNIT SEE SHEET M-1 FOR EXACT LOCATION
 - VERIFY EXACT LOCATION OF EXIST EQUIP PRIOR TO BID
 - REPLACE EXIST 10-20 CIRCUIT BREAKER W/NEW 40A-20 CIRCUIT BREAKER
 - REMOVE METER ENCLOSURE LOCATE ADJACENT TO EXIST
 - REMOVE SHUNT TRIP PUSH BUTTON STATION LOCATE ADJACENT TO EXIST
 - METER & CT PREVIOUSLY PER NRCO STOPS
 - MOUNT AS DIRECTED BY ARCH. IN FIELD
 - 2"Ø EA W/ØØØØØMM THN(CU) TO WEATHERHEAD ABOVE ROOF. TERMINATE AS DIRECTED BY NRCO.
 - PROVIDE 2"Ø 1Ø GROUND WIRE TO CODE APPROVED GROUND
 - 48"Ø 1/2" TEL BXBD. PROVIDE 2"Ø TO EXIST TEL BXBD. FOR LOCATION SEE (A) (E-1)
 - INSTALL CONNECT THAT PURCHASED BY OTHERS
 - REMOVE EXIST SINGLE POLE SWITCHES. EXTEND CONDUIT TO NEW PULL AS REQ'D.
 - CONTRACTOR SHALL VERIFY CEILING TYPE & MOUNTING OF ALL FIXTURES W/ARCH. DWGS & SPECIFICATIONS PRIOR TO RECEIVING ORDER FOR FIXTURES
 - CAT. NUMBERS INDICATE BASIC FIXTURE REQUIRED FOR THIS PROJECT. VERIFY W/ MANUFACTURER TO INCLUDE ALL ACCESSORIES & MODIFICATIONS REQ'D. AND/OR INDICATED FOR THIS PROJECT.
 - ØØØØØMM THN(CU) @ 1/4" Ø THN(CU) NEUTRAL IN EXIST 2" CONDUIT
 - 1/2" Ø TO NEAREST TELEPHONE BXBD.

- ### GENERAL NOTES
- REPLACE ALL EXIST 3-WAY SWITCHES W/TWO (2) SINGLE POLE SWITCHES IN NEW FURRED WALL IN ALL EXIST BOXES.
 - PROVIDE 2"Ø EXTENSION BOXES THROUGH NEW FURRED WALL & NEW PLATE FOR ALL EXIST RECEPT.
 - ALL EXIST WIRE SHALL BE REMOVED & NEW WIRE SHALL BE PROVIDED IN EXIST CONDUIT. SIZES AS SHOWN.
 - VERIFY LOCATION OF EXIST RECEPTS, J-BOXES, ETC. PRIOR TO BID.
 - ALL CONDUITS, J-BOXES, RECEPTS ETC. SHOWN DASHED ARE EXIST TO REMAIN. PROVIDE BLANK COVER PLATE ON ALL EXIST J-BOXES.
 - ALL WIRES IN EXIST CONDUIT ARE SHOWN. WHERE NO WIRES ARE SHOWN EMPTY CONDUIT SHALL REMAIN.
 - PROVIDE 1/2" FLEX W/ØØØØØMM THN(CU) FROM EXIST J-BOXES TO NEW LIGHTING FIXTURES AS SHOWN ON DRAWING.
 - REMOVE ALL EXIST LIGHTING FIXTURES IN OFFICES & HEATER ROOMS

LEGEND

NO. DATE

REVISIONS

1. 12/15/77

2. 12/15/77

3. 12/15/77

4. 12/15/77

5. 12/15/77

6. 12/15/77

7. 12/15/77

8. 12/15/77

9. 12/15/77

10. 12/15/77

11. 12/15/77

12. 12/15/77

13. 12/15/77

14. 12/15/77

15. 12/15/77

16. 12/15/77

17. 12/15/77

18. 12/15/77

19. 12/15/77

20. 12/15/77

21. 12/15/77

22. 12/15/77

23. 12/15/77

24. 12/15/77

25. 12/15/77

26. 12/15/77

27. 12/15/77

28. 12/15/77

29. 12/15/77

30. 12/15/77

31. 12/15/77

32. 12/15/77

33. 12/15/77

34. 12/15/77

35. 12/15/77

36. 12/15/77

37. 12/15/77

38. 12/15/77

39. 12/15/77

40. 12/15/77

41. 12/15/77

42. 12/15/77

43. 12/15/77

44. 12/15/77

45. 12/15/77

46. 12/15/77

47. 12/15/77

48. 12/15/77

49. 12/15/77

50. 12/15/77

51. 12/15/77

52. 12/15/77

53. 12/15/77

54. 12/15/77

55. 12/15/77

56. 12/15/77

57. 12/15/77

58. 12/15/77

59. 12/15/77

60. 12/15/77

61. 12/15/77

62. 12/15/77

63. 12/15/77

64. 12/15/77

65. 12/15/77

66. 12/15/77

67. 12/15/77

68. 12/15/77

69. 12/15/77

70. 12/15/77

71. 12/15/77

72. 12/15/77

73. 12/15/77

74. 12/15/77

75. 12/15/77

76. 12/15/77

77. 12/15/77

78. 12/15/77

79. 12/15/77

80. 12/15/77

81. 12/15/77

82. 12/15/77

83. 12/15/77

84. 12/15/77

85. 12/15/77

86. 12/15/77

87. 12/15/77

88. 12/15/77

89. 12/15/77

90. 12/15/77

91. 12/15/77

92. 12/15/77

93. 12/15/77

94. 12/15/77

95. 12/15/77

96. 12/15/77

97. 12/15/77

98. 12/15/77

99. 12/15/77

100. 12/15/77

SHEET TITLE: ELECTRICAL FLOOR PLAN, PHASE 2, WEST SIDE GRADE SCHOOL RENOVATION

JOB NUMBER: 377-1

DATE: 12-15-77

DRAWN BY: GRS

CHECKED BY: GRS

SHEET NUMBER: 11

OF: 11

VERIFIED ALL DIMENSIONS AND CONDITIONS AT THE SITE

WALTER F. ZICK & HARRIS P. SHARP ARCHITECTS - ENGINEERS, INC. LAS VEGAS, NEVADA