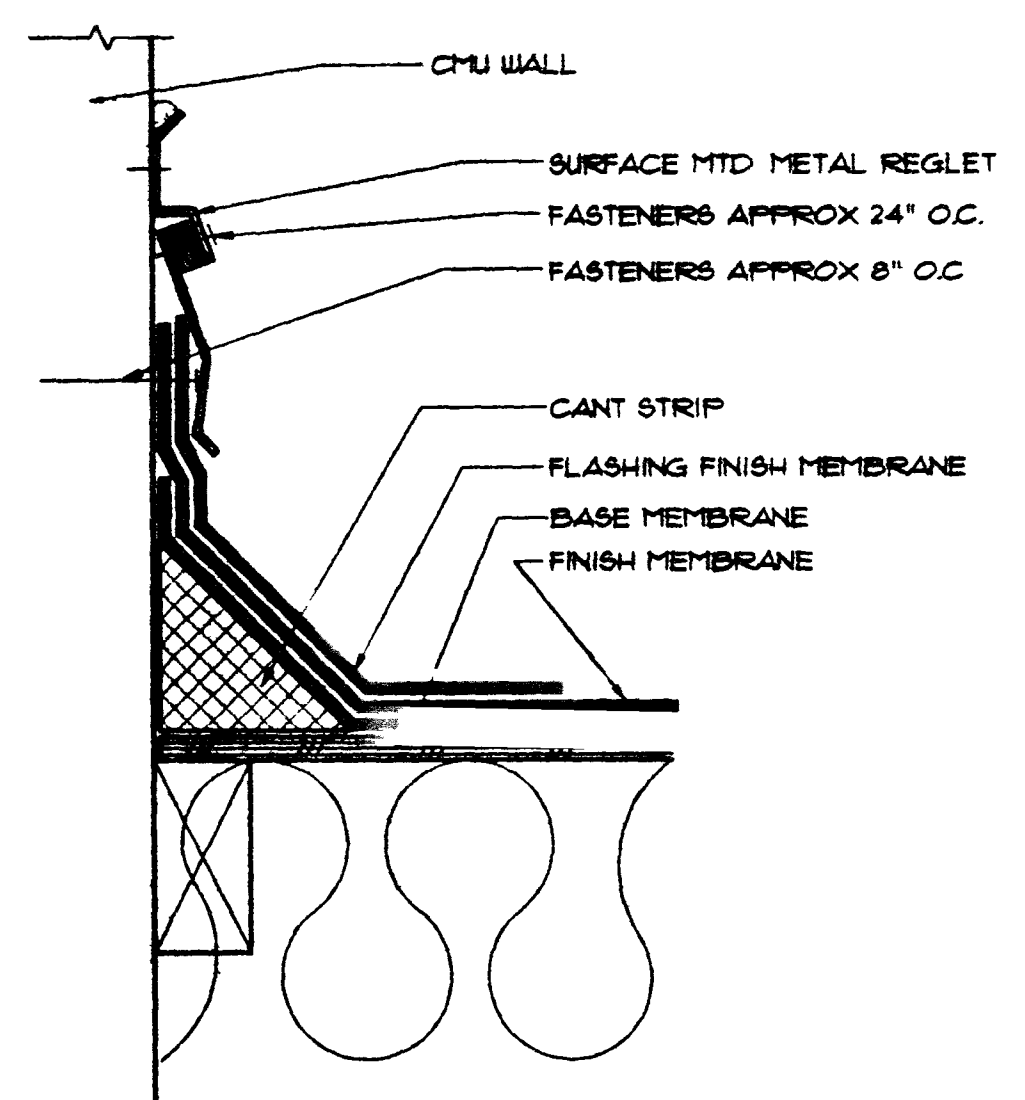
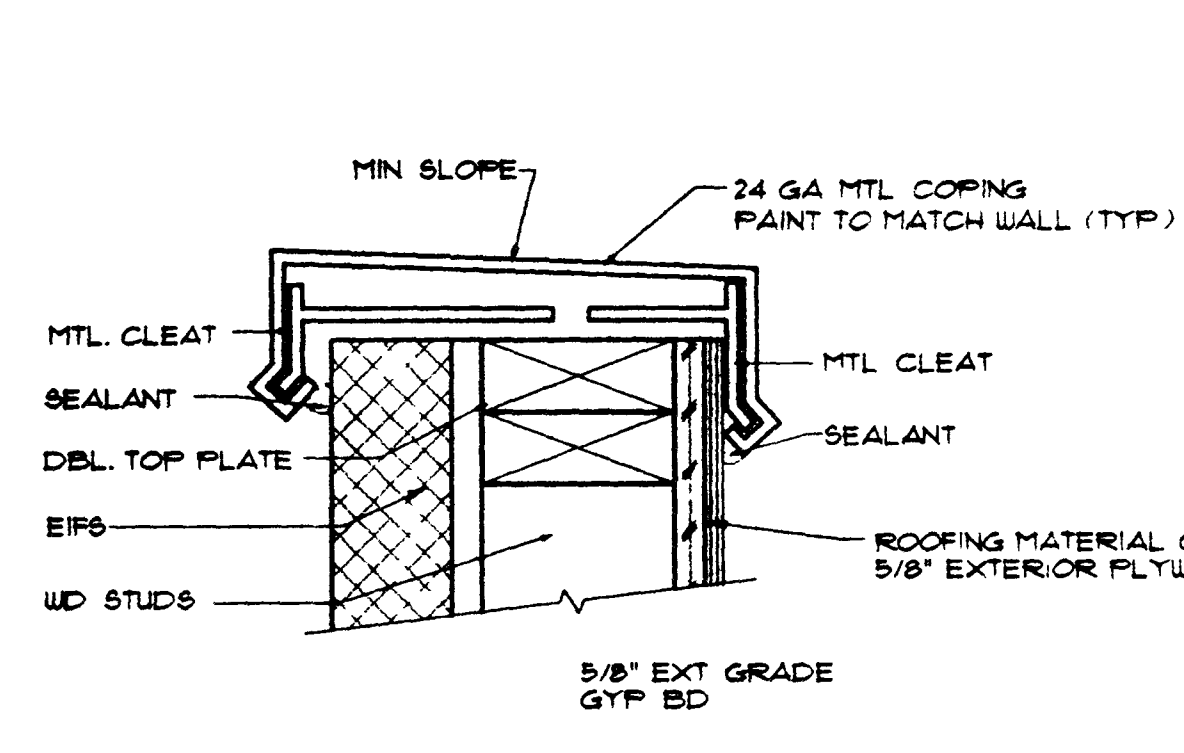


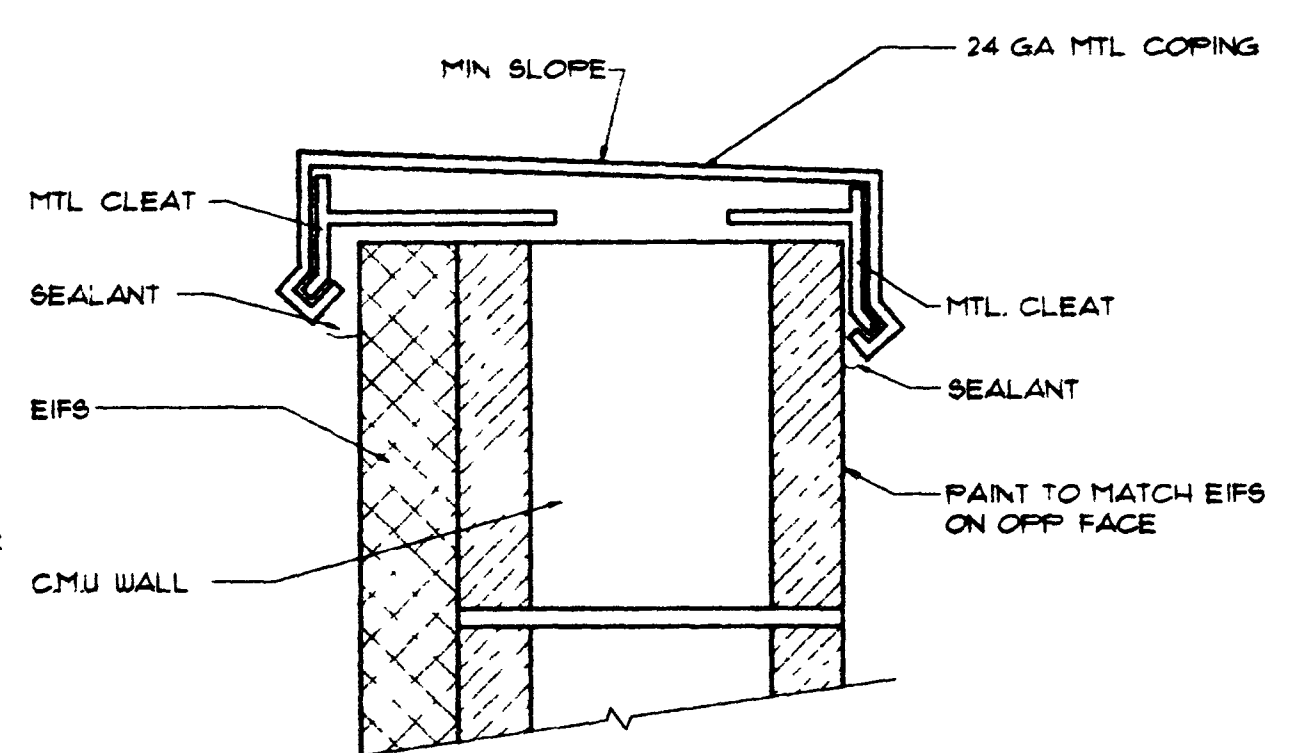
Revisions



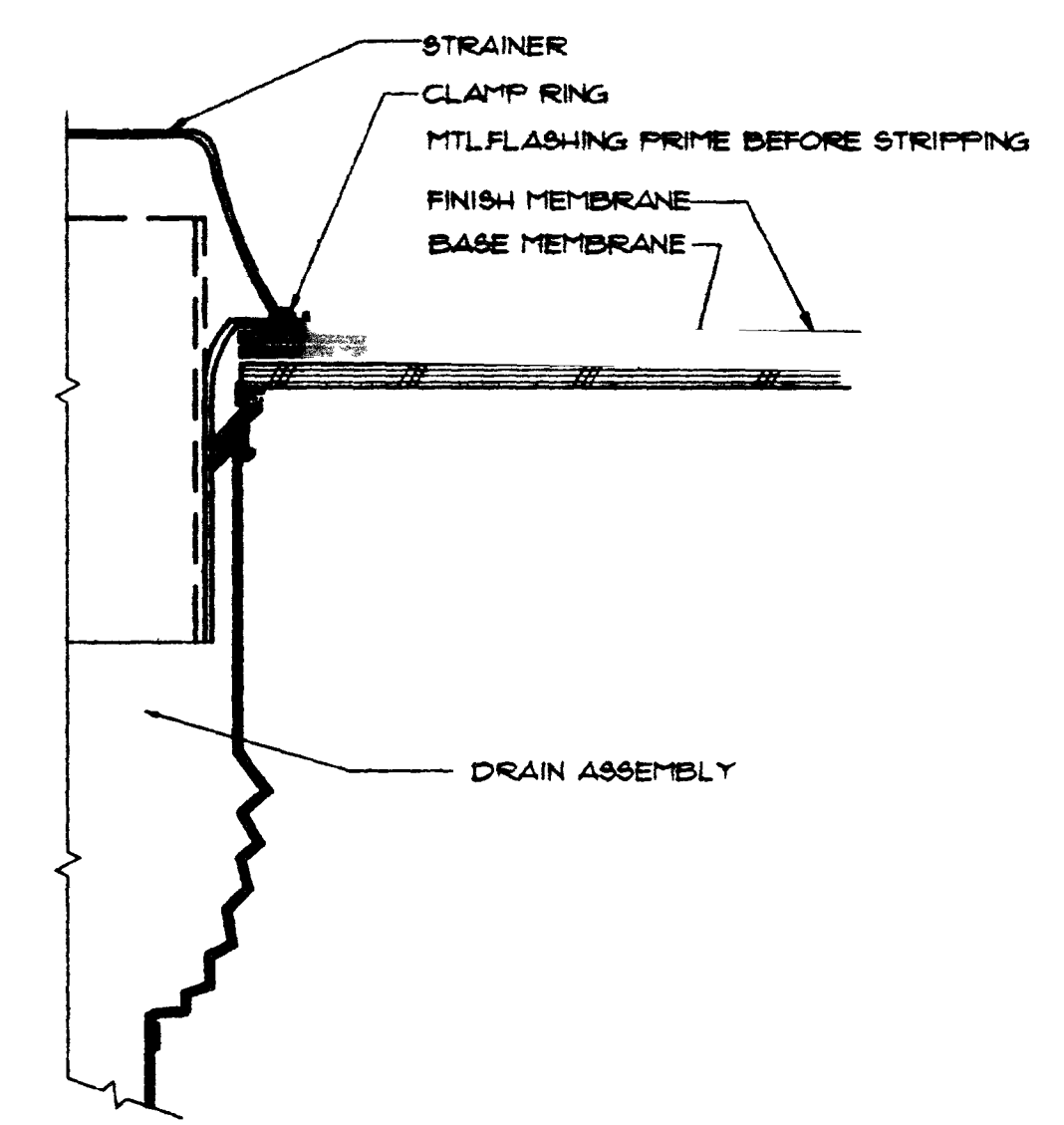
1 PARAPET FLASHING
SCALE: 3" = 1'-0"



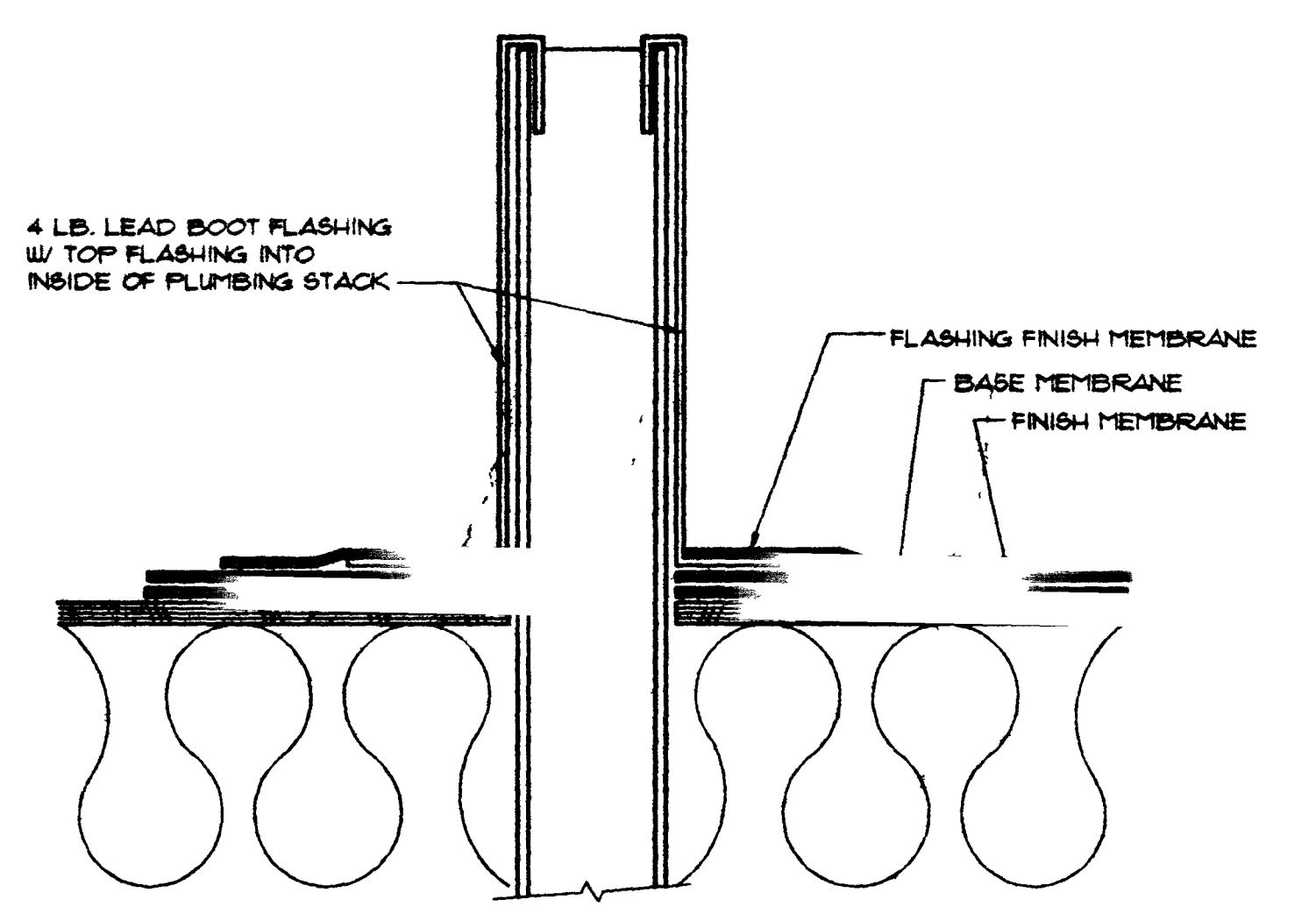
2 COPING @ STUD WALL
SCALE: 3" = 1'-0"



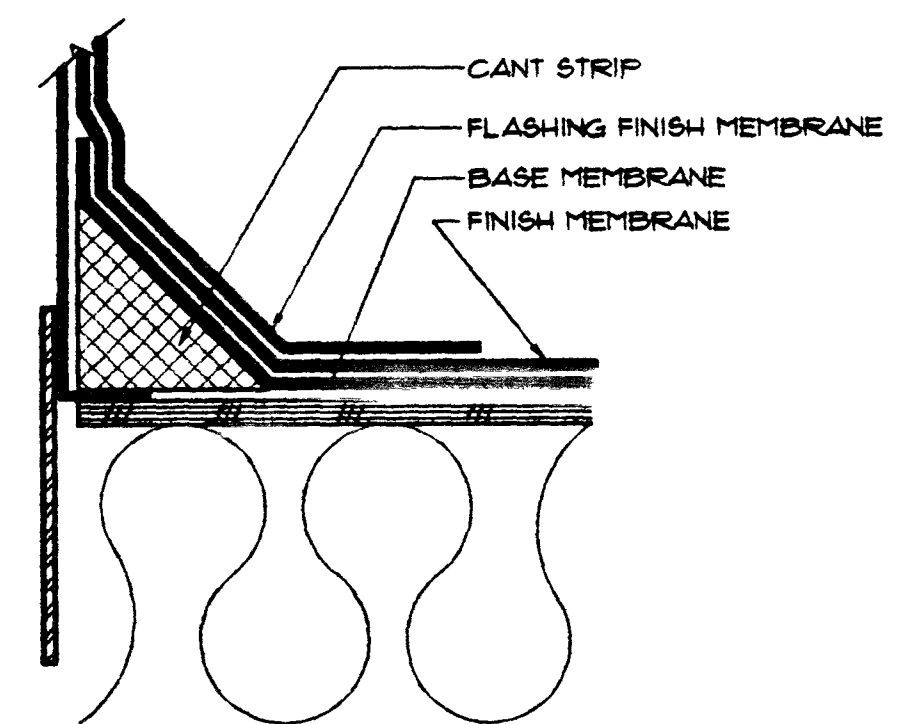
3 COPING @ CMU WALL
SCALE: 3" = 1'-0"



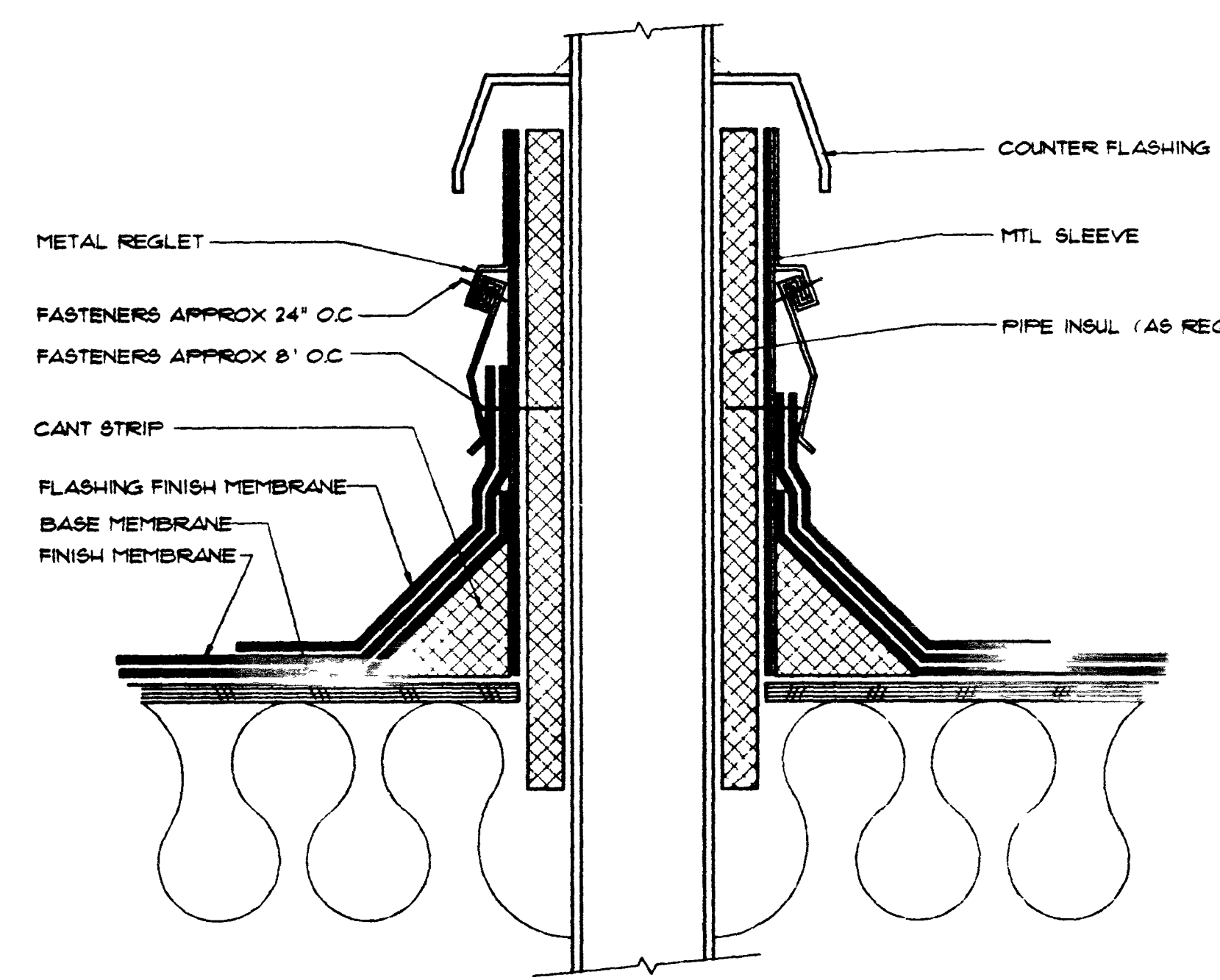
4 DRAIN FLASHING
SCALE: 3" = 1'-0"



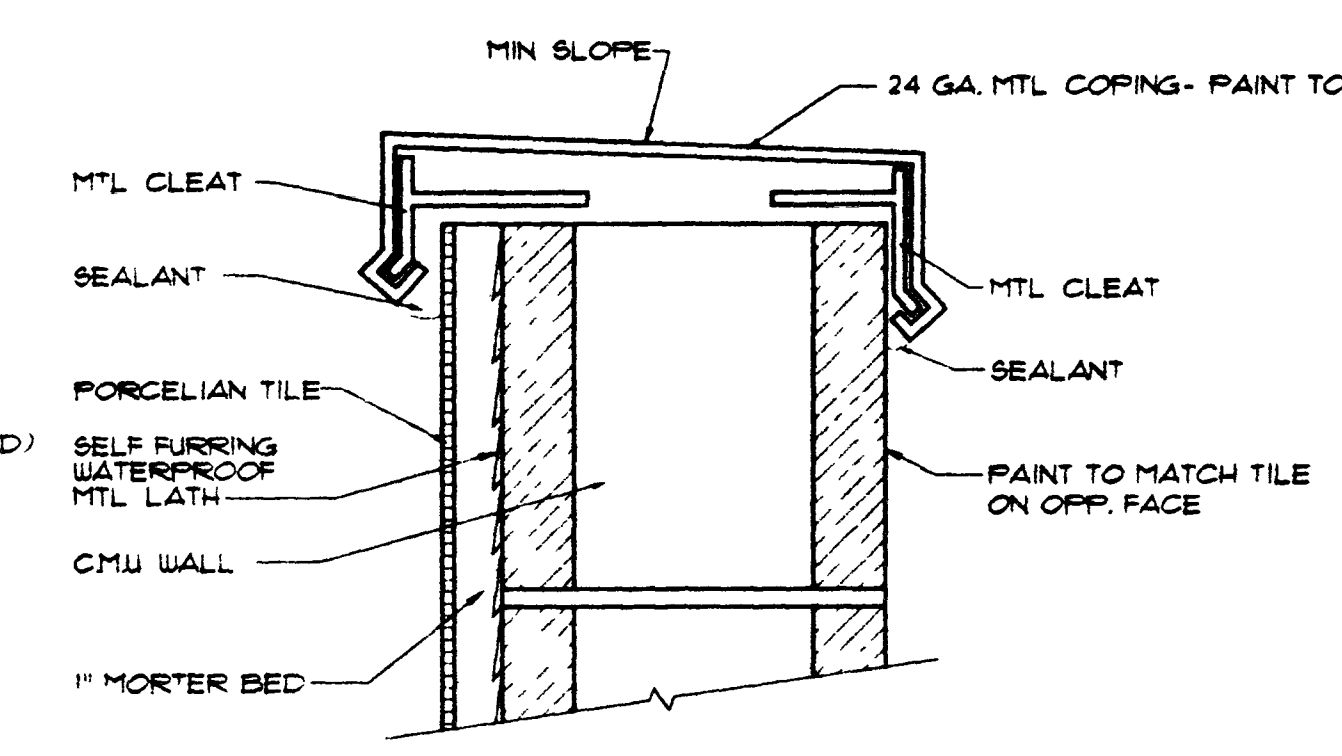
5 COLD PIPE FLASHING
SCALE: 3" = 1'-0"



6 MTL. CURB FLASHING
SCALE: 3" = 1'-0"

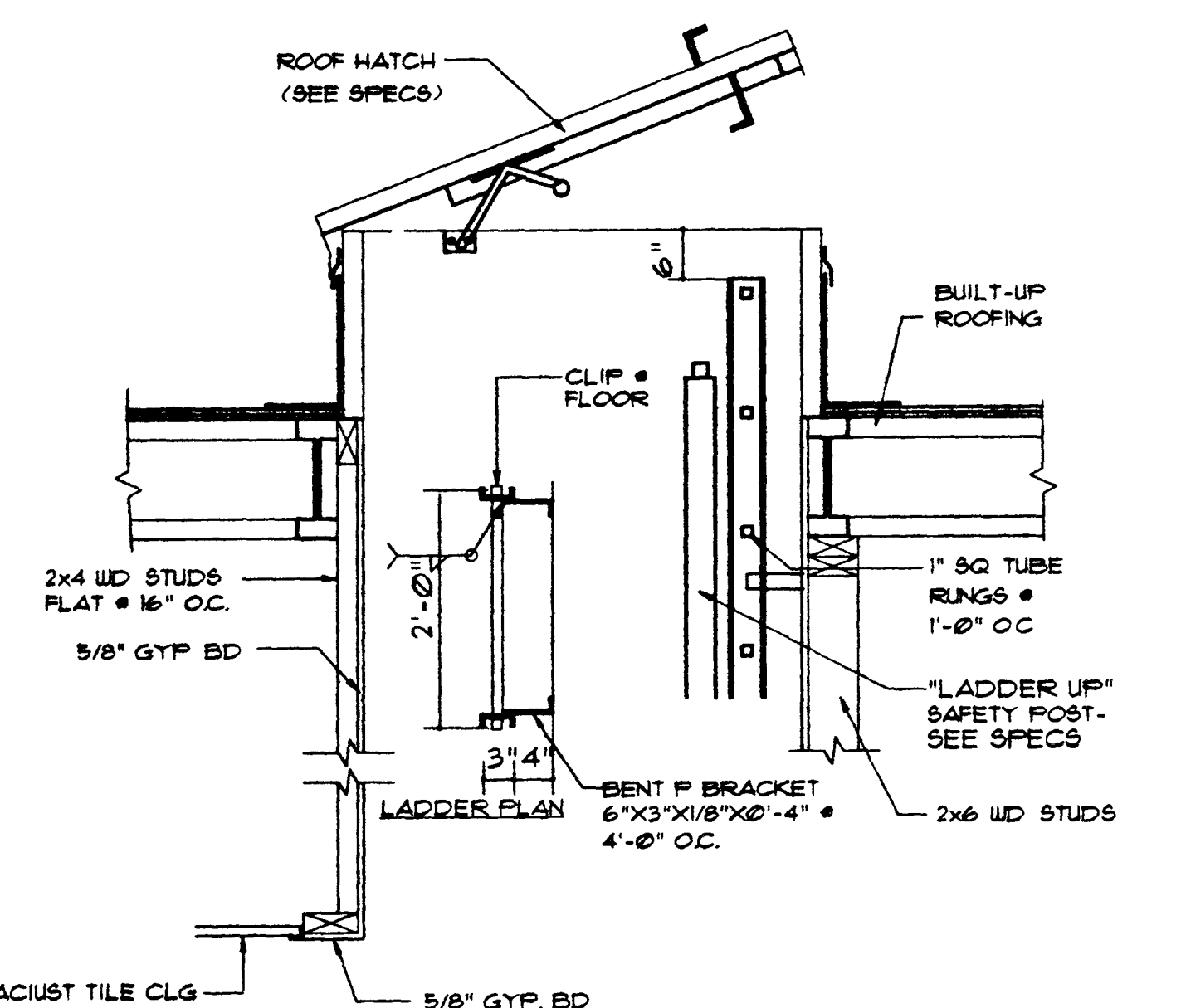


7 HOT PIPE FLASHING
SCALE: 3" = 1'-0"

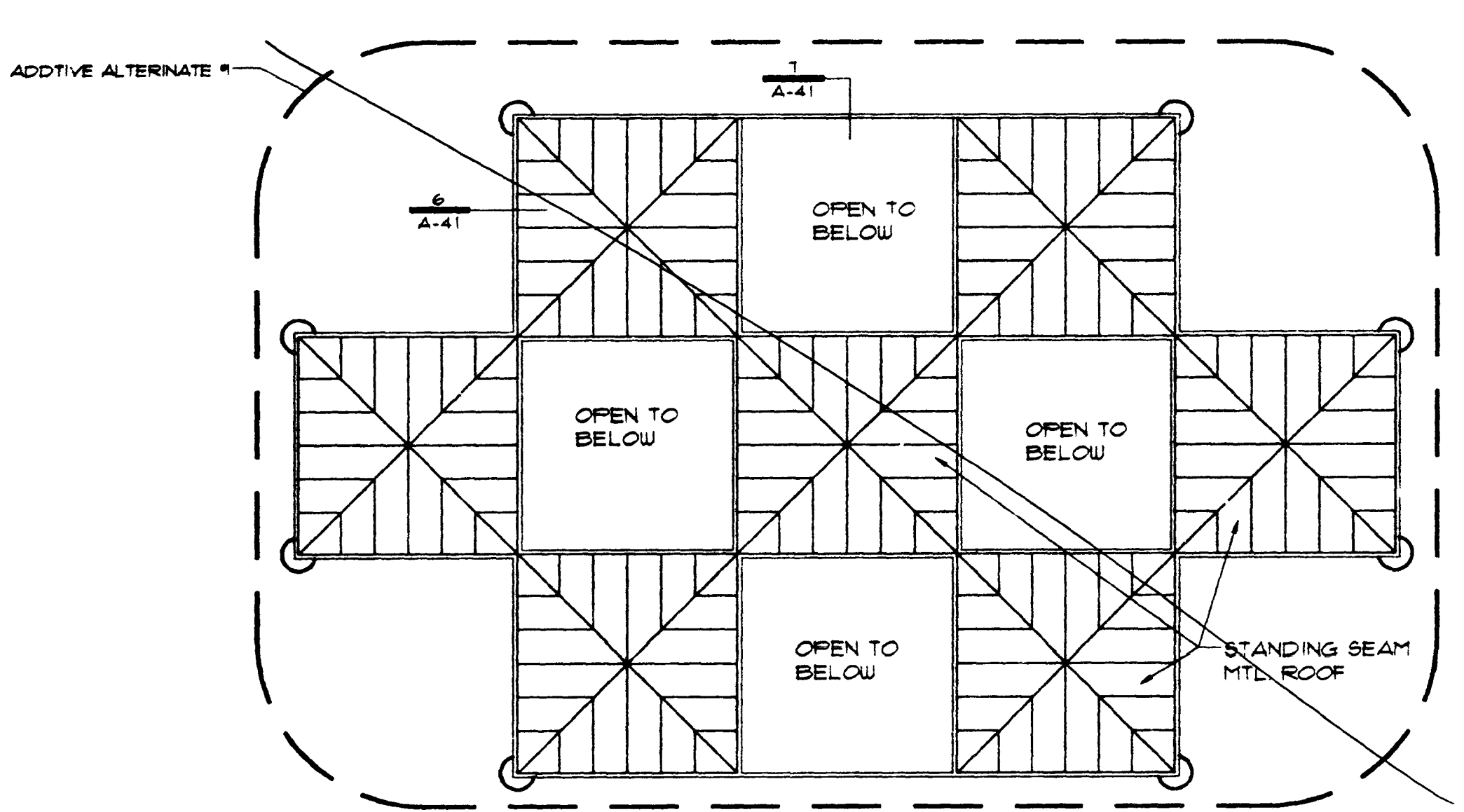


8 COPING @ CMU WALL
SCALE: 3" = 1'-0"

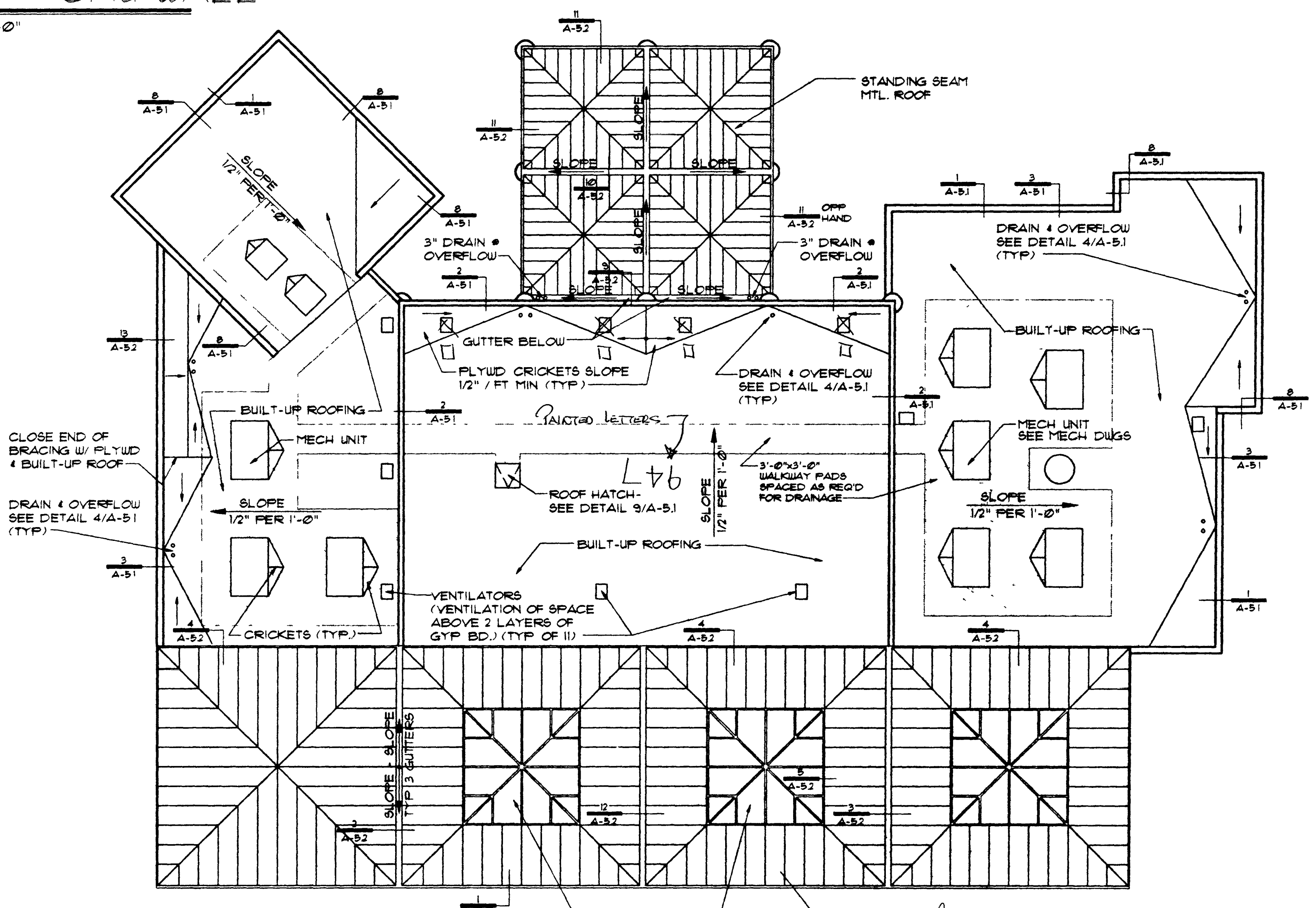
NOTE:
1. FABRICATE AND INSTALL ALL COPING & FLASHINGS PER SMACNA MANUAL.



9 ROOF HATCH & LADDER
SCALE: 3/4" = 1'-0"



10 1 HOUR PENETRATION DETAIL
SCALE: 3" = 1'-0"



ROOF PLAN
SCALE: 1/8" = 1'-0"

*Propose Roofing
Type Following
1-18-95*

CBM
Nucor/American
3 FEB 95

WEST LAS VEGAS ARTS CENTER
DOOLITTLE PARK - LAS VEGAS, NEVADA
ROOF PLAN
& DETAILS
A-5-BUILT

Date	8/12/93
Drawn by	MHS
Checked by	M.T.
Project No.	92-160
Scale	1/8" = 1'-0"
Sheet No.	A-5.1



1 PARAPET FLASHING
SCALE 1/4" = 1'-0"



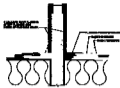
2 COPING • STUD WALL
SCALE 1/4" = 1'-0"



3 COPING • CMU WALL
SCALE 1/4" = 1'-0"



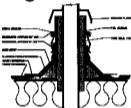
4 DRAIN FLASHING
SCALE 1/4" = 1'-0"



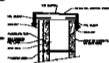
5 COLD PIPE FLASHING
SCALE 1/4" = 1'-0"



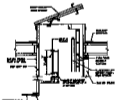
6 MET. CURB FLASHING
SCALE 1/4" = 1'-0"



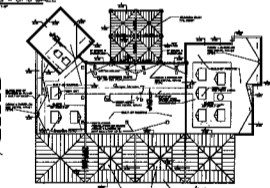
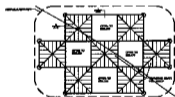
7 HOT PIPE FLASHING
SCALE 1/4" = 1'-0"



8 COPING • CMU WALL
SCALE 1/4" = 1'-0"



9 ROOF HATCH & LADDER
SCALE 1/4" = 1'-0"



10 ROOF PLAN



11 1 HOUR PENETRATION DETAIL
SCALE 1/4" = 1'-0"

WEST LAS VEGAS ARTS CENTER
DOCKHILL PARK - LAS VEGAS, NEVADA
ROOF PLAN
& DETAILS

A-51

611-46