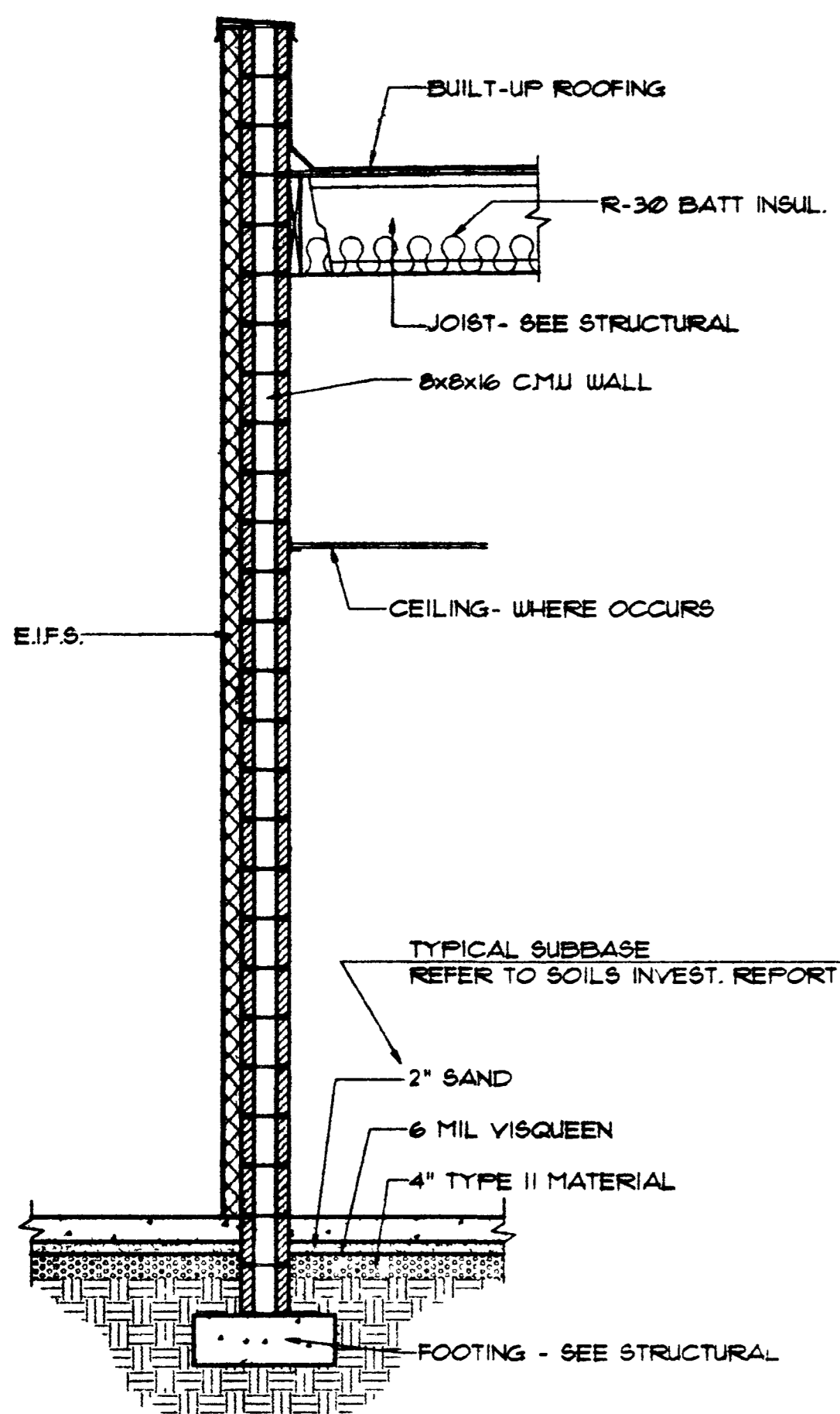
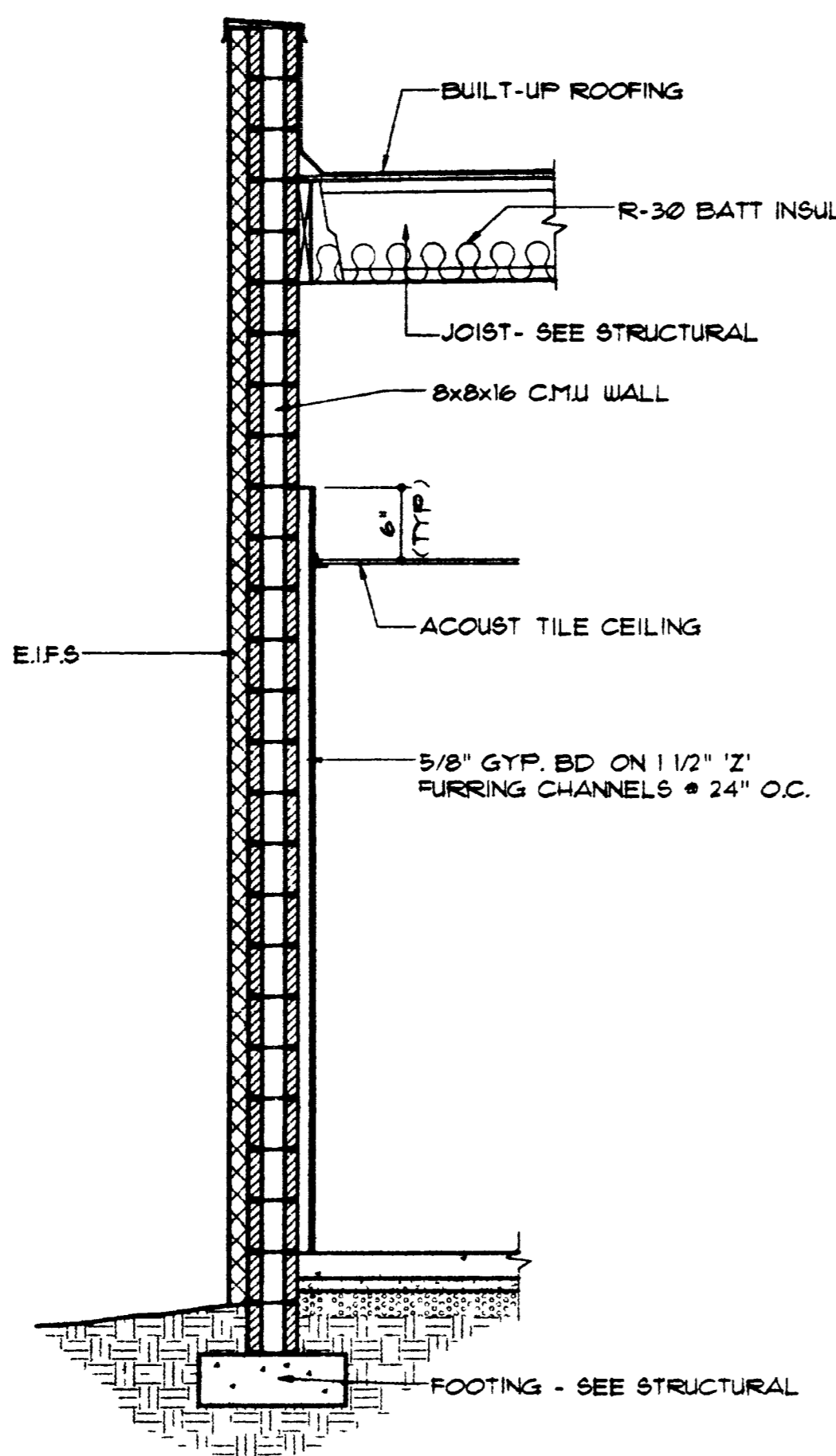


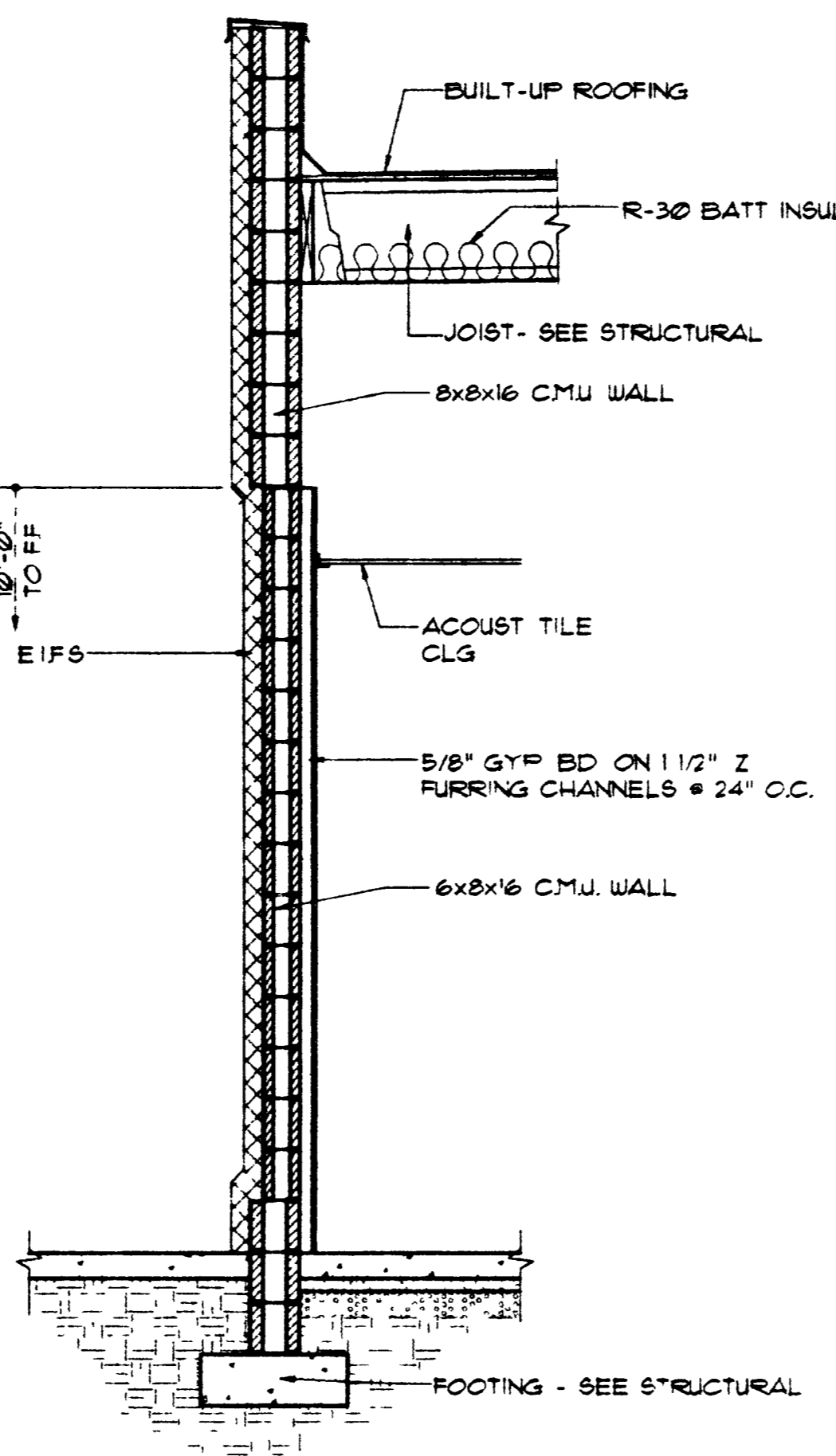
Revisions	



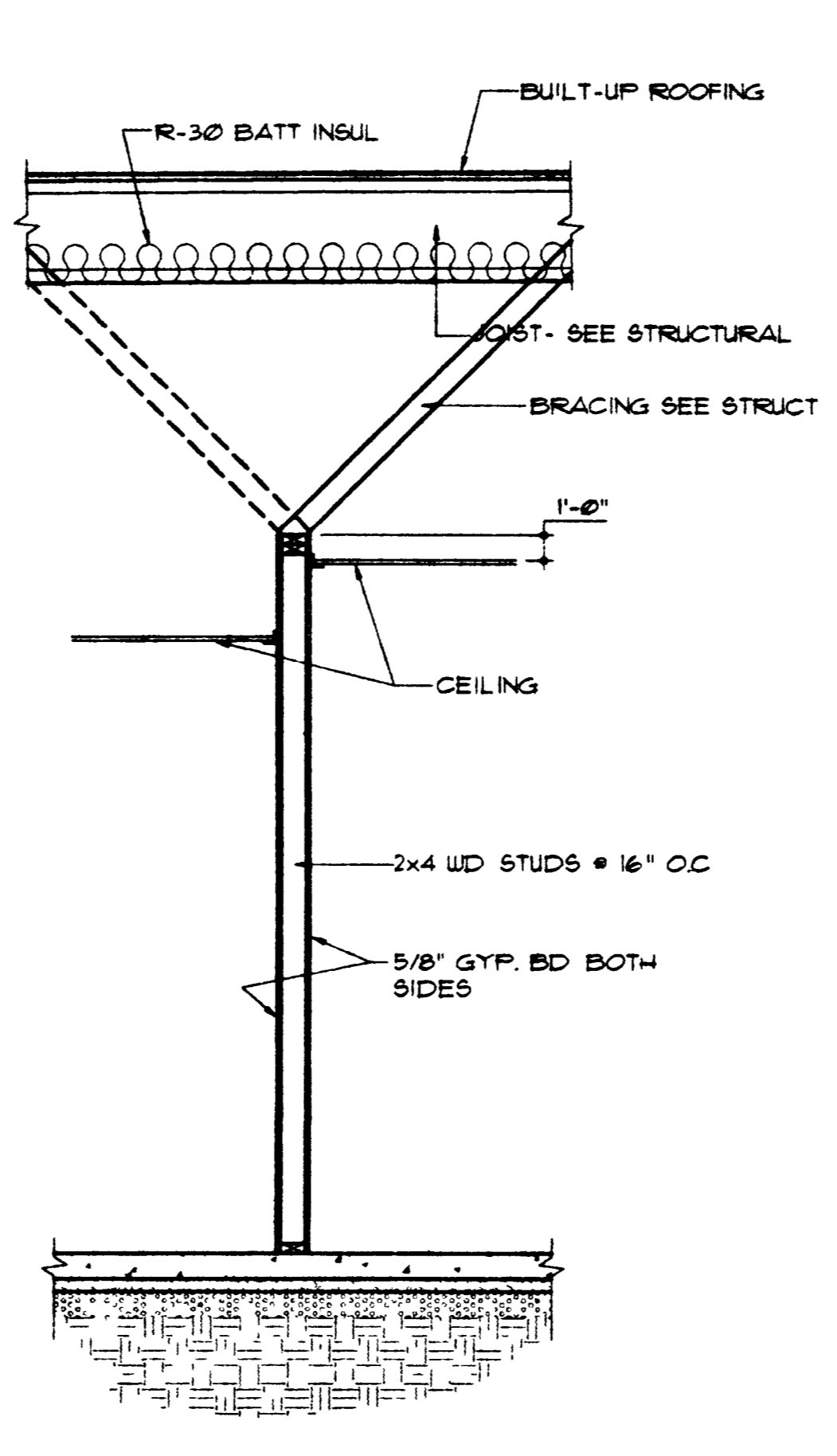
1 WALL SECTION
SCALE 1/2" = 1'-0"



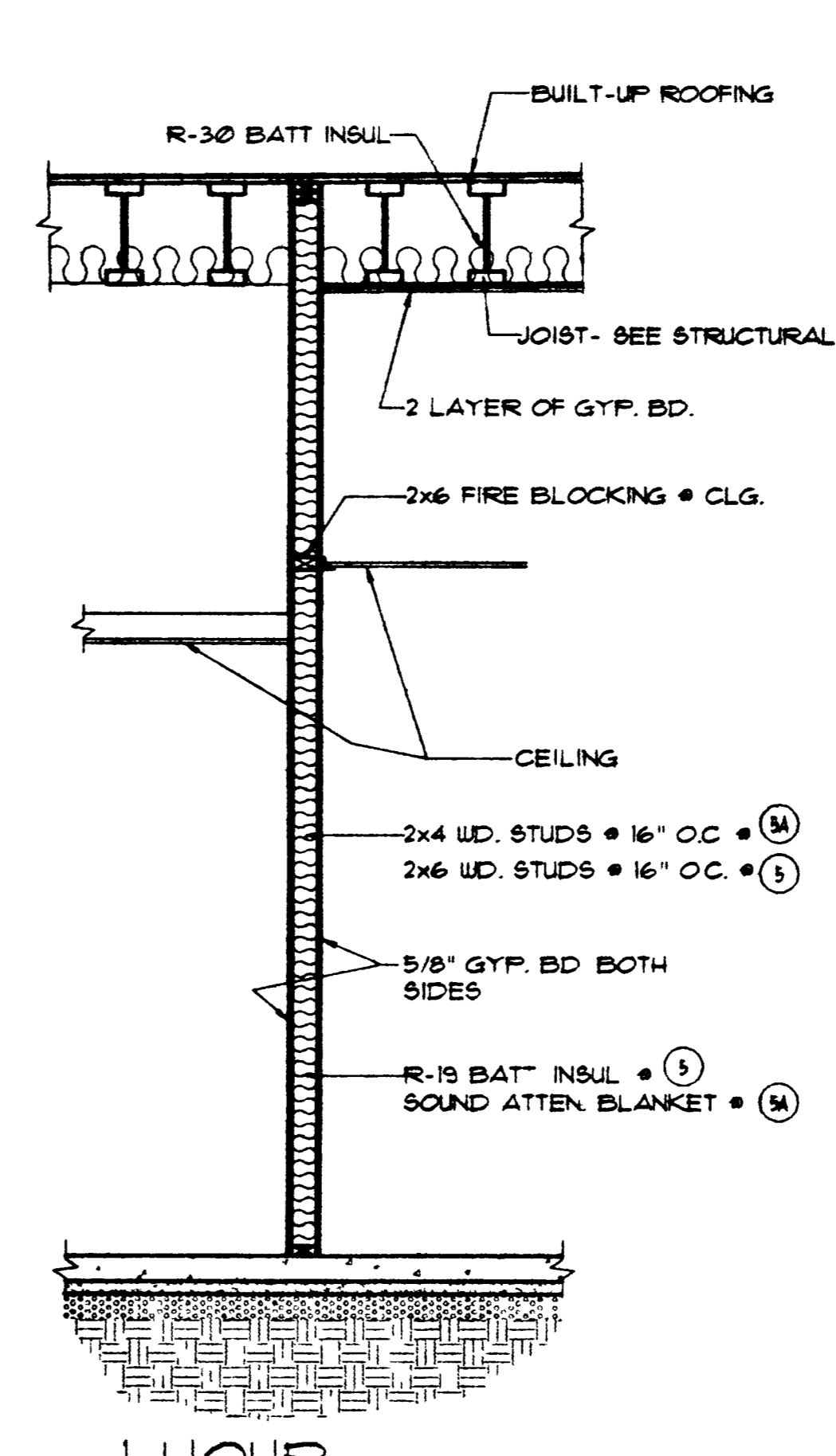
2 WALL SECTION
SCALE 1/2" = 1'-0"



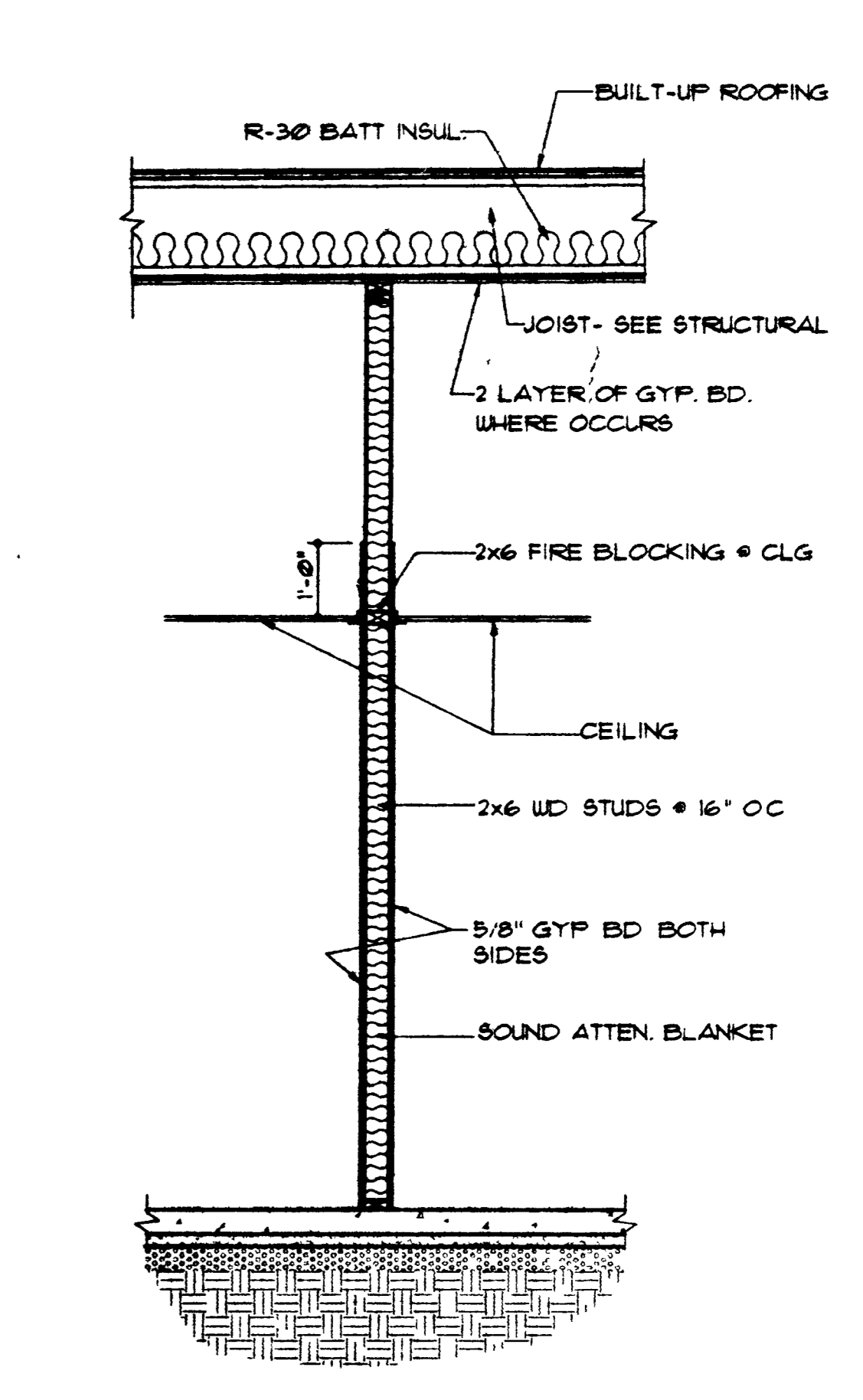
3 WALL SECTION
SCALE 1/2" = 1'-0"



4 WALL SECTION
SCALE 1/2" = 1'-0"



5 1 HOUR WALL SECTION
SCALE 1/2" = 1'-0"

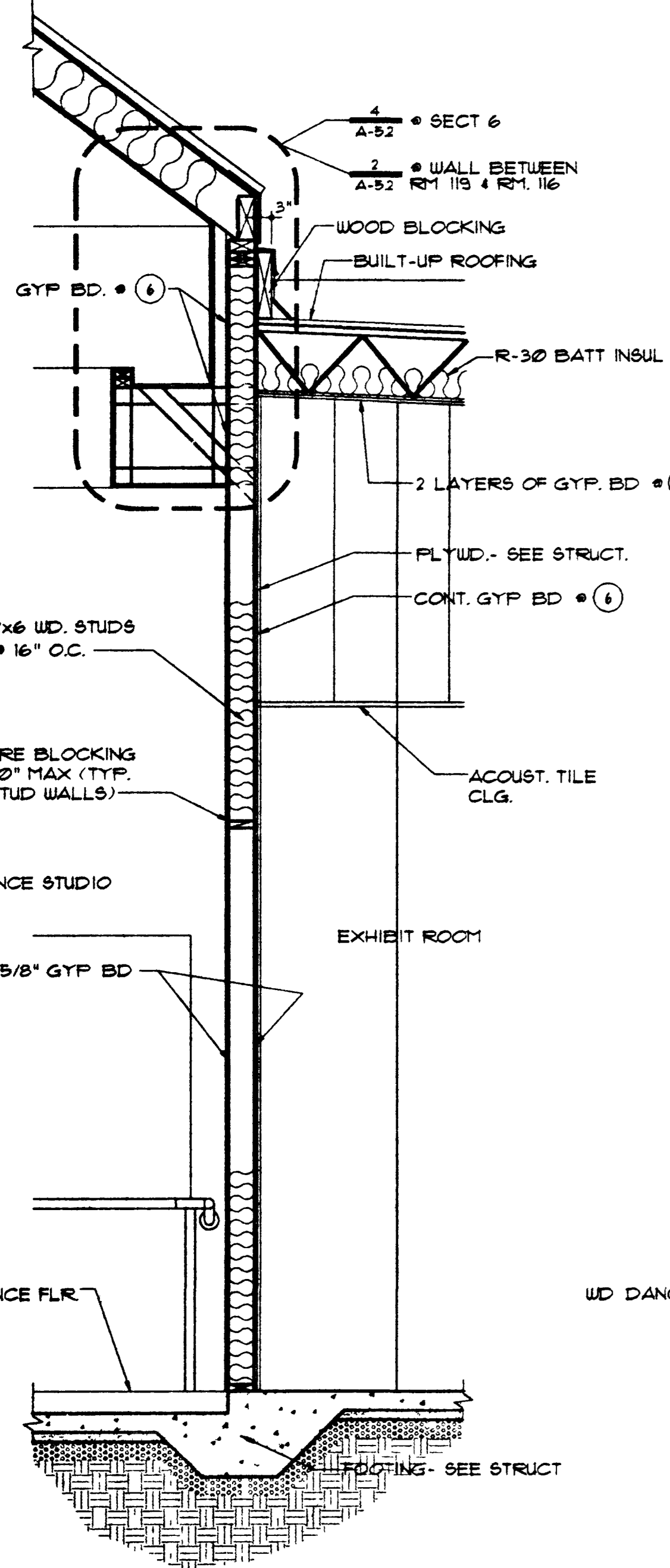


5B WALL SECTION
SCALE 1/2" = 1'-0"

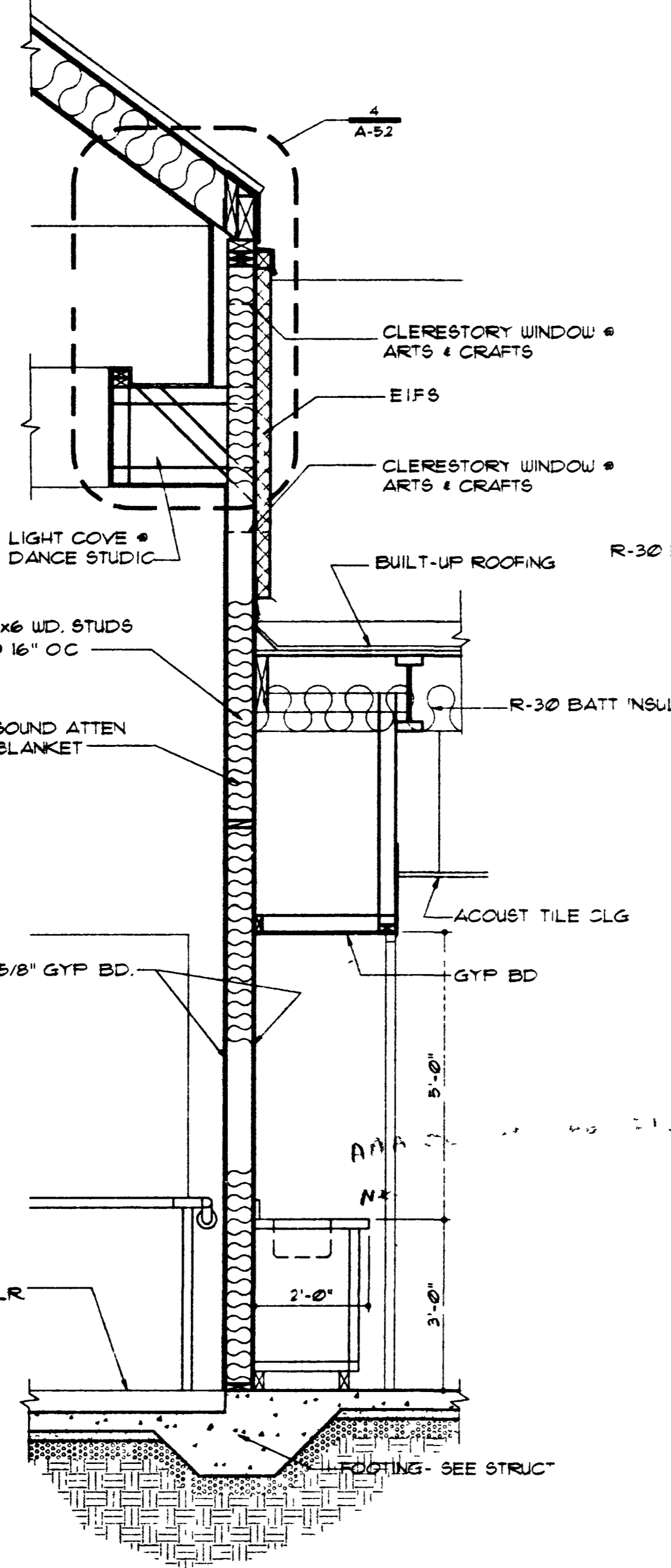
5A 1 HOUR WALL SECTION
SCALE 1/2" = 1'-0"

NOTES

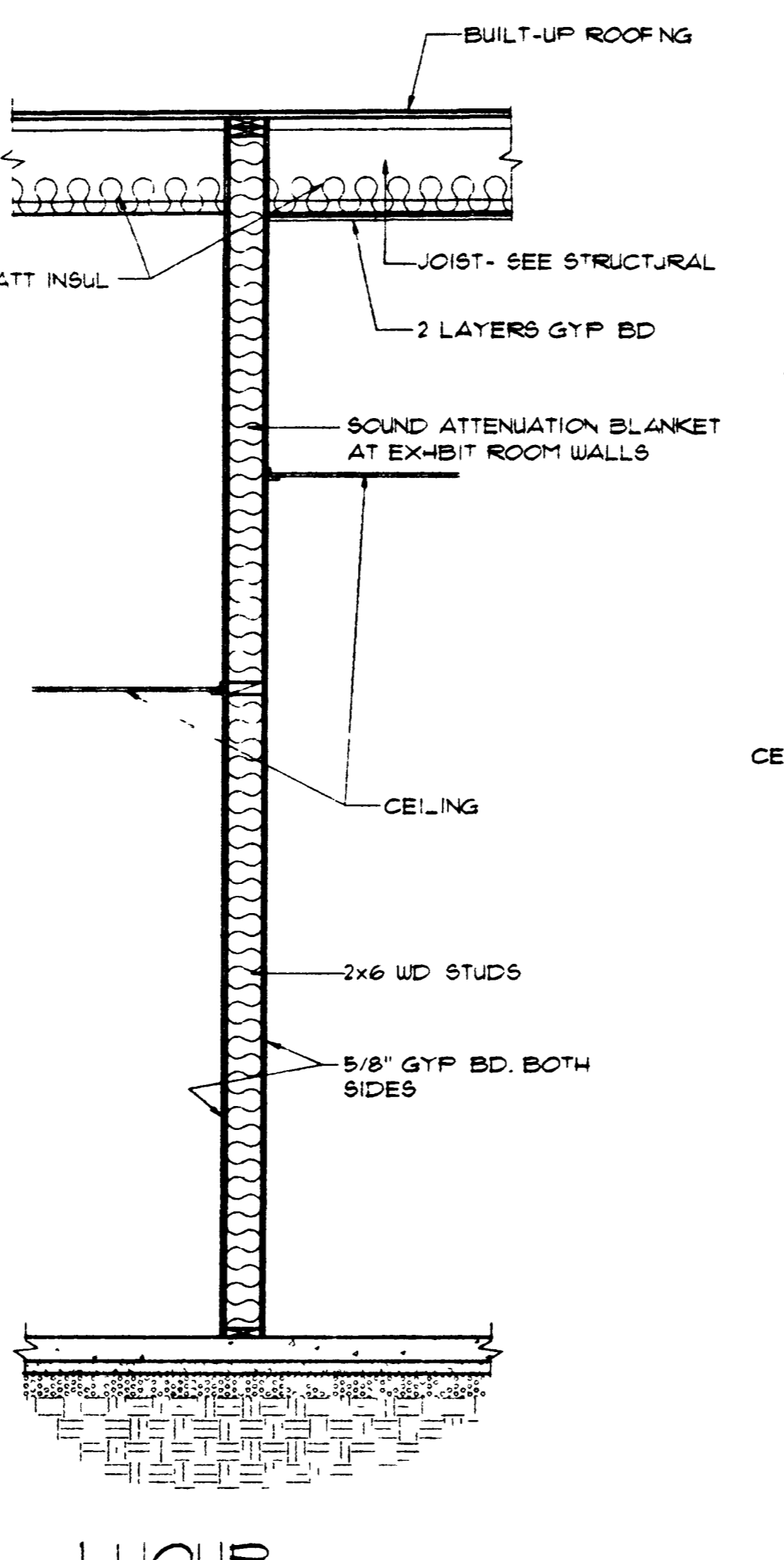
- SEE REFLECTED CLG PLAN FOR AREAS TO RECEIVE 2 LAYERS OF 5/8" TYPE 'X' GYP. BD. AT UNDERSIDE OF ROOF FRAMING, FOR 1 HOUR PROTECTION
- SEE ROOM FINISH SCHEDULE FOR TYPE AND HEIGHT OF CEILING
- SEE STRUCTURAL DRAWINGS FOR TYPE AND DIRECTION OF ROOF FRAMING MEMBERS, SHEAR WALL AND DEPRESSED SLAB AREAS



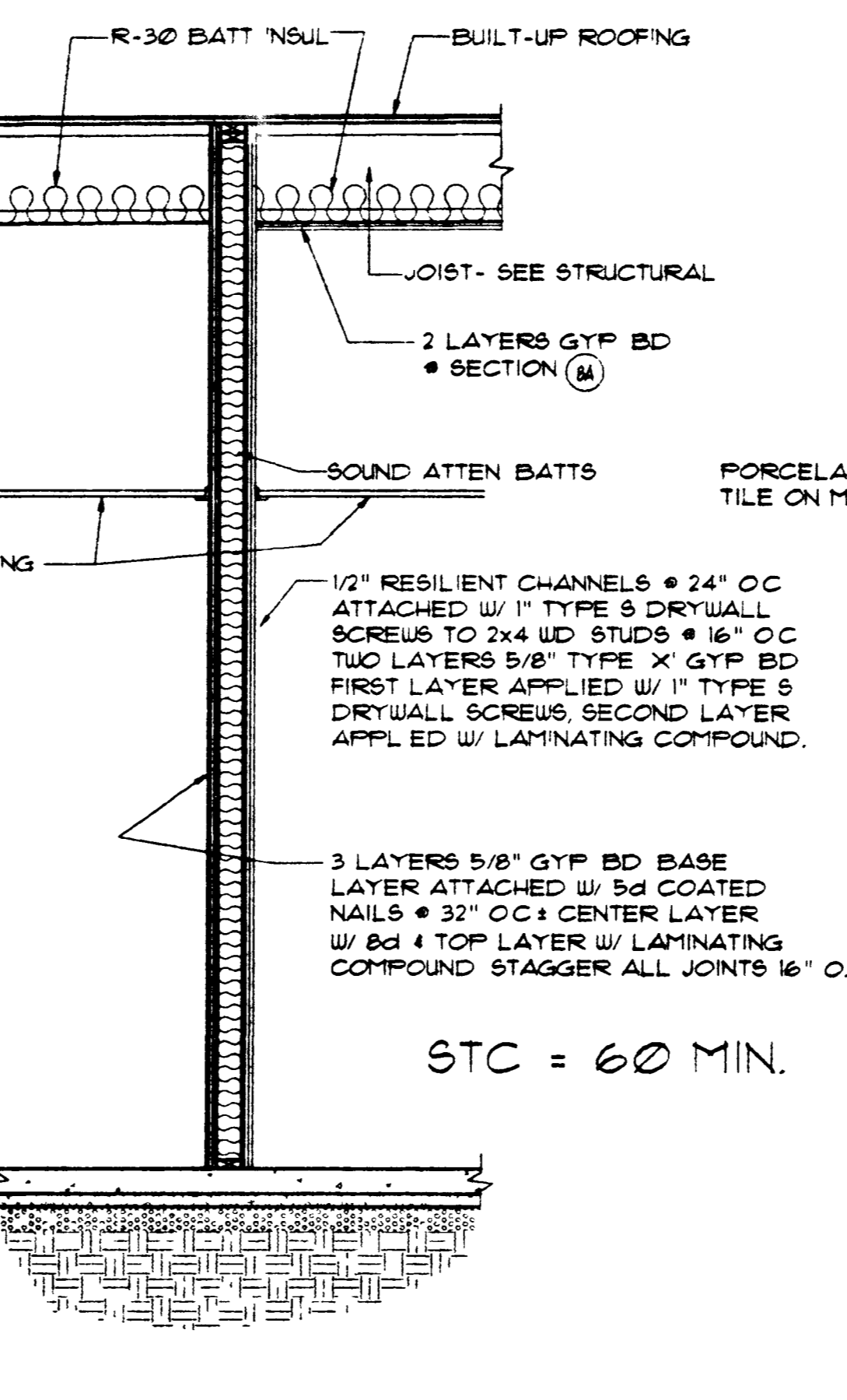
6 1 HOUR WALL SECTION
SCALE 1/2" = 1'-0"



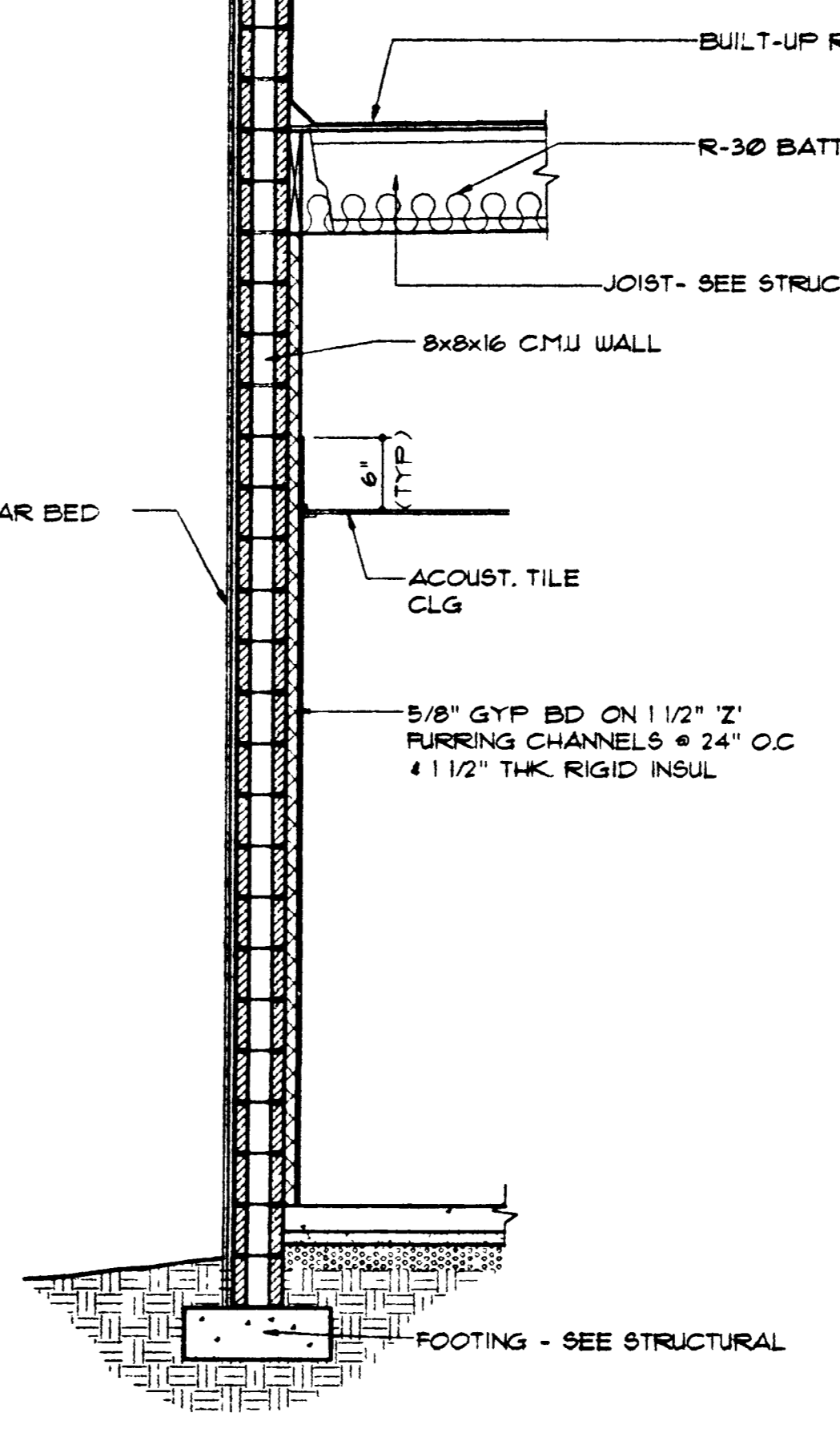
6B WALL SECTION
SCALE 1/2" = 1'-0"



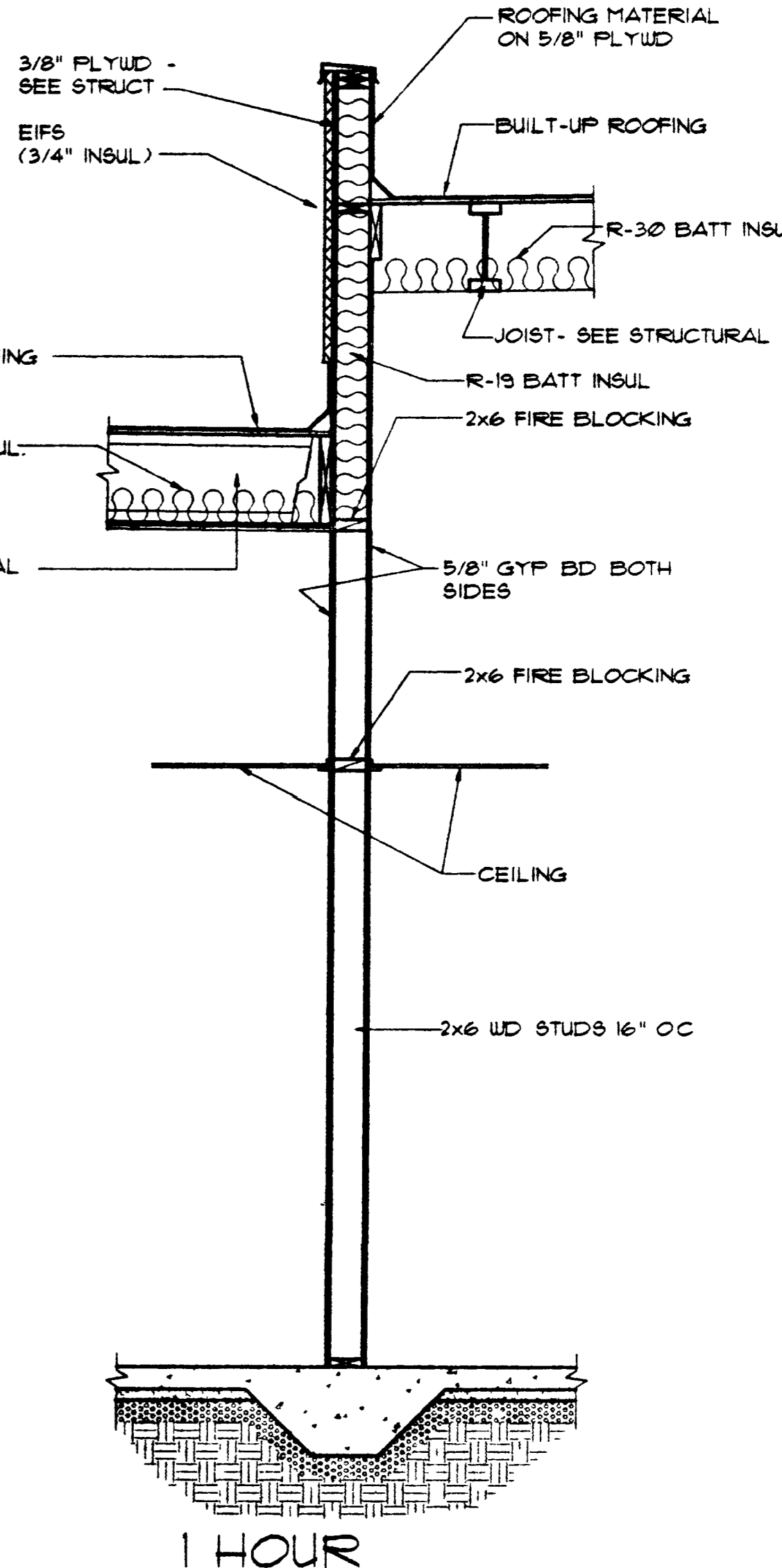
7 1 HOUR WALL SECTION
SCALE 1/2" = 1'-0"



8 WALL SECTION
SCALE 1/2" = 1'-0"



9 WALL SECTION
SCALE 1/2" = 1'-0"



10 1 HOUR WALL SECTION
SCALE 1/2" = 1'-0"

6A WALL SECTION
SCALE 1/2" = 1'-0"

8A 1 HOUR WALL SECTION
SCALE 1/2" = 1'-0"

Harry Lampel Architects
1800 East Flamingo Road, Suite 120, Las Vegas, NV 89119 (702) 731-0563 Fax (702) 731-9266
These Drawings, as Instruments of Service, are and Shall Remain the Property of Harry Lampel Architects.

WEST LAS VEGAS ARTS CENTER
DOOLITTLE PARK - LAS VEGAS, NEVADA
WALL SECTIONS AS-BUILT

Date 8/12/93
Drawn By MHS
Project No 92-160
Scale 1/2" = 1'-0"
Sheet No A-4.2

