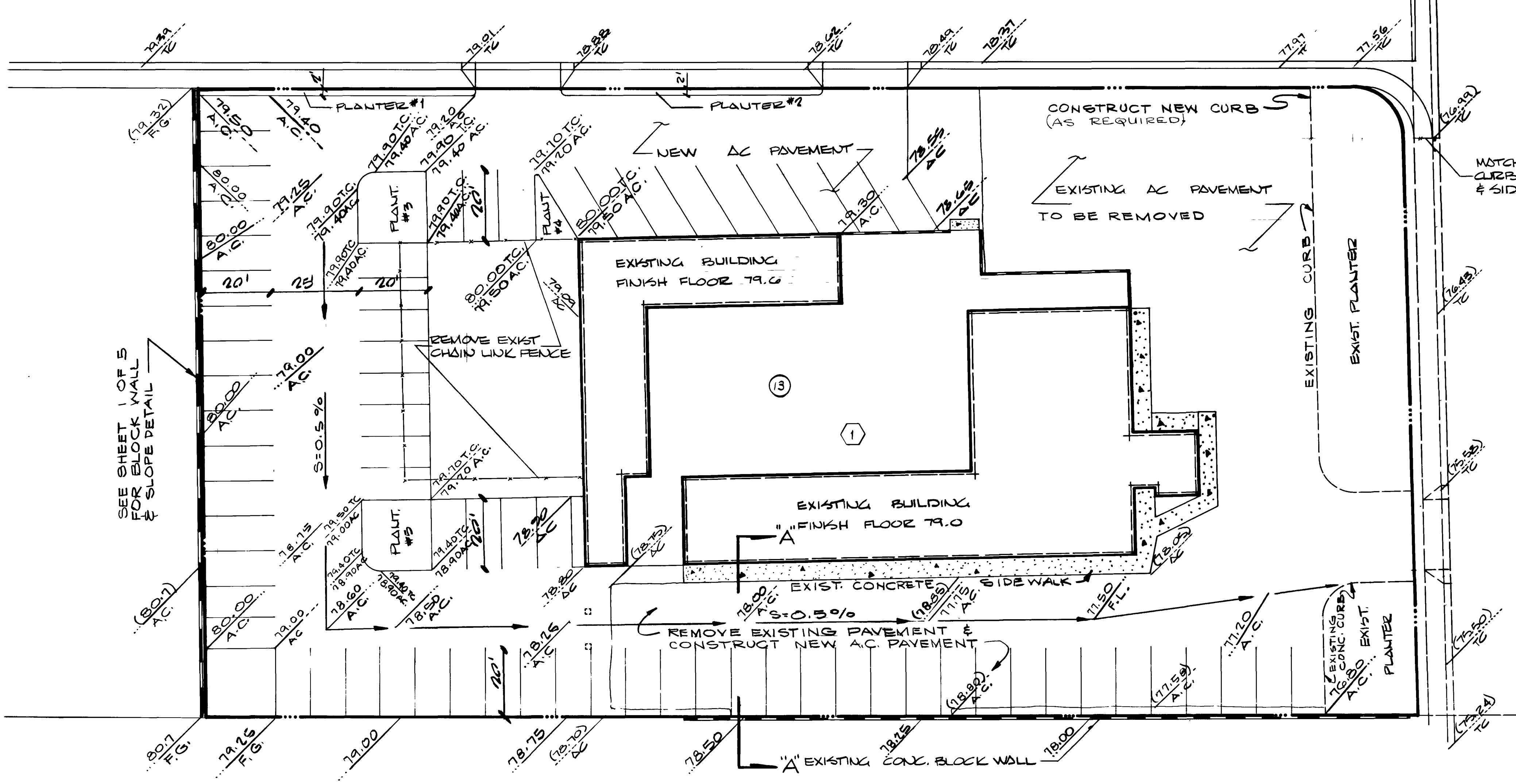
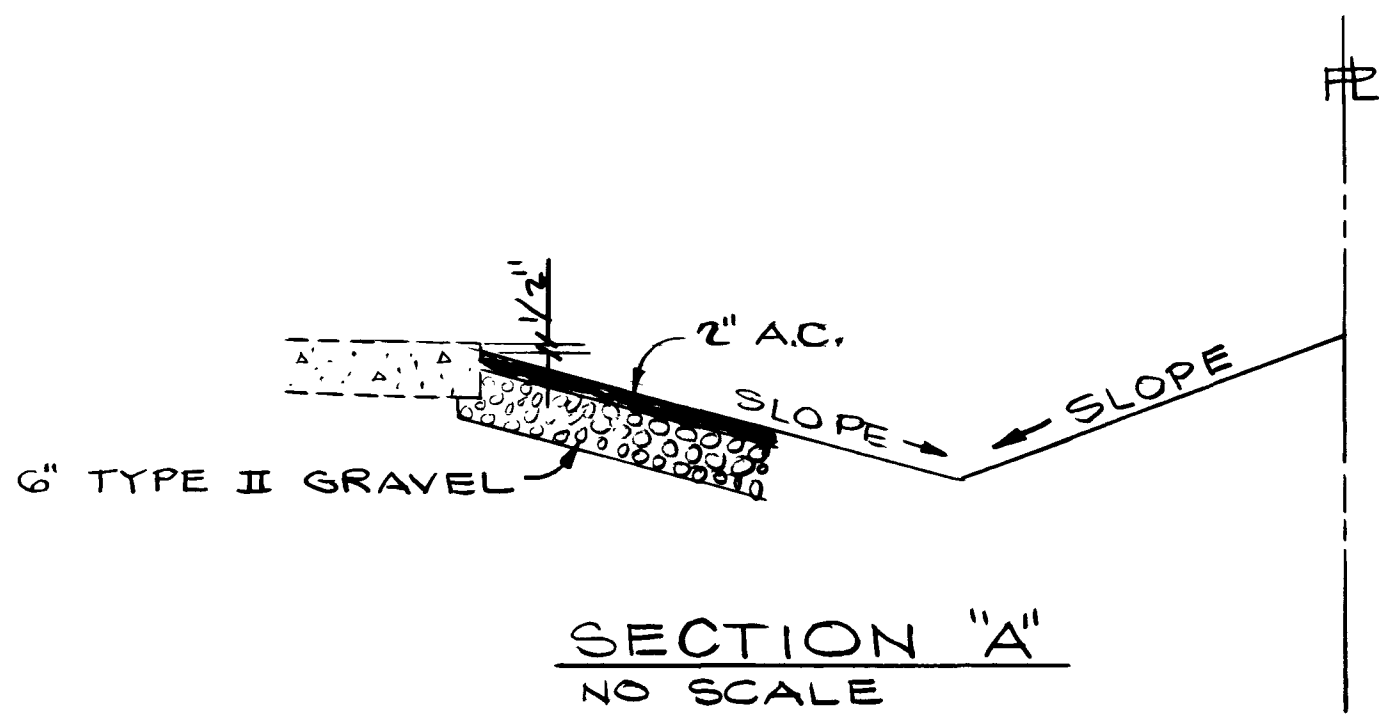


GLEN ABBEY CIRCLE

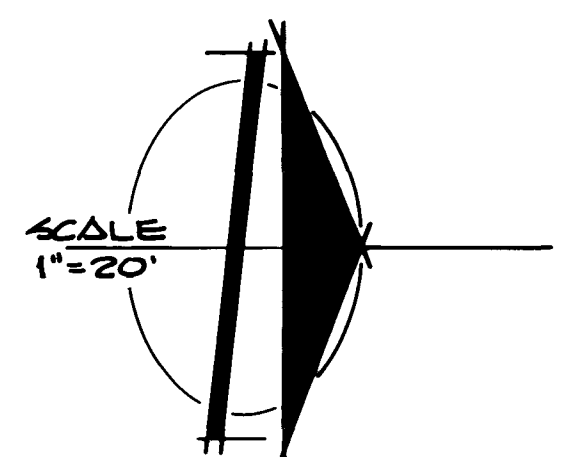
SEE SHEET 3



SEE SHEET 1 OF 5 FOR BLOCK WALL & SLOPE DETAIL



EXISTING CURB, GUTTER & SIDEWALK TO BE REMOVED



BENCH MARK

CLV BENCH MARK NO. 06130C2
LOCATED AT THE SOUTHWEST CORNER
OF WASHINGTON AVENUE & HOGAN DRIVE.
ELEVATION 2182.00

WASHINGTON AVENUE

LANDSCAPE SCHEDULE

- PLANTER #1 & 2
JUNIPER TAMES @ 5'-0" O.C.
- PLANTER #3 thru #6
ONE BLACK FINE EACH
SIX JUNIPER TAMES EACH

PARKING

70 SPACES

APPROVALS

[Signature] 11-29-78
CLV QUALITY CONTROL ENGINEER DATE

[Signature] 12-1-79
CLV FIELD OPERATIONS ENGINEER DATE

[Signature] 1/30/78
CLV CITY ENGINEER DATE

DATE	NO.	REVISIONS
7-1	1	REVISED CURB ELEVATION
7-1	2	CHANGED ST. NAME
7-1	3	CHANGED STREET NAME
7-1	4	REVISED GRADES ON SITE

PREPARED FOR: **TIBERTI/BLOOD**

DATE: 8-8-76
DESIGN: J.P.M.
DRAWN: C.J.P.
CHECK: C.J.P.
SCALE: 1"=20'

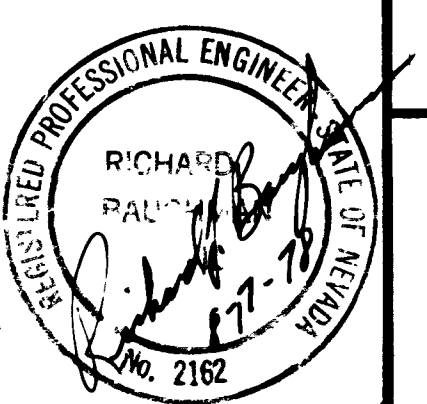
BAUGHMAN & TURNER
MINING ENGINEERS
LAND SURVEYORS
2325 WEST CHARLESTON BOULEVARD
LAS VEGAS, NEVADA 89102
702-876-8771

GRADING PLAN

SECTION 30, TOWNSHIP 20-SOUTH, RANGE 61-EAST, MERIDIAN 11-WEST, CITY OF LAS VEGAS, CLARK COUNTY, NEVADA

SHEET NO. 11
PROJ. NO. 1074-3045

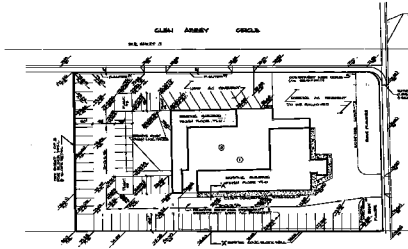
NOTE: UTILITY EXCAVATION WAS DERIVED FROM DATA SUPPLIED BY UTILITY COMPANIES. CONTRACTOR MUST CONFIRM LOCATION OF UTILITIES BEFORE COMMENCING EXCAVATION.



5349

21-8-8

1074-3045



GLEN ARROYO CIRCLE

WE 0127 3



REAR PORCH
 THIS PORCH SHALL BE CONSTRUCTED TO MEET THE REQUIREMENTS OF THE CITY OF SAN DIEGO AND THE STATE OF CALIFORNIA.

LANDSCAPING ACCESS
 LANDSCAPING SHALL BE INSTALLED AS SHOWN ON THIS PLAN AND SHALL BE MAINTAINED AT ALL TIMES.

PUBLIC
 TO BE USED

VEGETATION AVOIDANCE

DATE: 11/15/11
 DRAWN BY: [Signature]
 CHECKED BY: [Signature]



SECTION X OF SCALE



ALL INFORMATION CONTAINED HEREIN IS UNCLASSIFIED
 DATE 11/15/11 BY [Signature]

PROJECT NO. 11-11-11-001
 SHEET NO. 1 OF 1
 DATE: 11/15/11
 DRAWN BY: [Signature]
 CHECKED BY: [Signature]
 PROJECT: GLEN ARROYO CIRCLE
 CLIENT: [Name]
 ADDRESS: [Address]
 CITY: SAN DIEGO, CA
 STATE: CALIFORNIA
 LICENSE NO. [Number]
 EXPIRES: [Date]