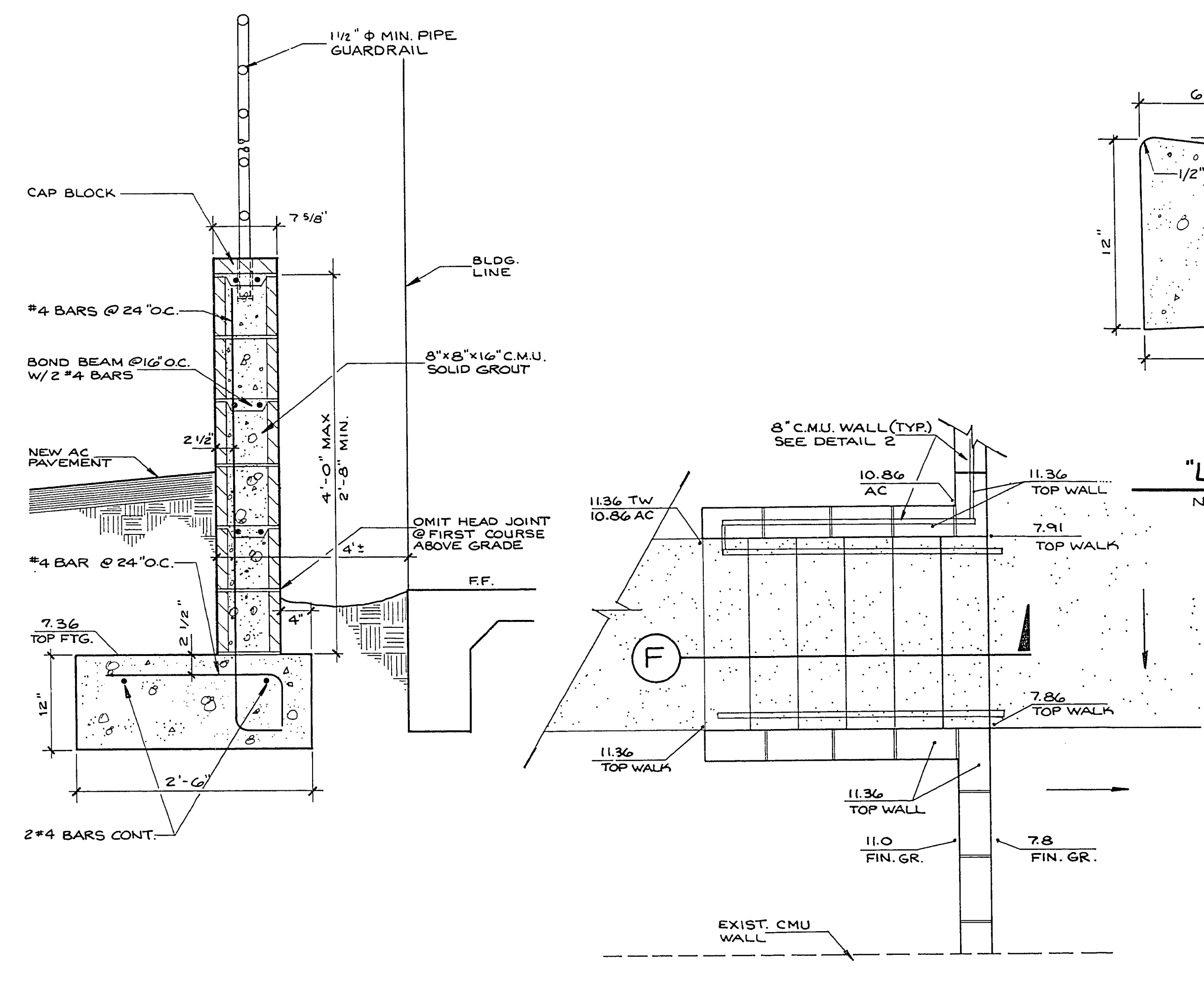
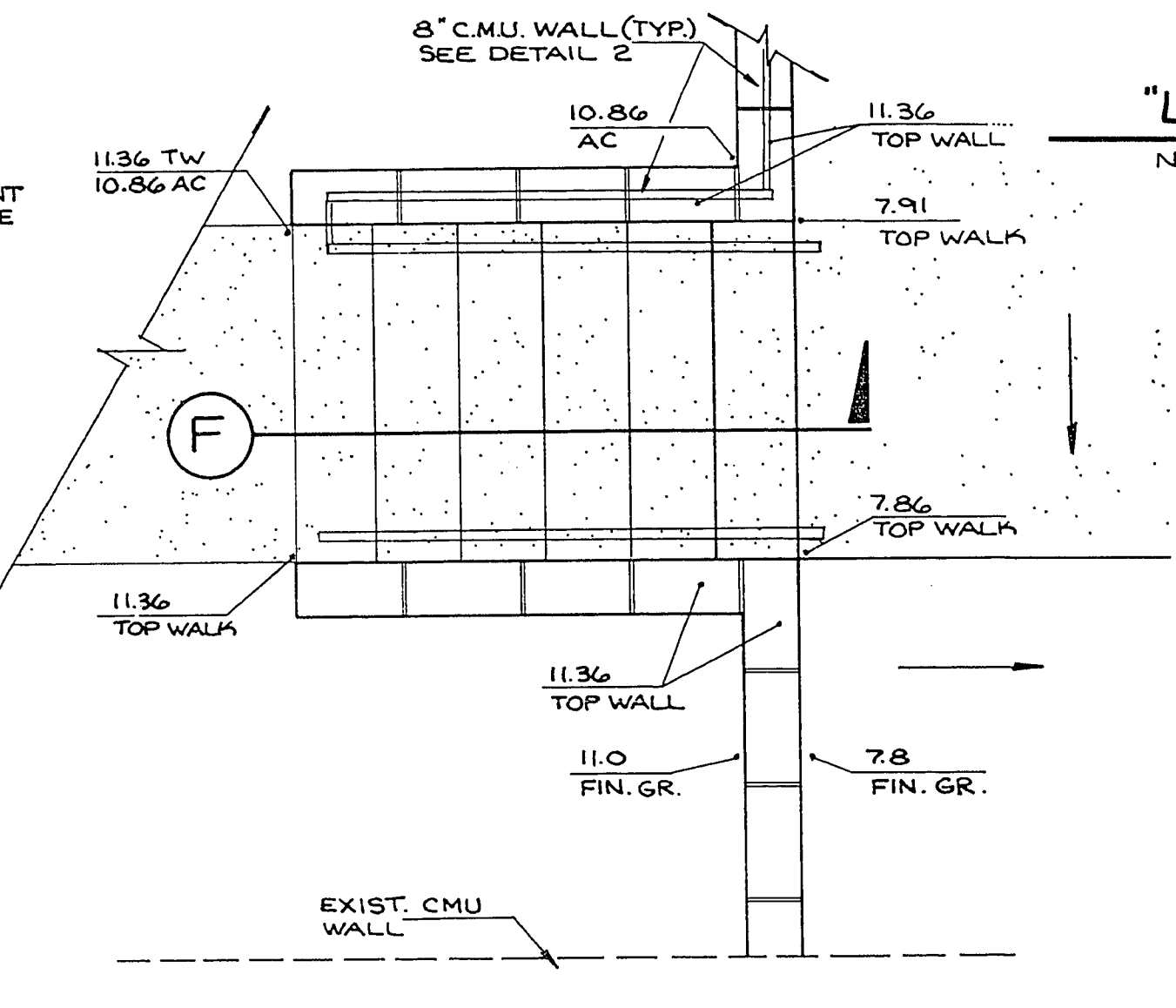


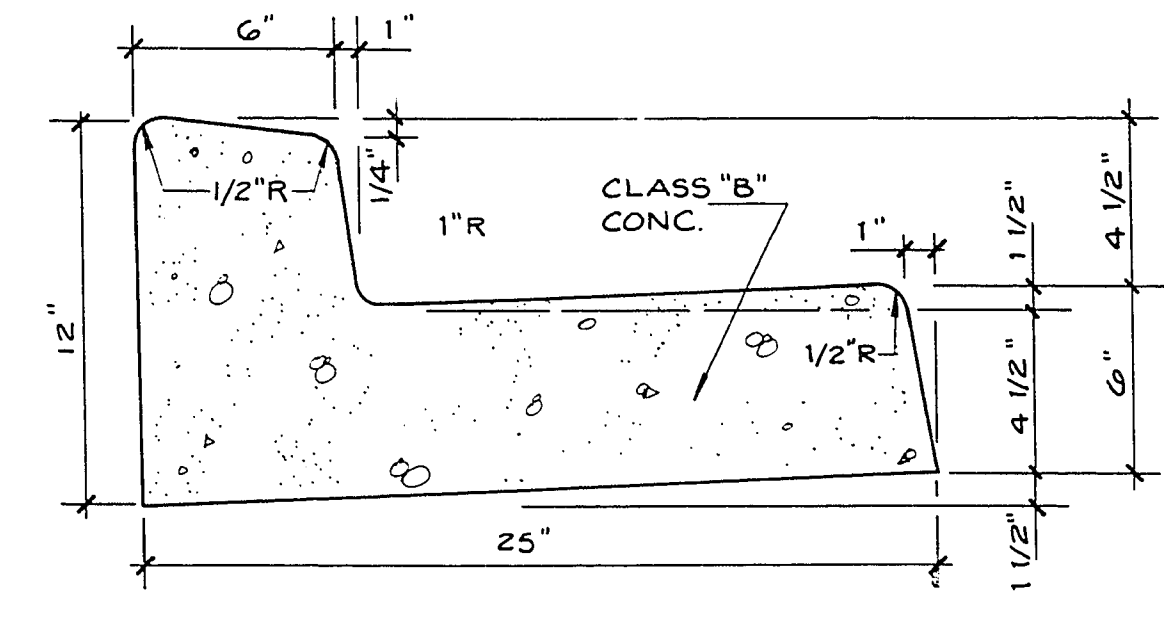
3 NO SCALE



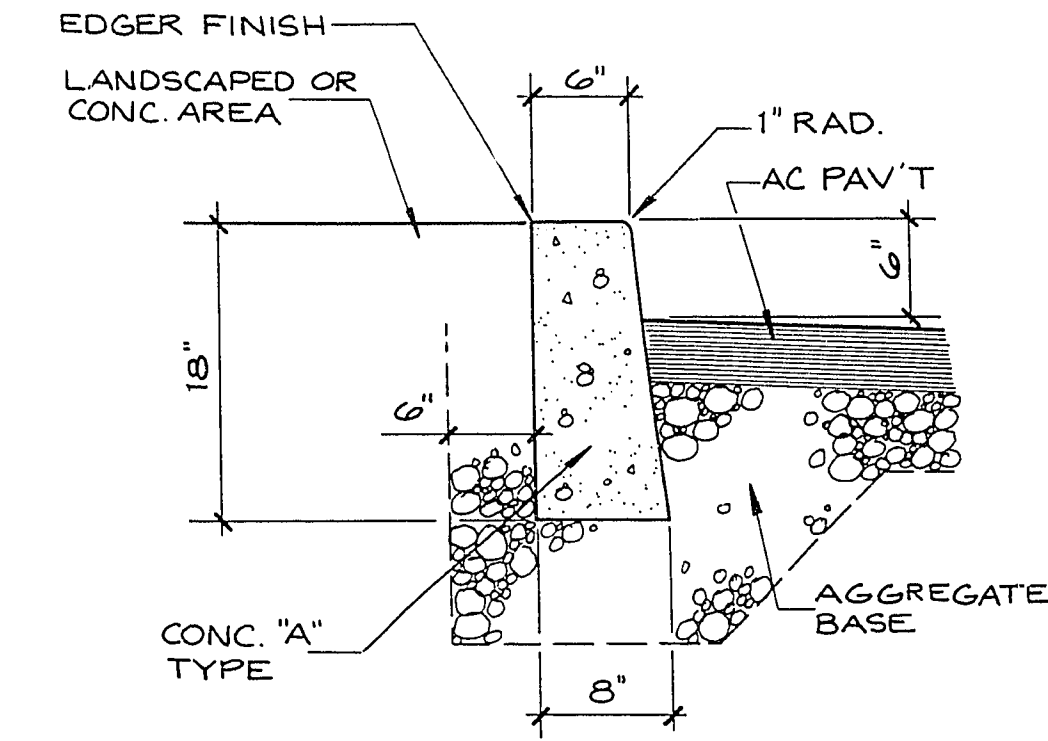
2 NO SCALE



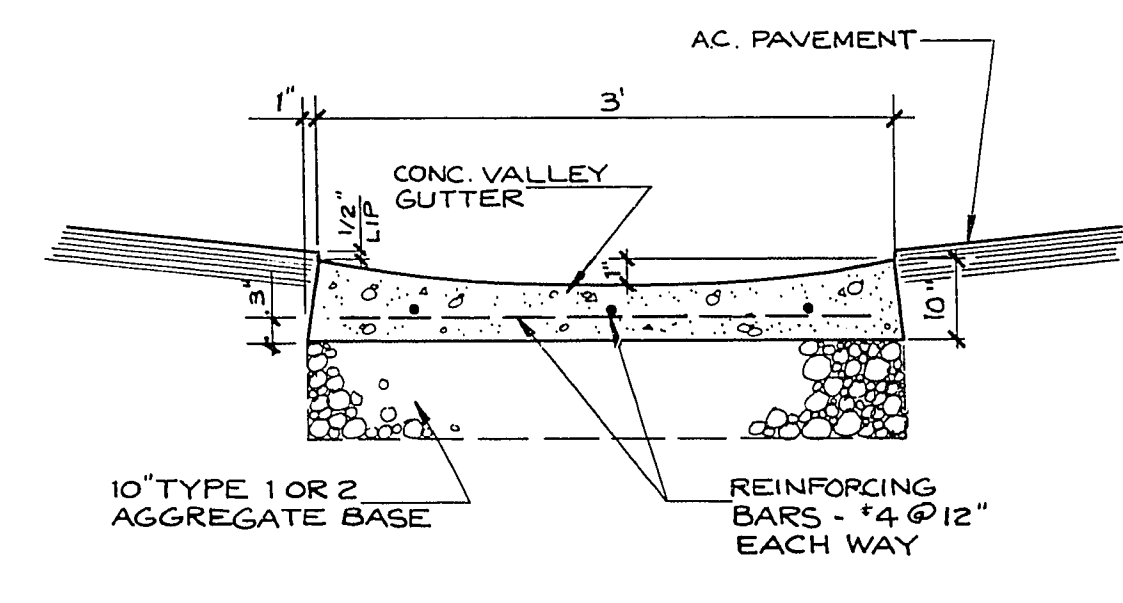
1 NO SCALE



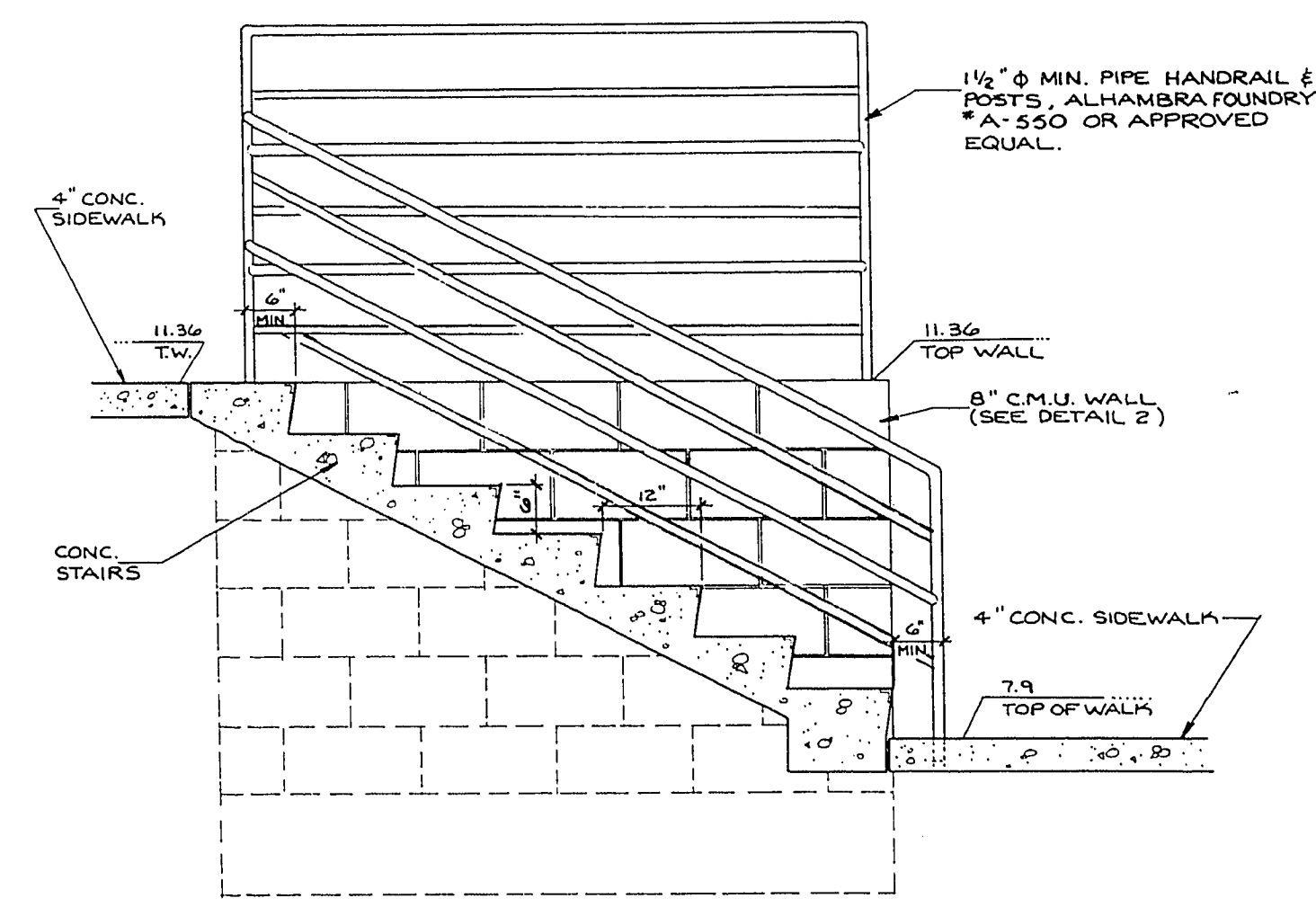
"L" CURB DETAIL NO SCALE



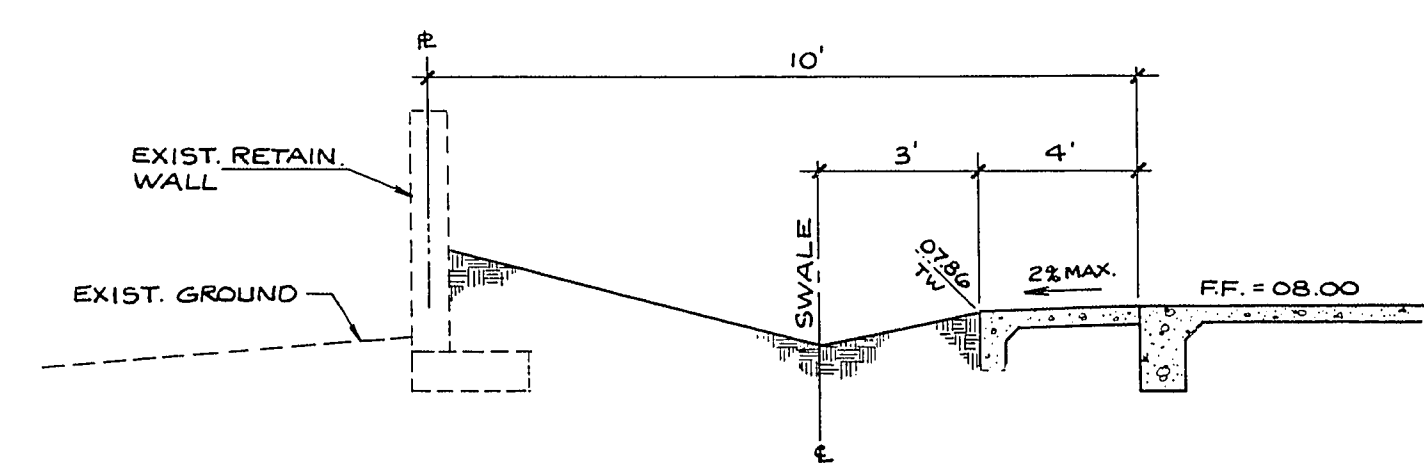
"A" CURB DETAIL NO SCALE



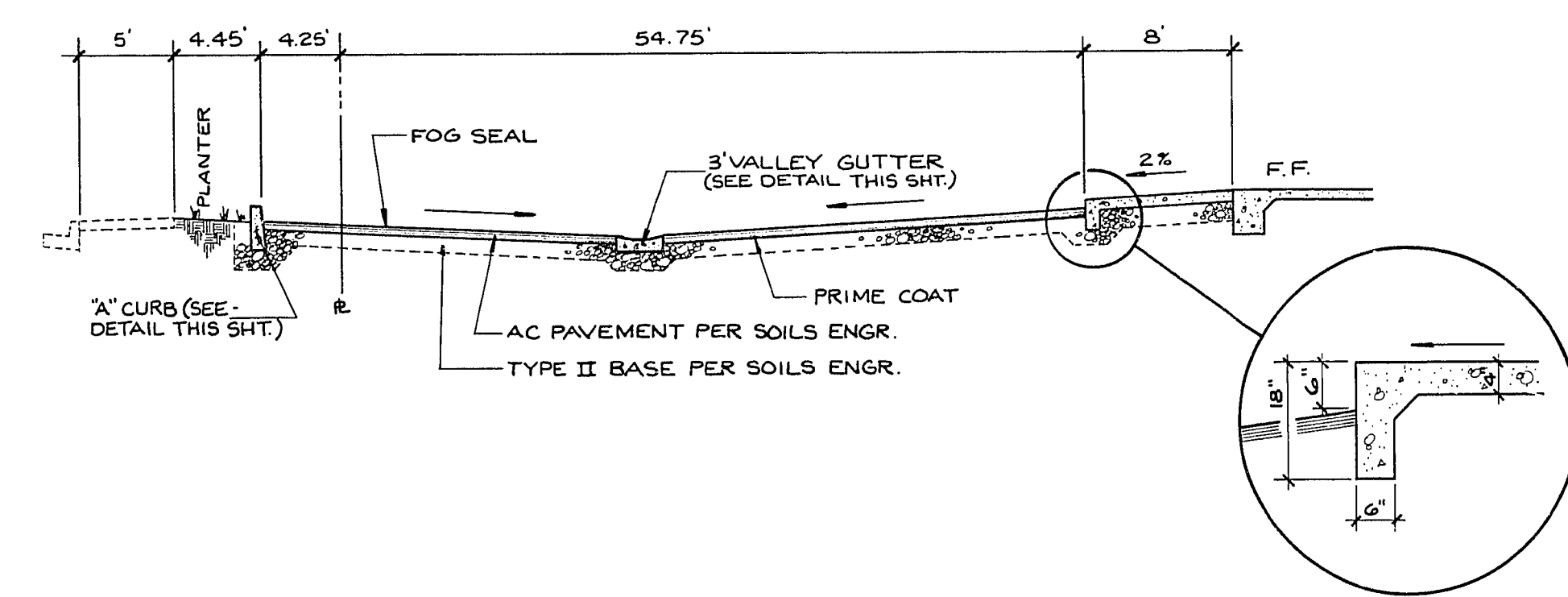
VALLEY GUTTER DETAIL NO SCALE



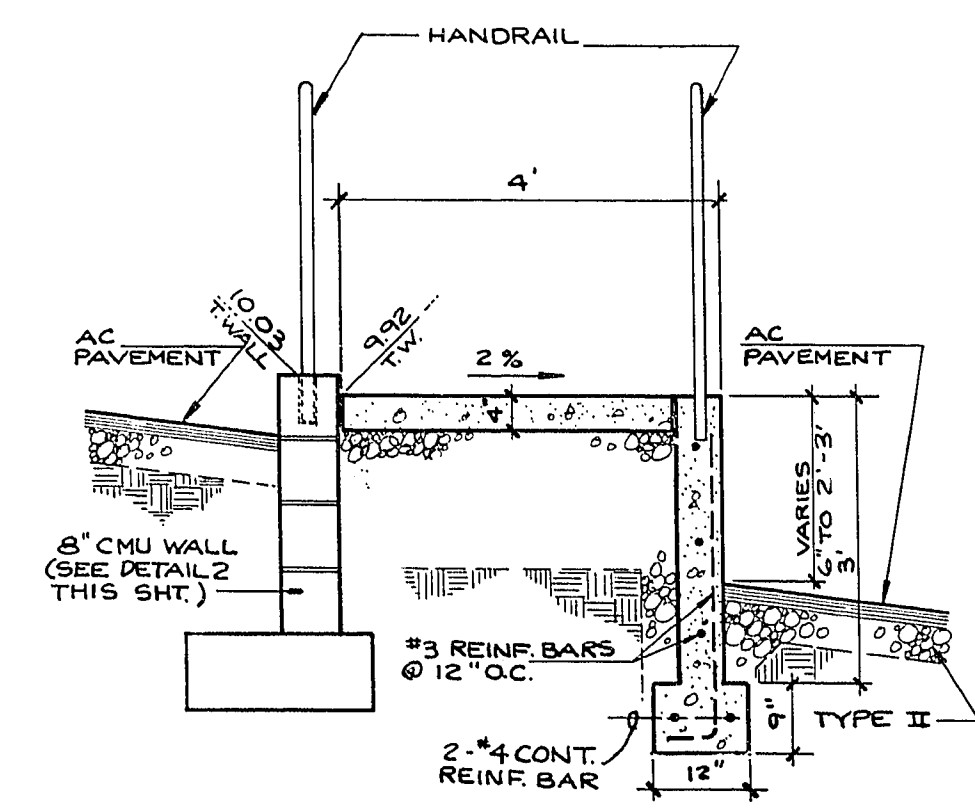
F NO SCALE



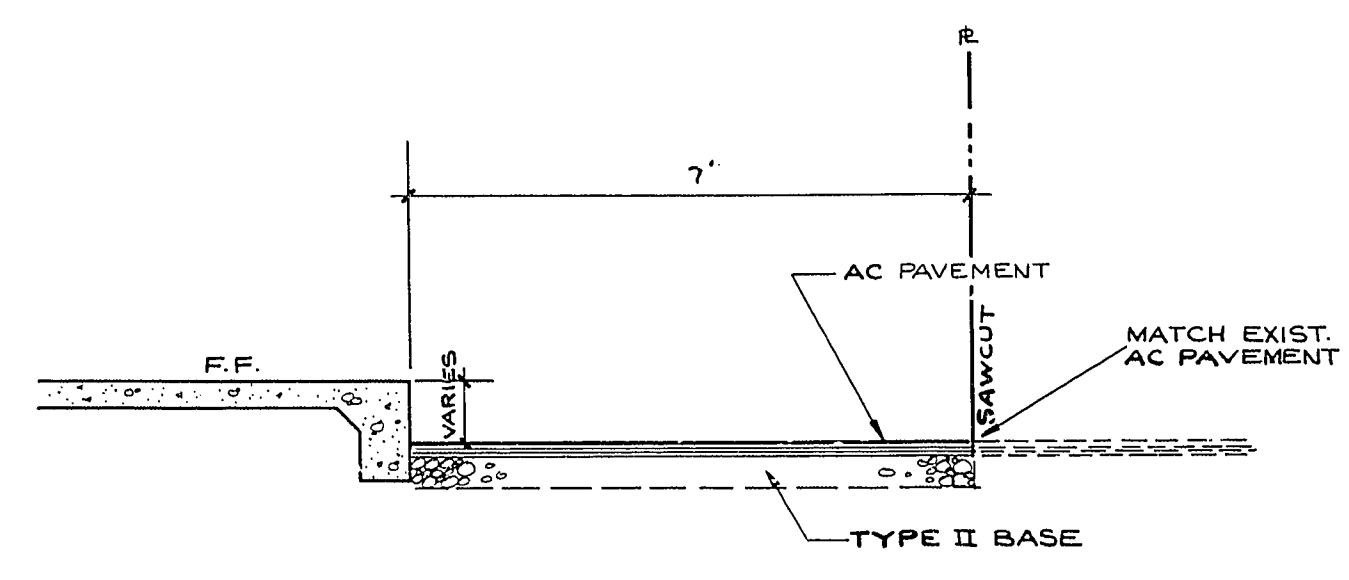
C NO SCALE



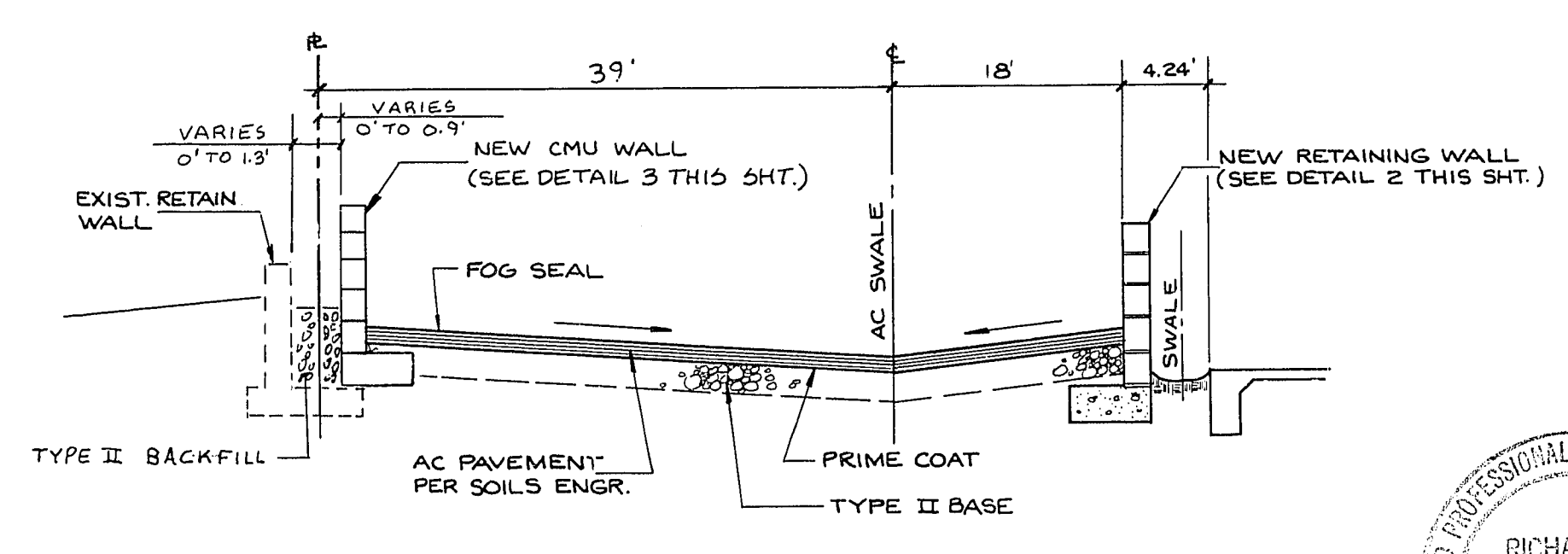
A NO SCALE



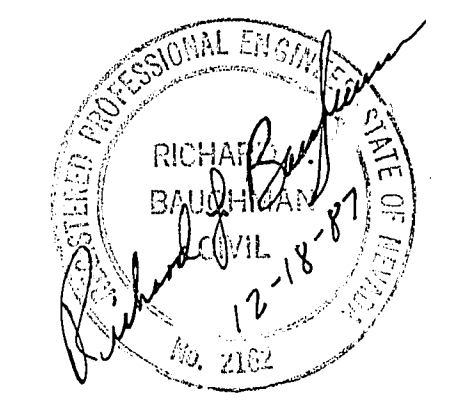
E NO SCALE



D NO SCALE



B NO SCALE



| | | |
|----------------|---------------|--|
| APPROVED | REVISIONS | S & W OFFICE BLDG. |
| DATE NO. | | |
| DATE OCT. 1987 | PREPARED FOR: | BAUGHMAN & TURNER MINING ENGINEERS LAND SURVEYORS LAS VEGAS, NEVADA 702-870-8771 |
| DESIGN JWL | DESIGNED BY: | |
| DRAWN RAJ | DRAWN BY: | |
| CHECK JWL | CHECK BY: | |
| SCALE NO SCALE | | SECTION 8, TOWNSHIP 21 SOUTH, RANGE 41 EAST, M.D.B. & M. NEVADA CLARK COUNTY CITY OF LAS VEGAS |
| | | SHEET 4 OF 4 PROJ. NO. |

5-3-11

107-V1548