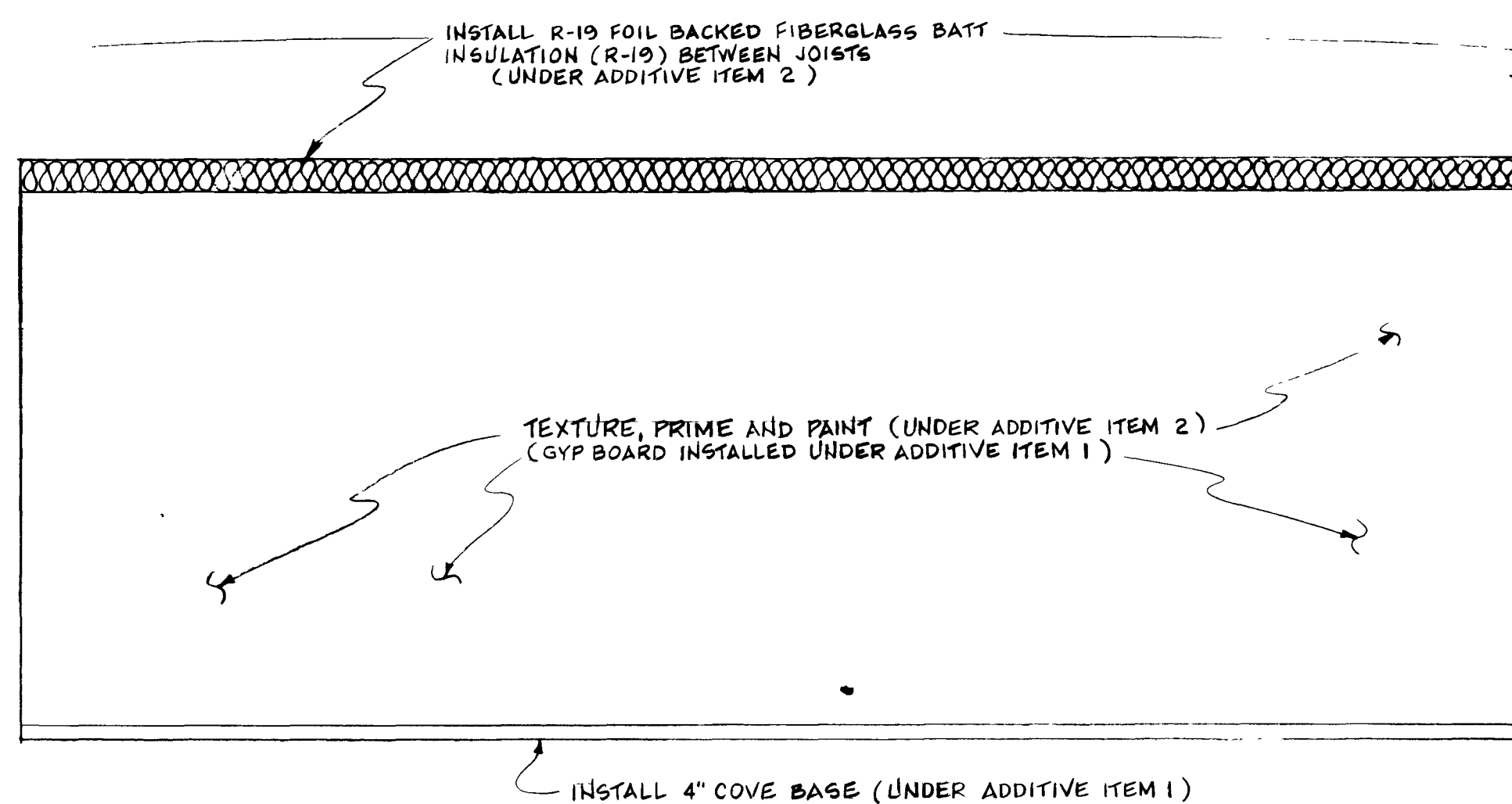
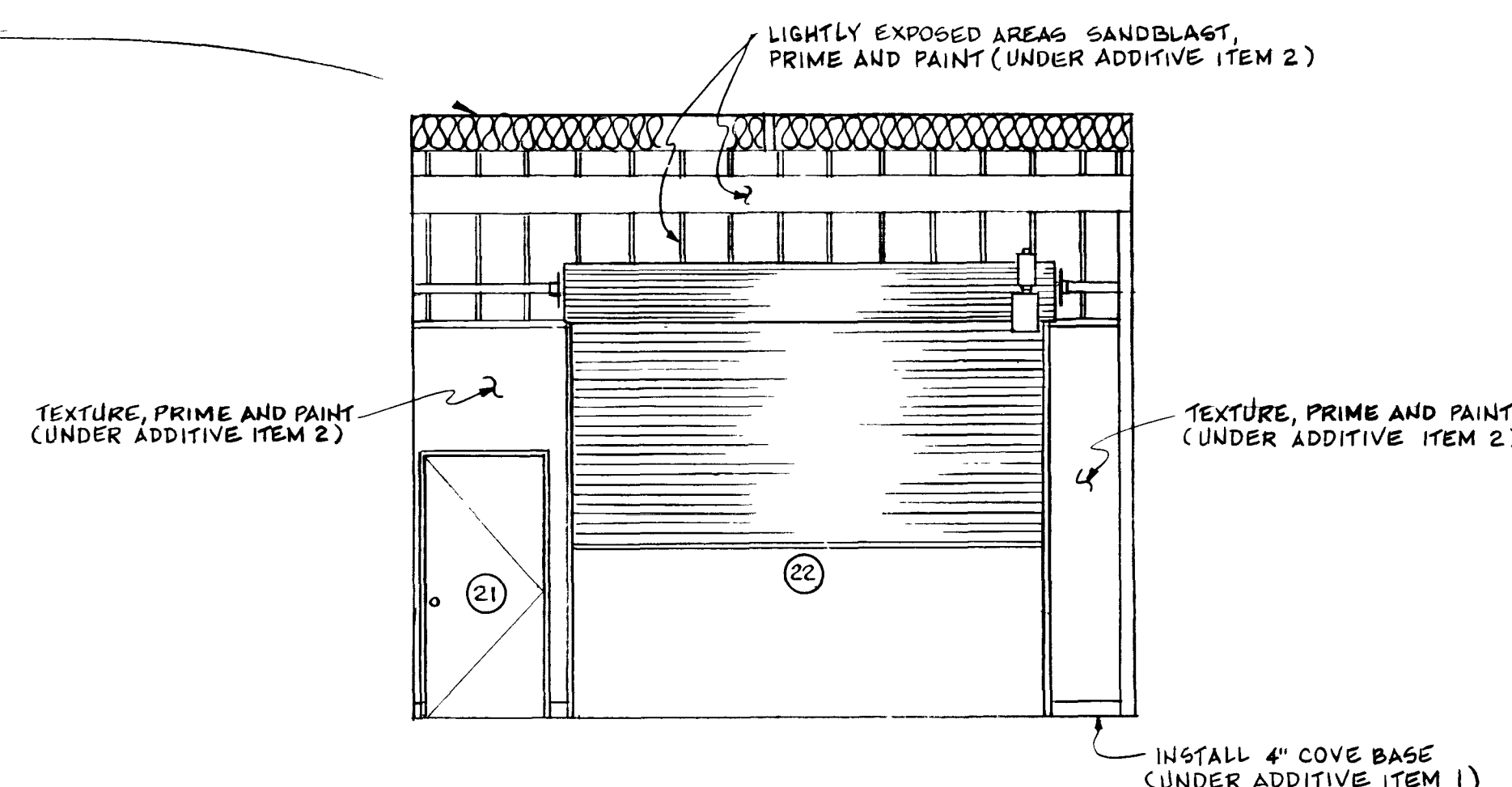


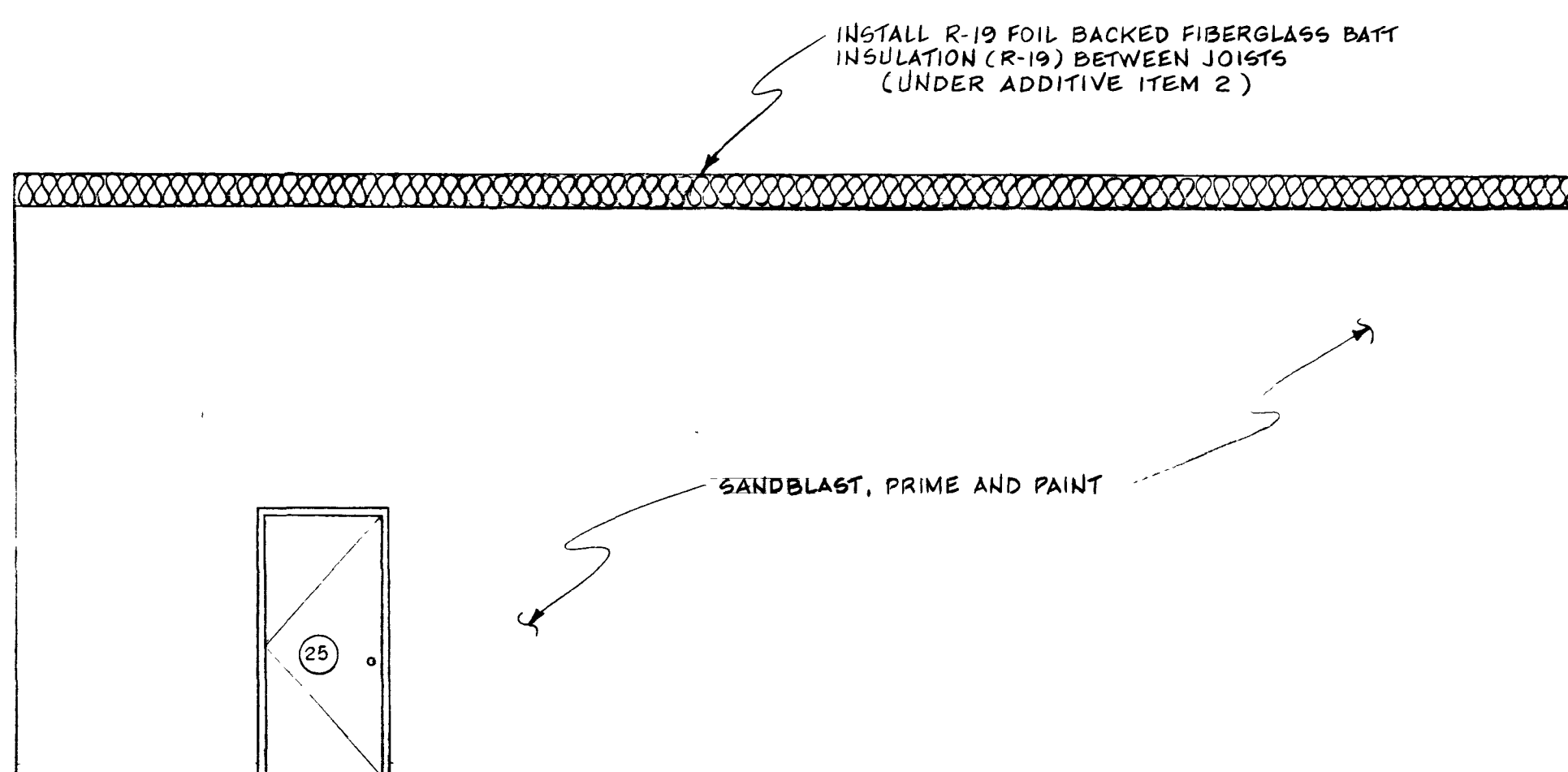
ROOM 17 EAST
ADDITIVE ITEM #1



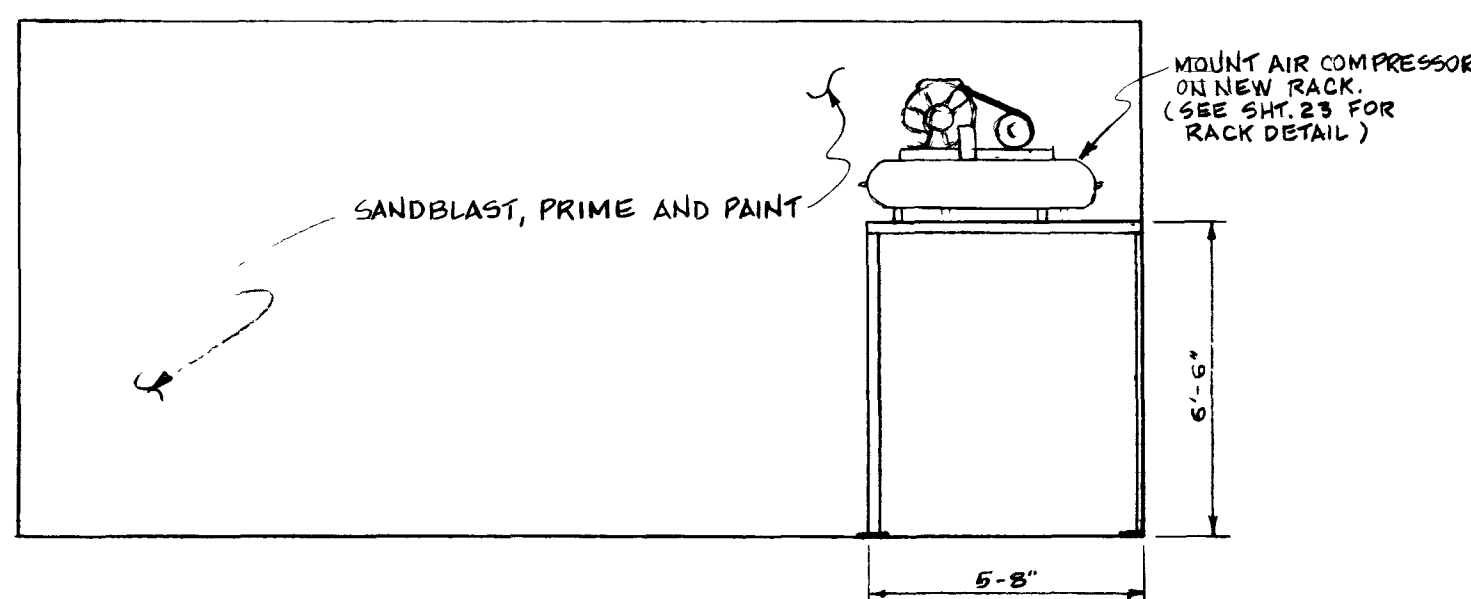
ROOM 17 SOUTH
ADDITIVE ITEM #2 & 1



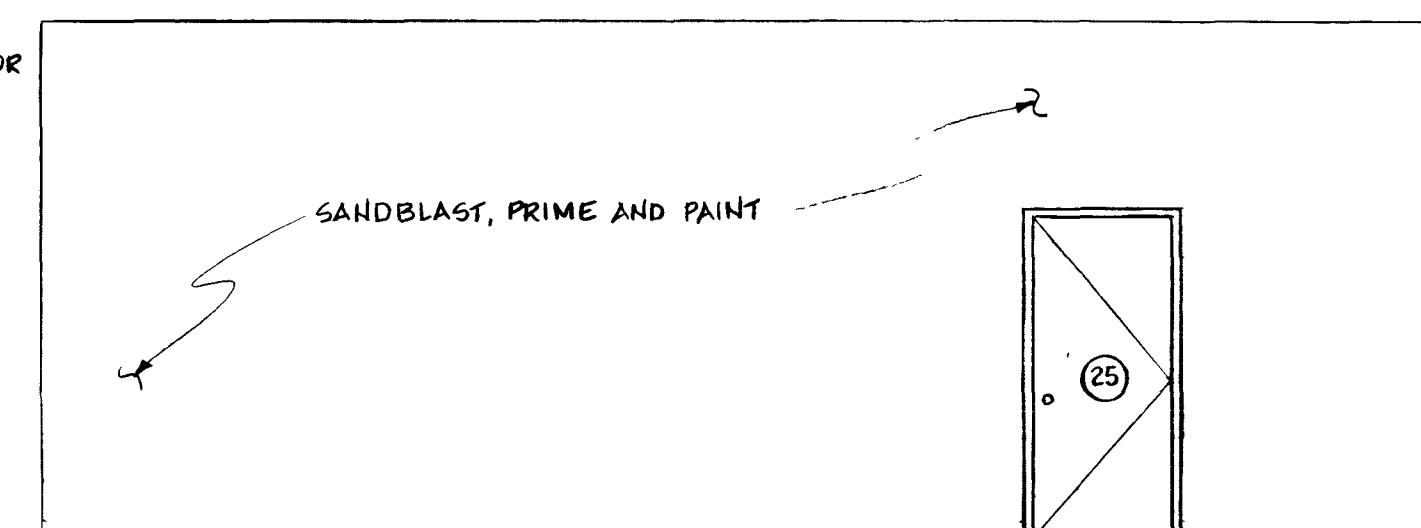
ROOM 17 WEST
ADDITIVE ITEM #2 & 1



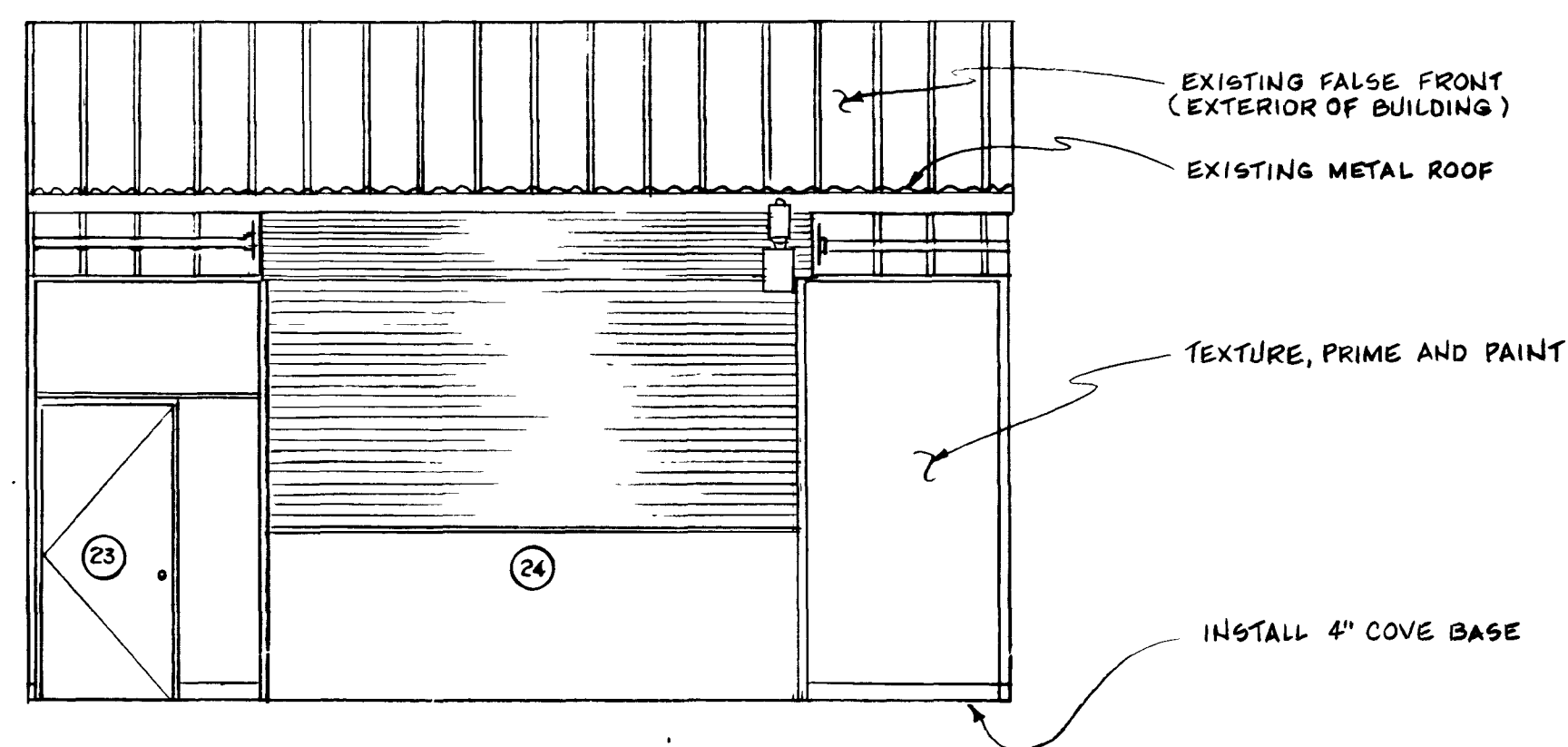
ROOM 17 NORTH
ADDITIVE ITEM #2



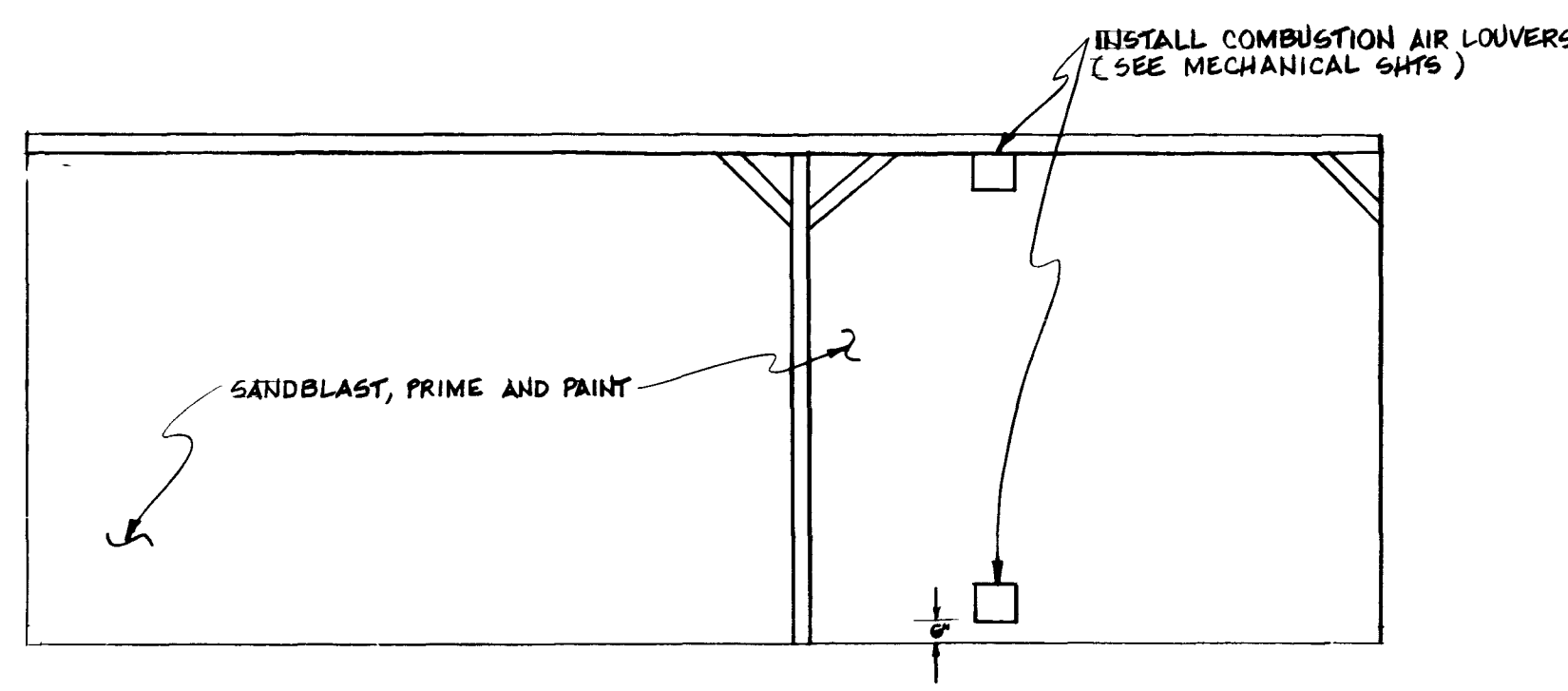
ROOM 18 EAST
ADDITIVE ITEM #2



ROOM 18 SOUTH
ADDITIVE ITEM #2



ROOM 18 WEST
ADDITIVE ITEM #2

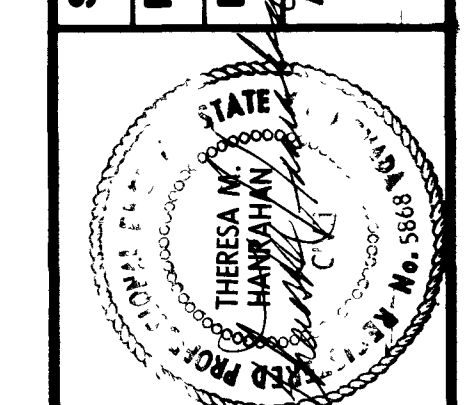


ROOM 18 NORTH
ADDITIVE ITEM #2

CONTRACT
DRAWING
JAN 12 2004

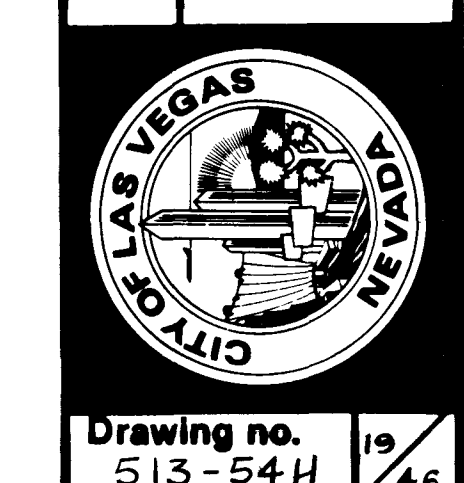
LEGEND	
○	DOOR NUMBER
◊	WINDOW NUMBER
□	ROOM NUMBER

Scale (H)	Scale (V)	Date	Design by	Approved by	Date
1/4" = 1'-0"	W.U. 7009	AUG. 1983	N. R. HAMP	JORMA GOMEZ	
Fid. bk. no.					



Department of Public Services
Engineering Design Division
CONSTRUCTION ROOM
ELEVATIONS

RENOVATE BUILDING AT
300 LAS VEGAS BLVD. N.



Drawing no. 513-54H 19/46

