

DESIGNED BY: GJR DRAWN BY: SWM CHD BY: [ ]  
 JOB NUMBER: 101-01-963 DATE: 1-22-97  
 REVISION: [ ]  
 REV. WET TAP LOCATION  
 REV. MEDIAN OPENING

**L. R. NELSON CONSULTING ENGINEERS, INC.**  
 • STRUCTURAL  
 • CIVIL  
 • SURVEY

3035 East Patrick Lane  
 Suite 9  
 Las Vegas, Nevada 89120

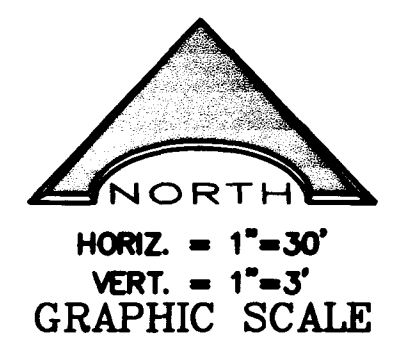
(702) 798-7978  
 (702) 451-2296 FAX

STREET PLAN & PROFILE  
 LAKE MEAD BOULEVARD  
**WALGREENS**  
**LAKE MEAD & DEL WEBB**  
 CAP II PETERSON PROPERTIES

NEVADA

SHEET NUMBER  
**2**  
 OF 2 SHEETS  
 161-014-963

107-V2680



BACK OF CURB CURVE DATA

CURVE	DELTA	RADIUS	LENGTH	TANGENT
C1	87°12'40"	15.00'	22.83'	14.29'
C2	90°20'51"	25.00'	39.42'	23.15'
C3	02°00'51"	2047.30'	71.97'	35.99'
C4	89°09'10"	15.00'	23.34'	14.78'
C5	88°52'49"	25.00'	38.78'	24.52'
C6	10°43'41"	250.00'	46.81'	23.47'
C7	13°38'20"	250.00'	59.51'	29.90'
C8	01°50'51"	2001.83'	69.79'	34.90'
C9	180°00'00"	3.50'	10.99'	INF.
C10	180°00'00"	3.50'	27.80'	INF.
C11	06°12'52"	1991.15'	215.97'	108.09'
C12	02°37'50"	2008.85'	92.23'	48.12'

**FIRE HYDRANT AND LATERAL ABANDONMENT**

EXISTING LATERAL TO BE ABANDONED

WHERE SHOWN ON THE DRAWING(S), THE CONTRACTOR SHALL ABANDON THE EXISTING FIRE HYDRANT BY REMOVING BOTH THE UPPER AND LOWER BARRELS OF THE FIRE HYDRANT SO THAT NO PORTION OF THE REMAINING FIRE HYDRANT ASSEMBLY IS CLOSER THAN TWO (2) FEET TO THE EXISTING GRADE. EXISTING HYDRANT SHALL BE DELIVERED TO THE DISTRICT. THE EXISTING VALVE SHALL BE ABANDONED IN A CLOSED POSITION AND A MINIMUM OF THE TOP 12" OF THE VALVE BOX REMOVED. THE REMAINING PORTION OF THE VALVE BOX SHALL BE FILLED WITH CONCRETE HAVING A COMPRESSIVE STRENGTH OF AT LEAST 2,000 PSI. THE LATERAL SHALL BE CUT AND CAPPED WHERE INDICATED. WHERE A JOINT OR COUPLING IN THE EXISTING PIPE IS UNCOVERED AT THE CUT AND CAP LOCATION, THE INSTALLATION OF A PLUG MAY BE PERMITTED, WITH DISTRICT APPROVAL. A CONCRETE THRUST BLOCK SHALL BE INSTALLED AT ALL CUT AND CAP LOCATIONS IN ACCORDANCE WITH THE PROVISIONS OF UDACS PLATE NO. 5. THE EXISTING CONCRETE FIRE HYDRANT PAD SHALL BE REMOVED.

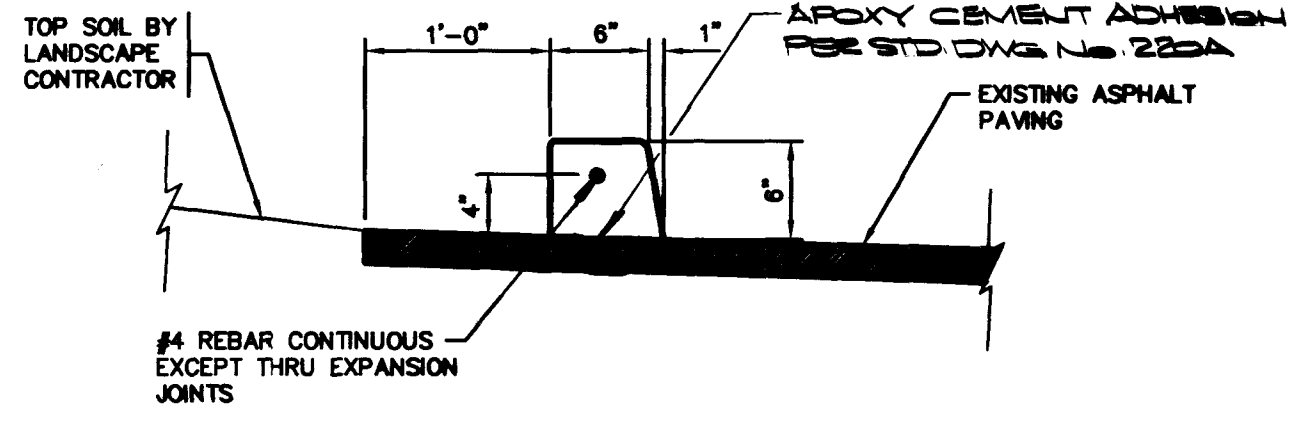
EXISTING SERVICE(S) - 2" AND SMALLER ABANDONED (METER #195018)

THE CONTRACTOR SHALL NOTIFY THE INSPECTION DIVISION AT THE LVVWD (702-258-3227) 48 HOURS PRIOR TO THE REQUESTED REMOVAL TIME TO ALLOW THE DISTRICT TO TAKE THE FINAL METER READING OF THE METER. AFTER THE FINAL READING, THE CONTRACTOR MAY THEN BEGIN REMOVAL PROCEDURES FOR THE AFFECTED SERVICE AS FOLLOWS:

EXISTING SERVICE LATERALS THAT ARE TO BE ABANDONED FROM THE EXISTING WATER MAIN SHALL HAVE THE CORPORATION STOP TURNED OFF AT THE MAIN. THE LATERAL CUT 6" DOWNSTREAM FROM THE CORPORATION STOP AND CUT AGAIN 6" DOWNSTREAM FROM THE FIRST CUT SUCH THAT A 6" PIECE OF THE EXISTING SERVICE LATERAL IS REMOVED. IF THE CORPORATION STOP IS DAMAGED BEYOND REPAIR OR PULLED FROM THE EXISTING WATER MAIN, THE MAIN SHALL BE REPAIRED AT THE CONTRACTOR'S EXPENSE, IN A MANNER APPROVED BY THE LVVWD. IF THE CORPORATION STOP IS NOT WATER TIGHT, THE CONTRACTOR SHALL NOTIFY LVVWD COMMUNICATION SUPPORT CENTER (702-258-7171) FOR FURTHER DIRECTION. THE CONTRACTOR SHALL REMOVE THE EXISTING SERVICE METER BOX AND APPURTENANCES, FILL AND GRADE ANY AND ALL RESULTING VOIDS AND REPLACE OR RESTORE TO ORIGINAL CONDITIONS OR BETTER, ALL LANDSCAPING, IRRIGATION SYSTEMS, CONCRETE, SIDEWALKS, ASPHALT, OR ANY OTHER ITEMS DAMAGED OR REMOVED DURING THE REMOVAL OF THE EXISTING SERVICE METER BOX.

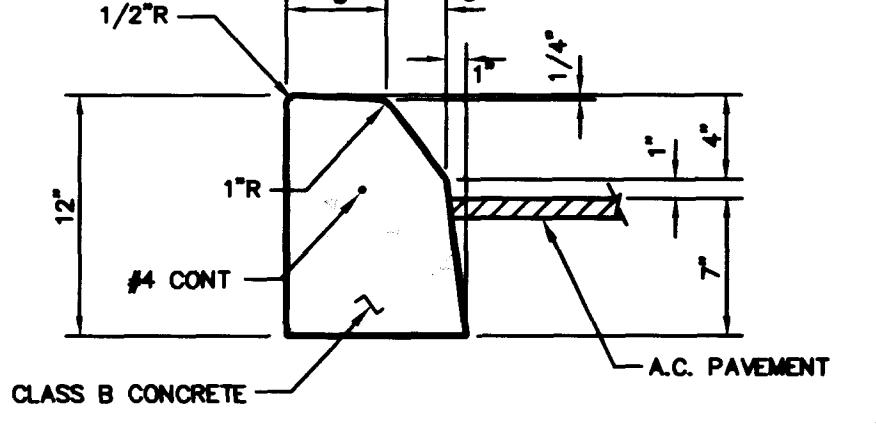
INSTALLATION OF FIRE HYDRANT

FIRE HYDRANT(S) TO BE INSTALLED IN ACCORDANCE WITH THE UDACS STANDARD PLATE NO. 7.



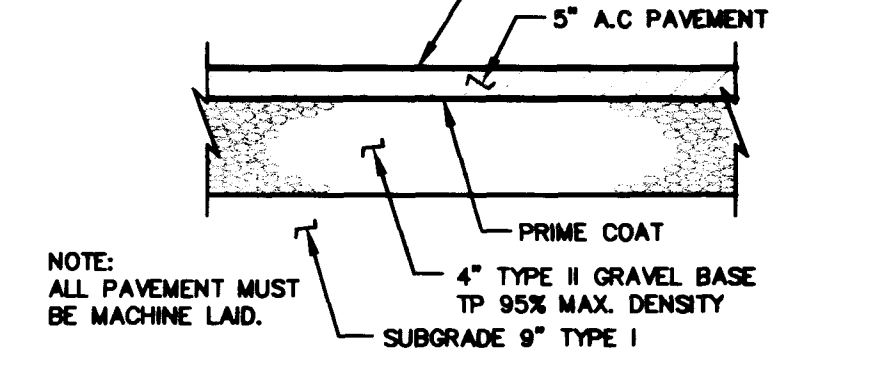
**"A" TACK-ON CURB OPTION**

NO SCALE



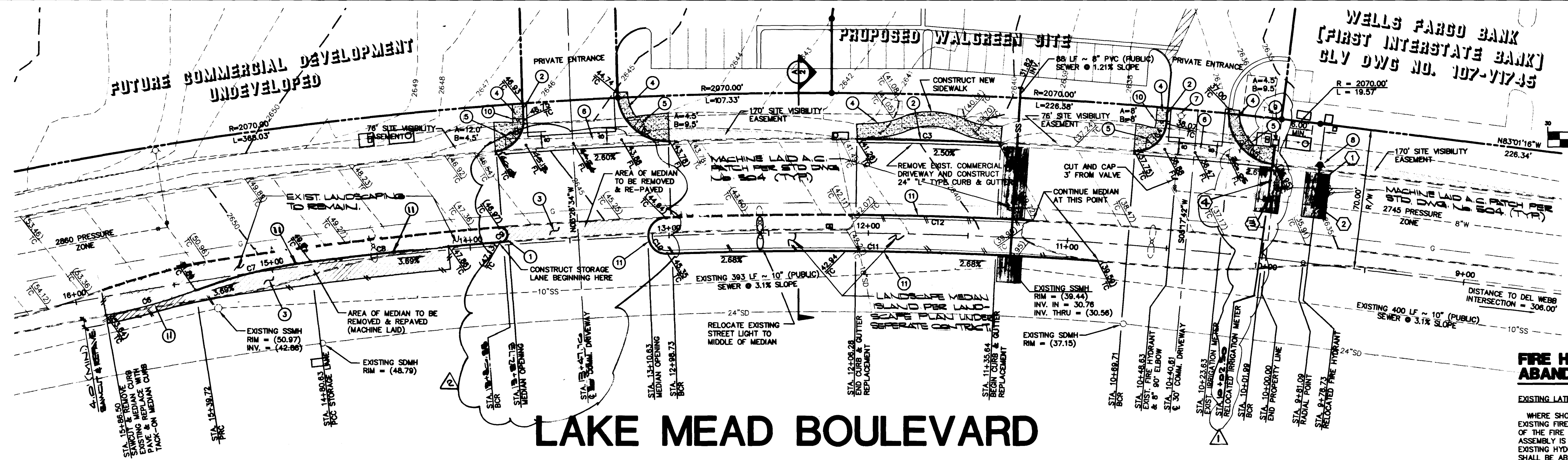
**MEDIAN - "A" TYPE CURB**

NO SCALE



**A.C. PAVEMENT SECTION**

NOT TO SCALE (REFER TO C.L.V. DRAWING NO. 107-V1978)

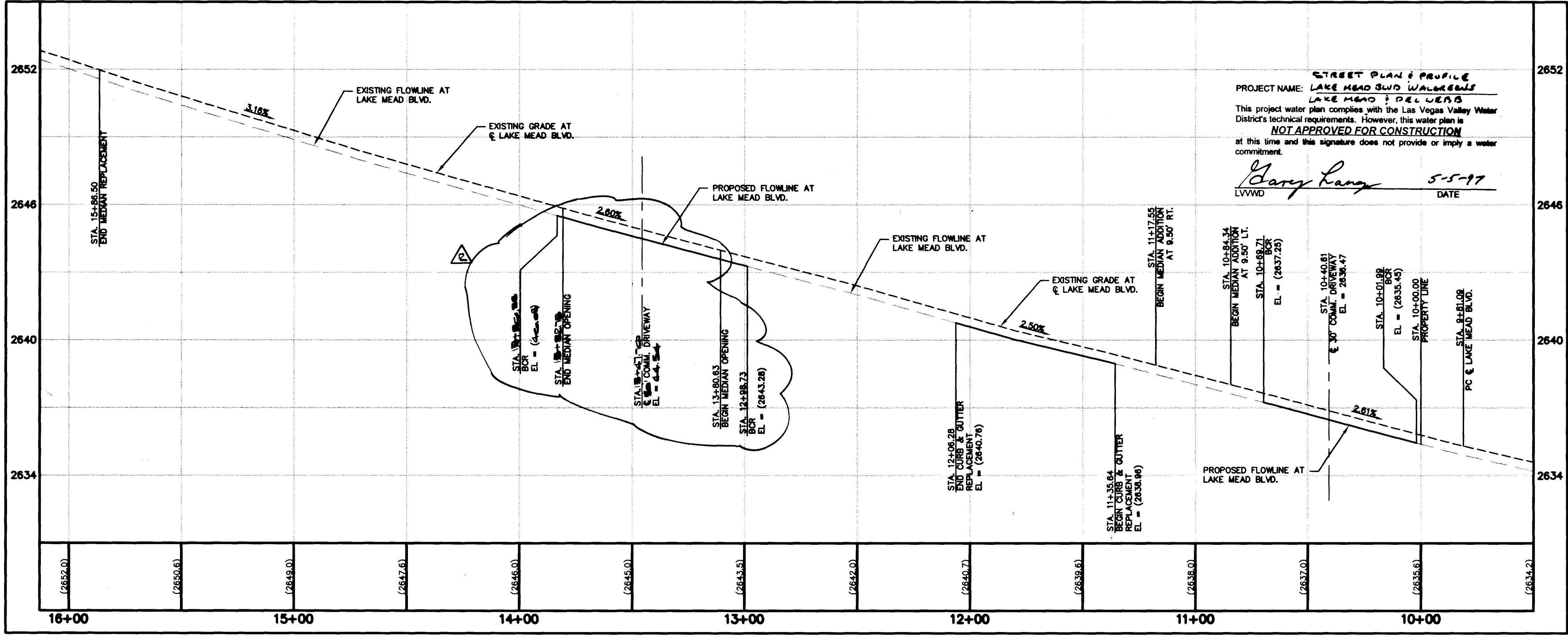


**LAKE MEAD BOULEVARD**

PROJECT NAME: STREET PLAN & PROFILE  
 LAKE MEAD BOULEVARD  
 LAKE MEAD & DEL WEBB

This project water plan complies with the Las Vegas Valley Water District's technical requirements. However, this water plan is **NOT APPROVED FOR CONSTRUCTION** at this time and this signature does not provide or imply a water commitment.

*Gary Lang* 5-5-97  
 LVVWD DATE



**CONSTRUCTION NOTES**

- CONSTRUCT "A" TYPE MEDIAN CURB PER DETAIL THIS SHEET.
- CONSTRUCT "L" TYPE CURB & GUTTER PER STD. DWG. NO. 216.
- CONSTRUCT 5" A.C. PAVEMENT PER DETAIL THIS SHEET.
- CONSTRUCT CONCRETE SIDEWALK AREAS PER STD. DWG. NO. 234.
- CONSTRUCT HANDICAP RAMP PER STD. DWG. NO. 235, CASE 1, A & B AS NOTED.
- CONSTRUCT 8" WIDE VALLEY GUTTER PER STD. DWG. NO. 228.
- ABANDON EXISTING FIRE HYDRANT AS SHOWN.
- INSTALL FIRE HYDRANT ASSEMBLY AS SHOWN.
- RELOCATE 1 1/2" RPPA (METER #195018).
- INSTALL STOP SIGN - R1-1.
- CONSTRUCT TACK-ON MEDIAN WHERE PAVEMENT EXISTS, SEE DETAIL THIS SHEET.

**ESTIMATE OF QUANTITIES**

1) 6" PVC WATER SERVICE	52 LF
2) RELOCATED FIRE HYDRANT ASSEMBLY (INCL. 6" GATE VALVE, 8" Tee)	2 EA.
3) 1 1/2" WET TAP	1 EA.
4) 1 1/2" SERVICE LST.	30 LF.

**LEGEND AND ABBREVIATIONS**

- XXX XX PROPOSED ELEVATION
- (XXX) XX EXISTING ELEVATION
- EXISTING CONTOUR
- PROPOSED CONTOUR
- AC BLOCK WALL
- TC ASPHALT CONCRETE
- EL TOP OF CURB
- FL ELEVATION
- FF FLOW LINE
- FF FINISH FLOOR
- LIMIT OF SIGHTING

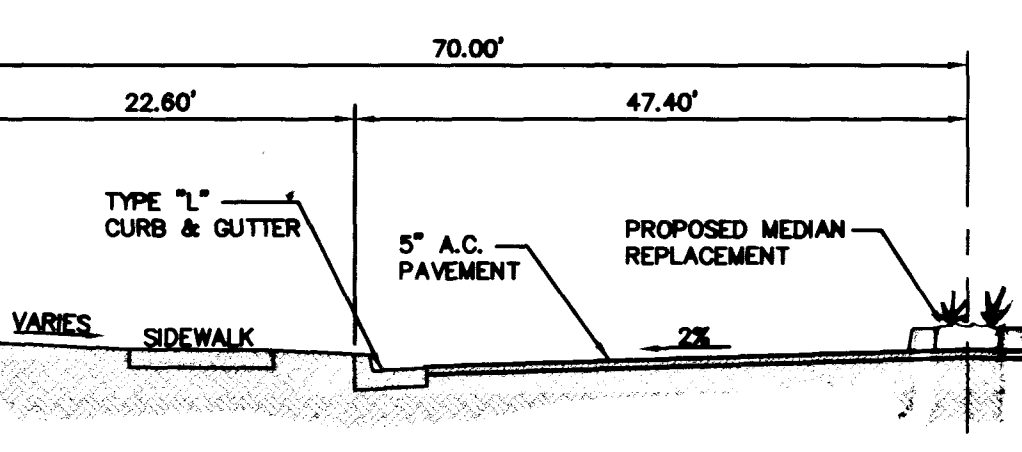
**NOTE**

LAS VEGAS VALLEY WATER DISTRICT NOTES ARE LOCATED ON THE COVER SHEET OF THIS PACKAGE.

**REDUCED PRESSURE PRINCIPLE ASSEMBLY - (0) 1 1/2"**

APPROVED REDUCED PRESSURE ASSEMBLY(S) SHALL BE INSTALLED PER THE UDACS PLATE NO. 11A. NO WATER SHALL BE TAKEN FROM A SERVICE REQUIRING BACKFLOW PREVENTION UNTIL THE REDUCED PRESSURE PRINCIPLE ASSEMBLY HAS BEEN SUCCESSFULLY TESTED BY THE LVVWD.

ANY BLOCK WALL OR OTHER FENCE MATERIAL SHALL BE DESIGNED AND CONSTRUCTED AROUND THE OUTSIDE OF THE EASEMENT(S), TO ALLOW THE DISTRICT DIRECT ACCESS FROM THE ADJACENT RIGHT-OF-WAY.



**TYPICAL LAKE MEAD SECTION**

NOT TO SCALE

**DISCLAIMER NOTE**

UTILITY LOCATIONS SHOWN HEREON ARE APPROXIMATE ONLY. IT SHALL BE THE CONTRACTOR'S RESPONSIBILITY TO DETERMINE THE EXACT HORIZONTAL AND VERTICAL LOCATION OF ALL EXISTING UNDERGROUND UTILITIES PRIOR TO COMMENCING CONSTRUCTION. NO REPRESENTATION IS MADE THAT ALL EXISTING UTILITIES ARE SHOWN HEREON. THE ENGINEER ASSUMES NO RESPONSIBILITY FOR UTILITIES NOT SHOWN OR UTILITIES NOT SHOWN IN THEIR PROPER LOCATION.

Call before you Dig  
 1-800-227-2600  
 UNDERGROUND SERVICE (US)

**APPROVALS**

*[Signature]* 5/16/97  
 LAS VEGAS VALLEY WATER DISTRICT DATE

*[Signature]* 5-5-97  
 C.L.V. FIRE DEPARTMENT DATE

APPROVAL OF THESE PLANS SHALL NOT BE CONSTRUED TO BE A PERMIT FOR, OR AN APPROVAL OF ANY VIOLATION OF ANY OF THE PROVISIONS OF THE STATE OR COUNTY LAWS. FIRE FLOW NA GPM AT 20 P.S.I. RESIDUAL.

DRAWING NAME: MC-PP-DWG LATEST PLOT DATE: 5-5-97

**VICINITY MAP** NO SCALE  
 SECTION 18, TOWNSHIP 20 SOUTH, RANGE 60 EAST, M.D.M.



VOID

