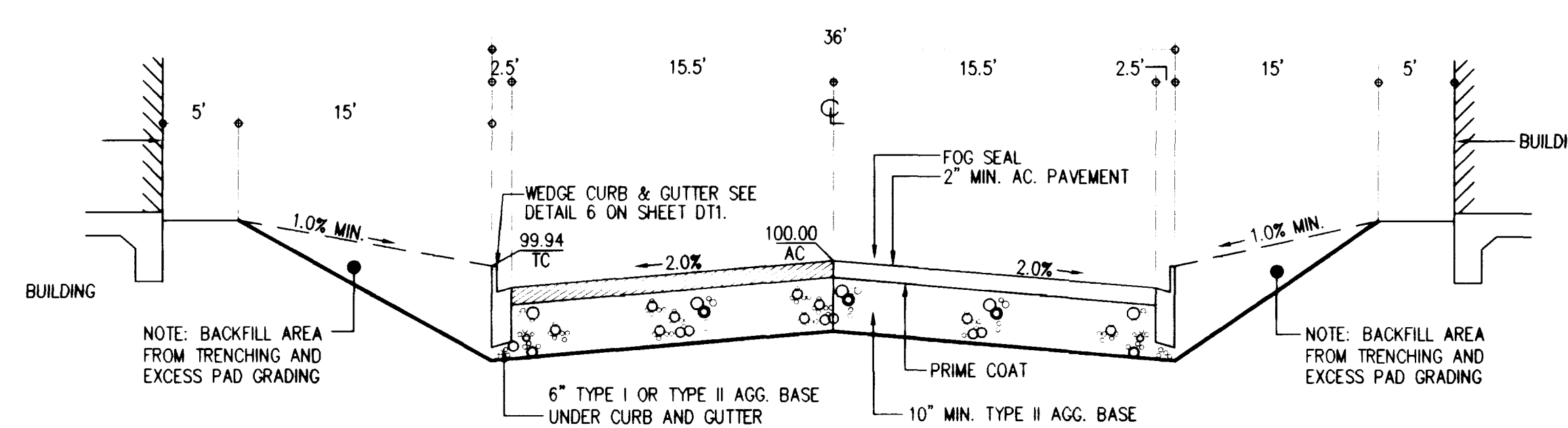
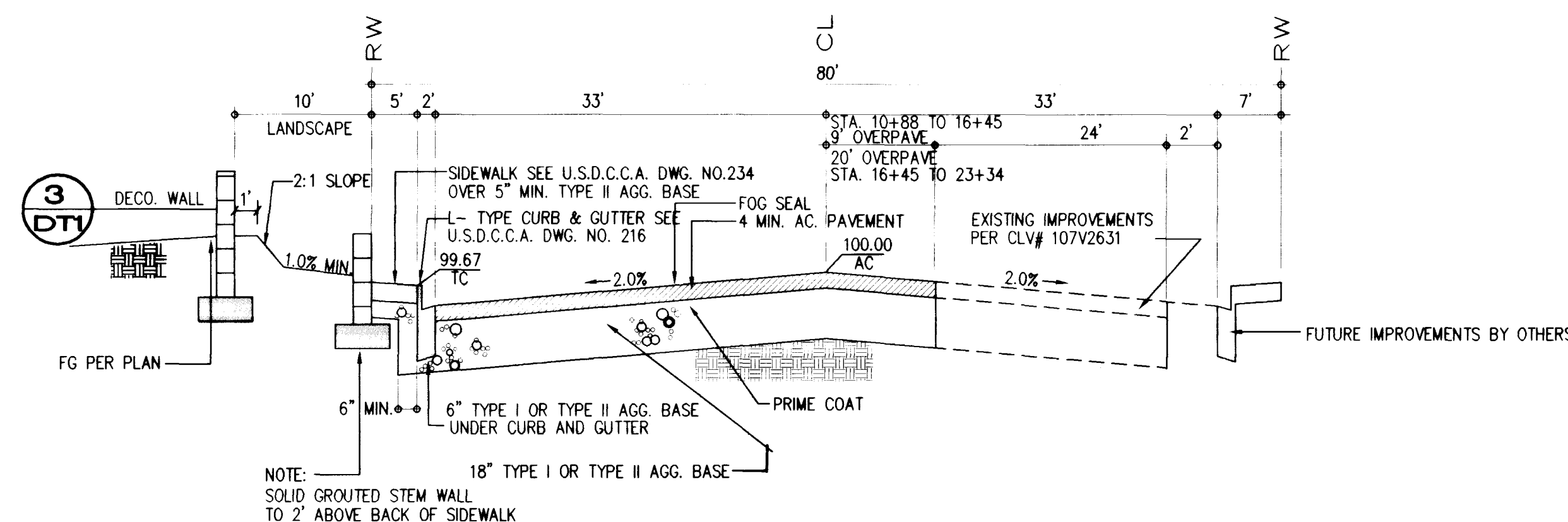


A 100' RW HALF STREET SECTION
 SSS N.T.S. (PUBLIC)

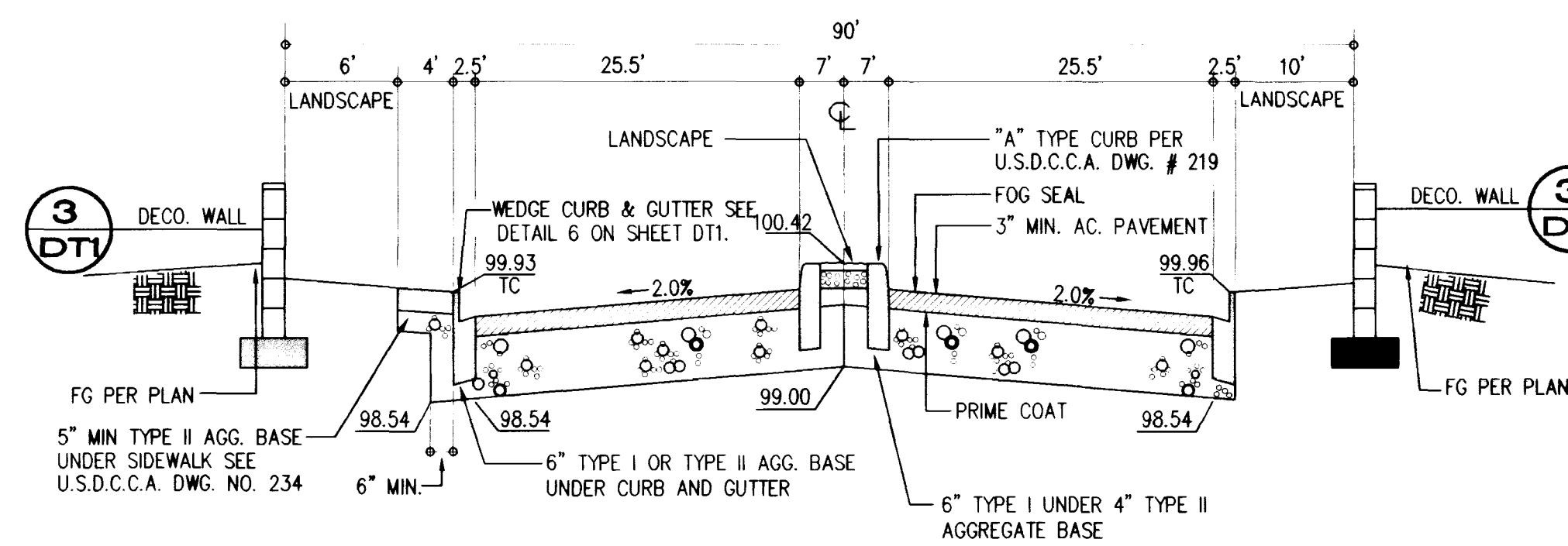
NOTE:
 ALL JONES BLVD. IMPROVEMENTS IN R.O.W. TO BE BUILT BY JONES BLVD.
 R.T.C./SID# 1471 AND 120 SCHEDULED FOR CONSTRUCTION JUNE
 1999 DEVELOPER OF PARADISE FALLS HAS CHOSEN TO CONTRIBUTE
 IN LIEU OF CONSTRUCTING JONES.



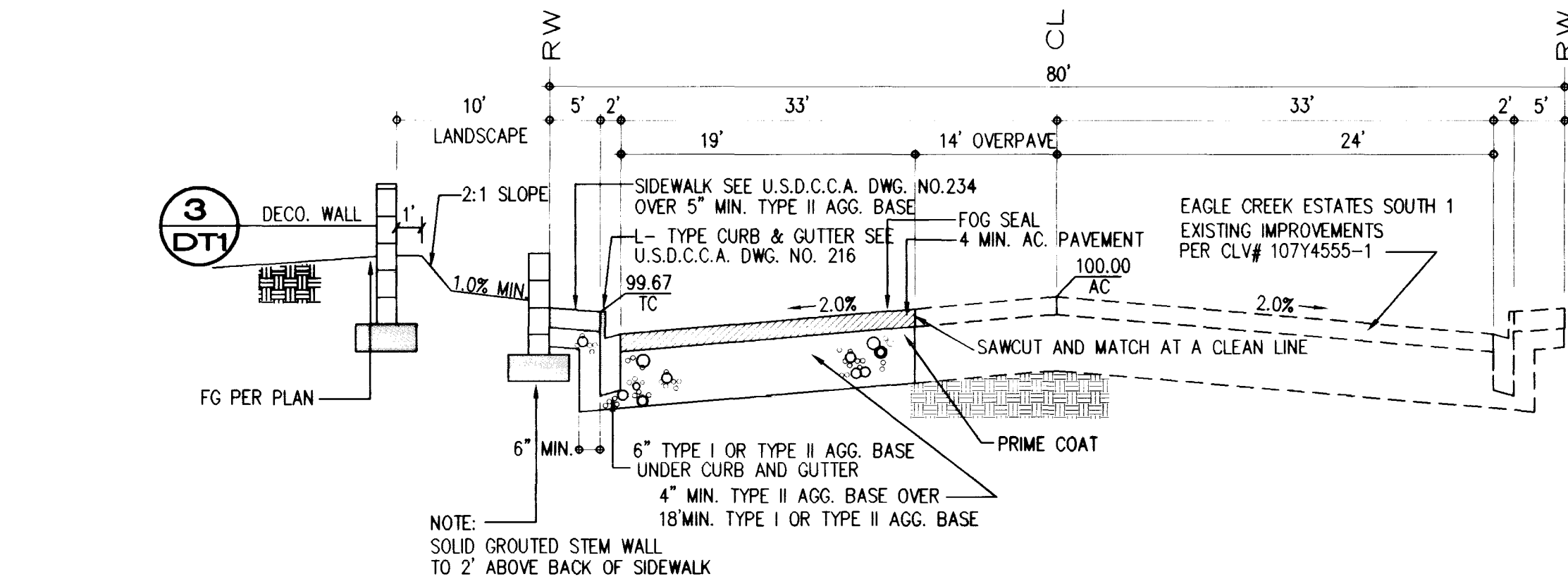
D TYP. 36' PRIVATE STREET SECTION
 SSS N.T.S. (PRIVATE)



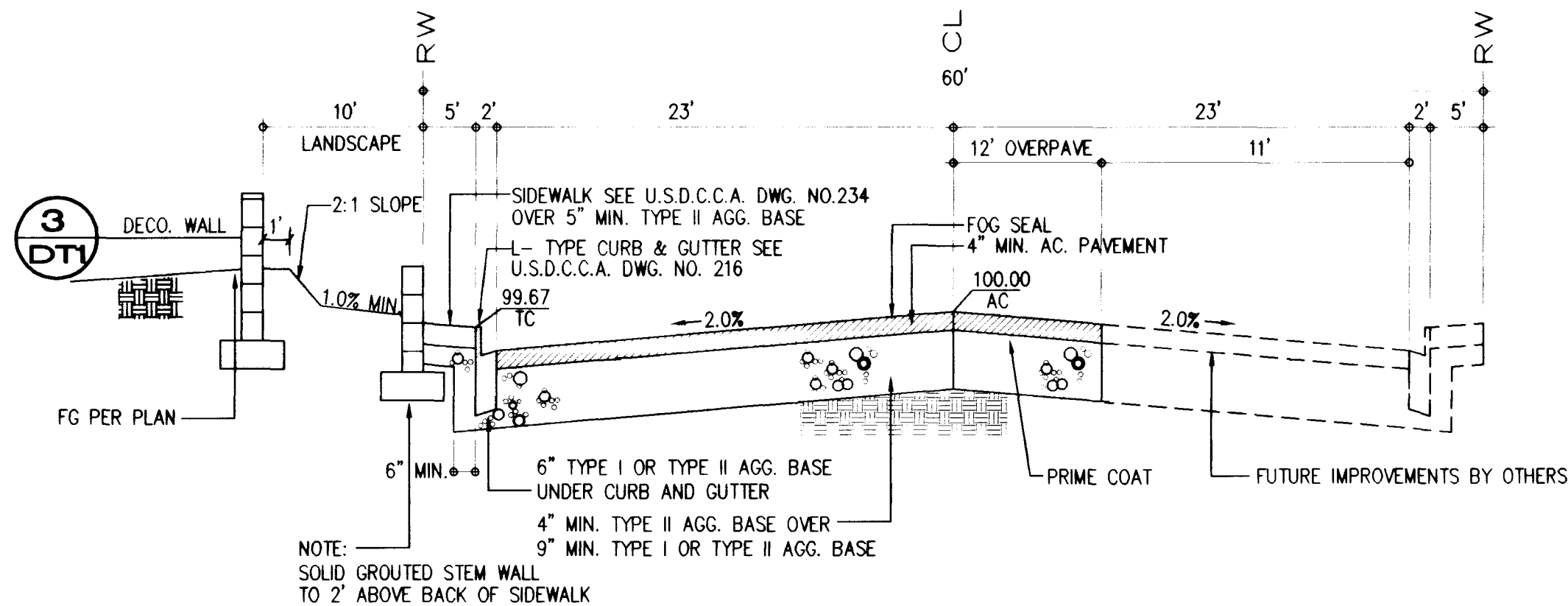
E 80' RW HALF STREET SECTION
 SSS N.T.S. (PUBLIC)
 STA. 10+88 TO STA. 23+34



F PARADISE FALLS (ENTRANCE)
 SSS N.T.S. (PRIVATE)

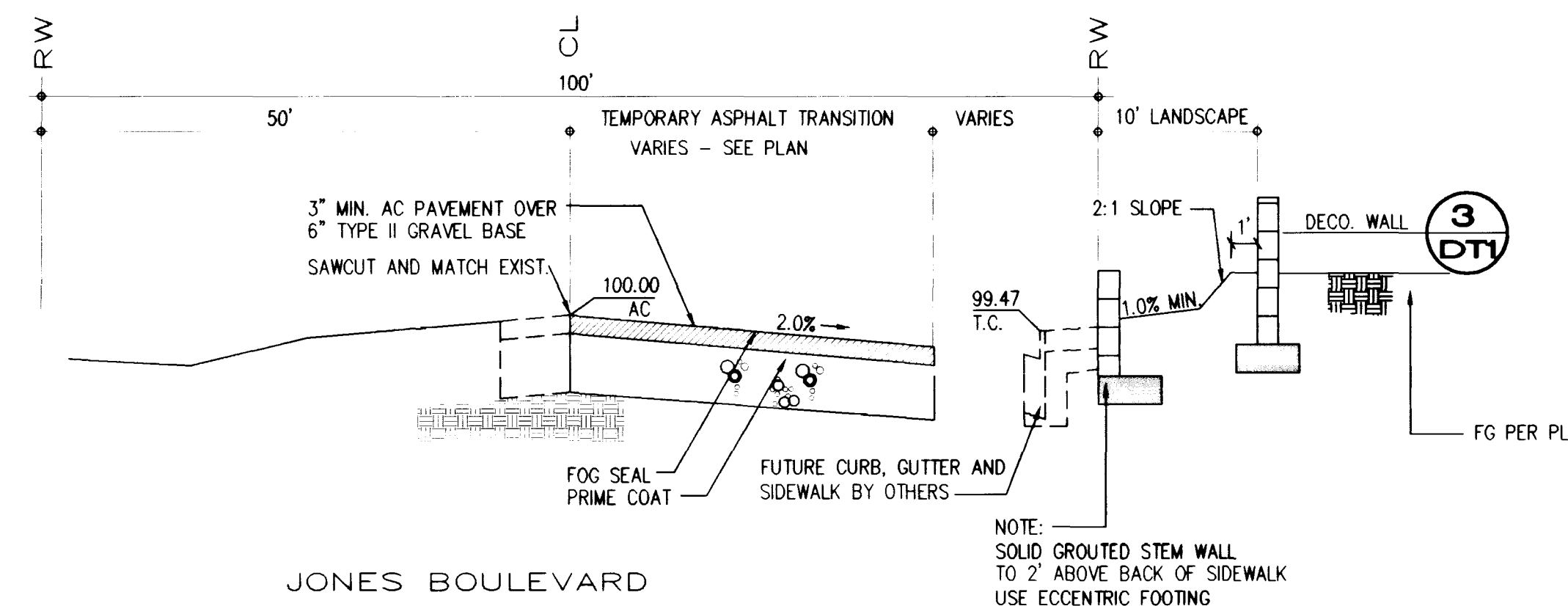


B 80' RW HALF STREET SECTION
 SSS N.T.S. (PUBLIC)
 STA. 23+34 TO STA. 30+06



C 60' RW HALF STREET SECTION
 SSS N.T.S. (PUBLIC)

AZURE DRIVE (TO BE CONSTRUCTED WITH UNITS 3 AND 4)



G 100' RW HALF STREET SECTION
 SSS N.T.S. (PUBLIC)

D. R. HORTON CUSTOM HOMES 2920 N. GREEN VALLEY PKWY. SUITE 111 HENDERSON, NV. 89014 (702) 435-4888, FAX (702) 435-4950		HUNSAKER & ASSOCIATES ENGINEERING SURVEYING 401 N. Buffalo Dr., Suite 100, Las Vegas, Nevada 89108 (702) 242-4200	
STANDARD STREET SECTION		TROPICAL/JONES - UNIT 1 AKA. PARADISE FALLS - UNIT 1 CITY OF LAS VEGAS, NEVADA	
DRAWN BY: P. PARABACH	DESIGNED BY: P. PARABACH	CHECKED BY: A. SALDANO	PROJECT NO. 2291-1
QUALITY CONTROL BY:	QUALITY CONTROL BY:	SCALE: 1" = 1'-0"	SHEET: 22 OF 31
SEAL 		DRAWING NO. 107Y4592-1	

P: 1291-1\DWG\PH1\2291-SSS.DWG Sun Feb 28 17:42:44 1999 SALCDD



JONES BOULEVARD
500' W/2 HALF STREET SECTION
10-22-58

SEE PLAN FOR LOCATION OF
GUTTER AND SIDE GUTTER
AND FOR THE LOCATION OF
THE CURB AND SIDEWALK



TROPICAL PARKWAY
500' W/2 HALF STREET SECTION
10-22-58



JONES BOULEVARD
500' W/2 HALF STREET SECTION
10-22-58



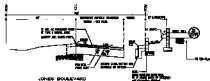
TROPICAL PARKWAY
500' W/2 HALF STREET SECTION
10-22-58



PARKWAY PALLE CONTINUED
10-22-58



AZULE DRIVE (TO BE CONSTRUCTED WITH UNITS 2 AND 4)
500' W/2 HALF STREET SECTION
10-22-58



JONES BOULEVARD
500' W/2 HALF STREET SECTION
10-22-58

D. R. HORTON 1000 S. W. 10th St., Miami, Fla. 1000 S. W. 10th St., Miami, Fla. 1000 S. W. 10th St., Miami, Fla. 1000 S. W. 10th St., Miami, Fla.	
STANDARD STREET SECTION 10-22-58	TROPICAL PARKWAY - UNIT 1 A.S.A. PARKWAY PALLE - UNIT 1 CITY OF LAS VEGAS, NEVADA 10-22-58
SHEET NO. 1 TOTAL SHEETS 1	SCALE 1" = 10'-0"
DATE 10-22-58	DRAWN BY J. H. HORTON
CHECKED BY D. R. HORTON	APPROVED BY D. R. HORTON
888 10-22-58	