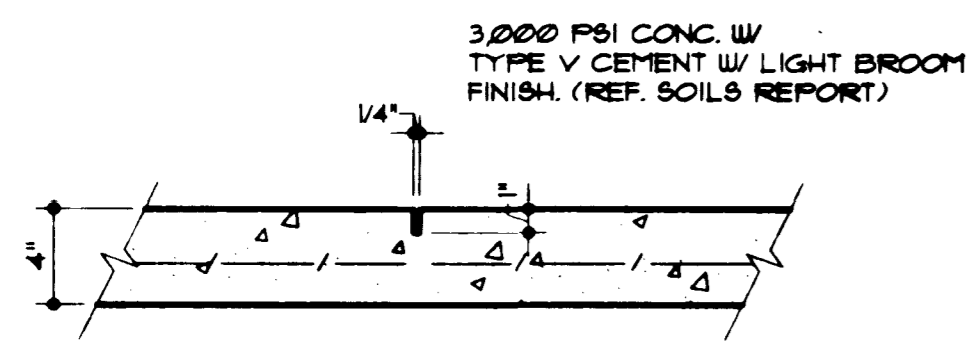
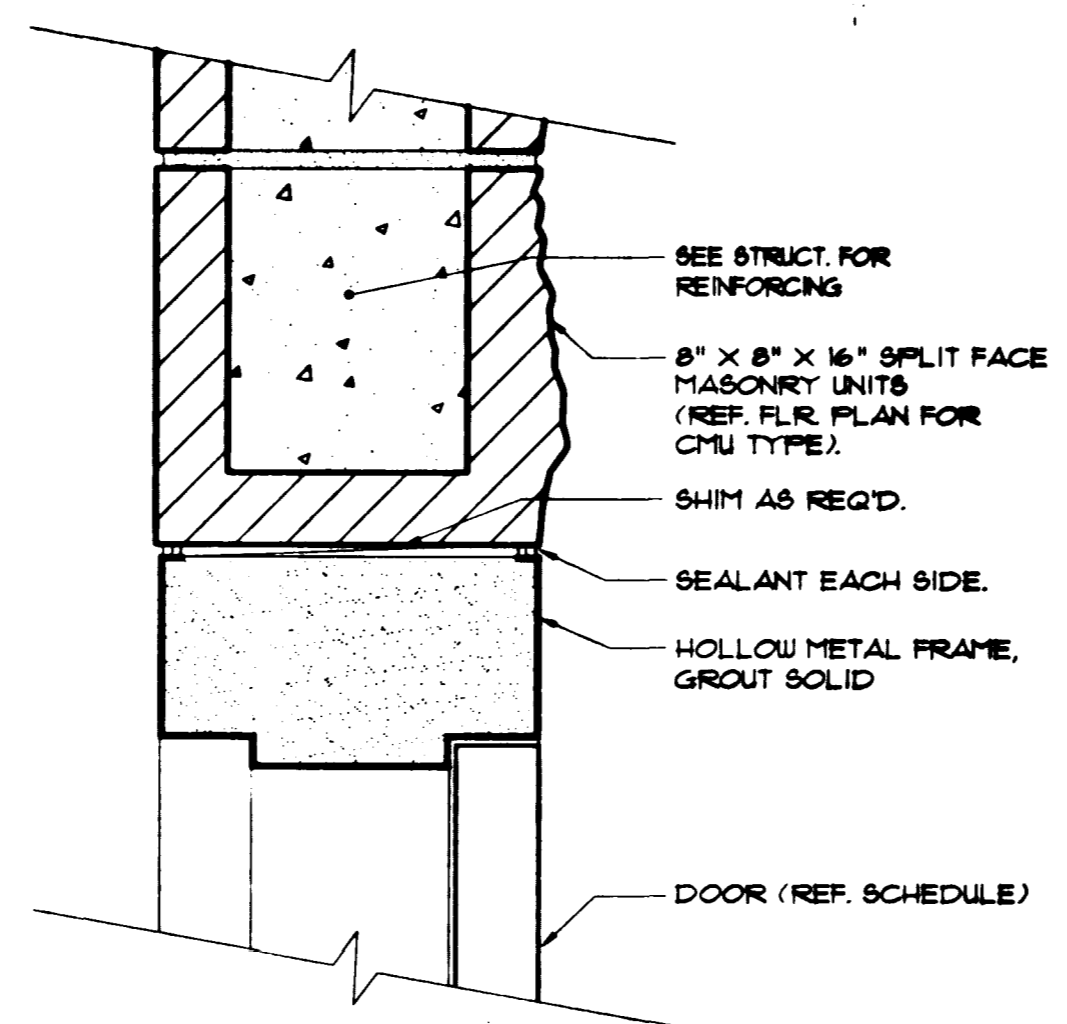


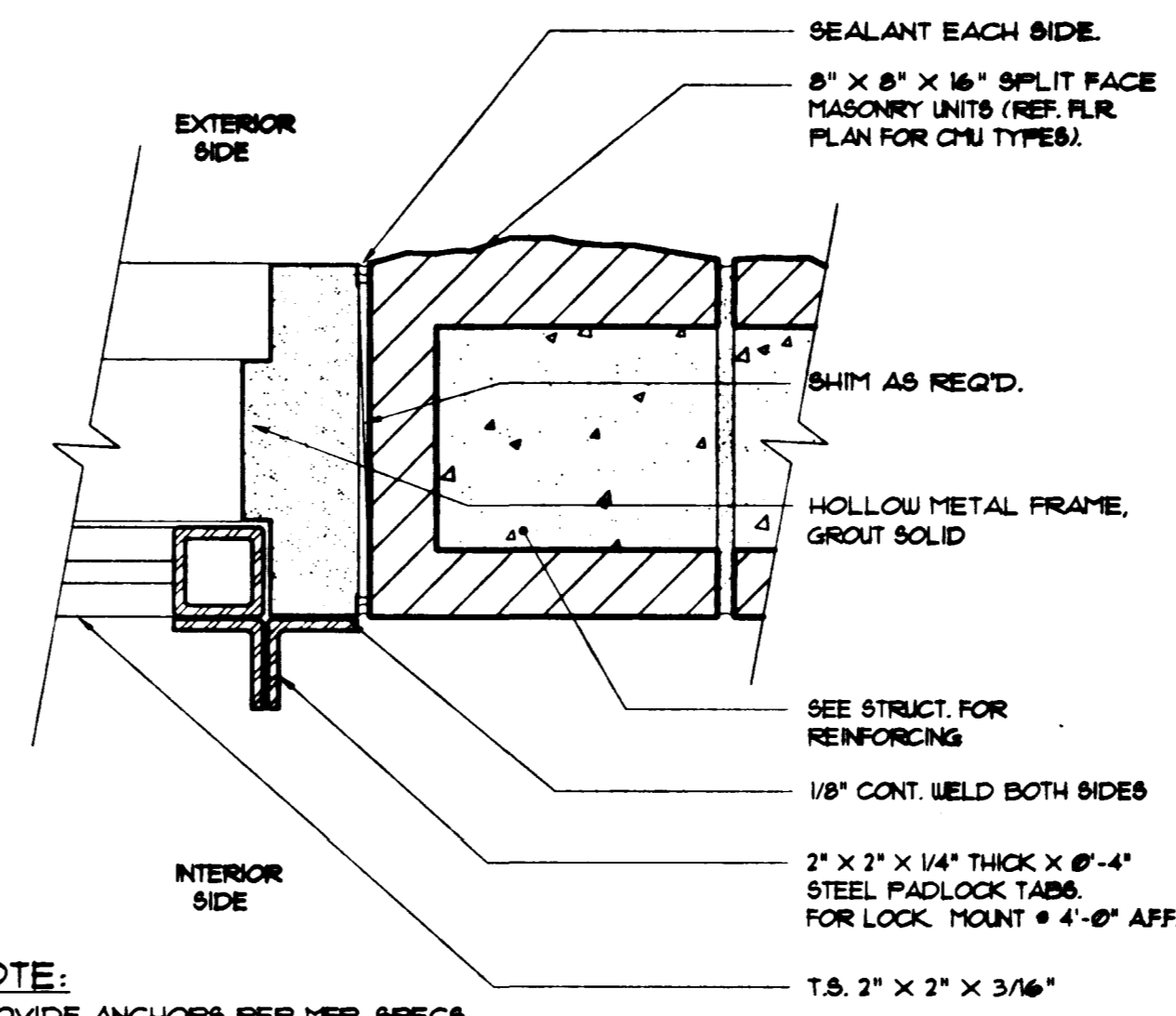
**1 Expansion Joints**  
Scale: 1/2"=1'-0"  
03000-11 AB-01



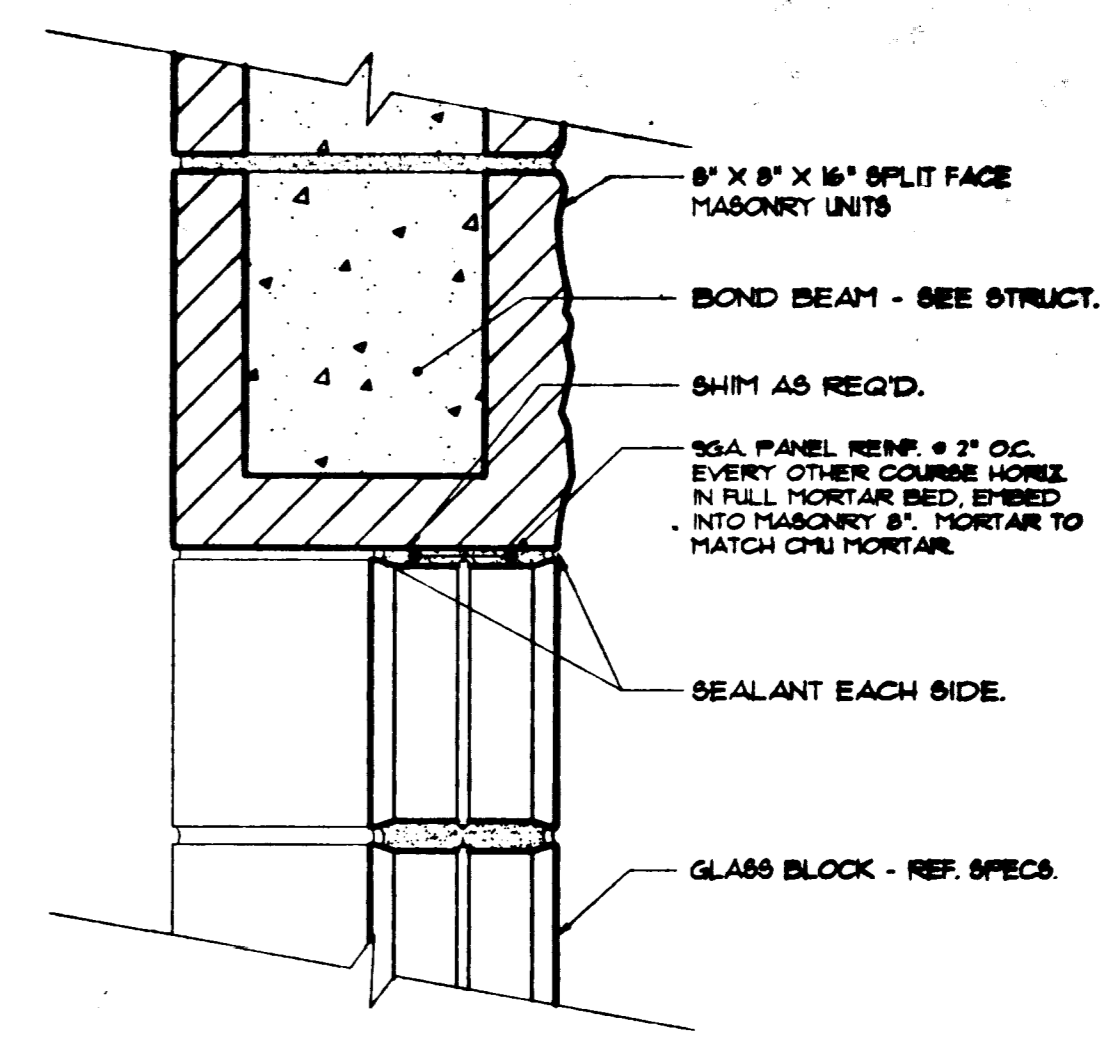
**2 Typical Cracking Control Joints**  
Scale: 1/2"=1'-0"  
03000-12 AB-02



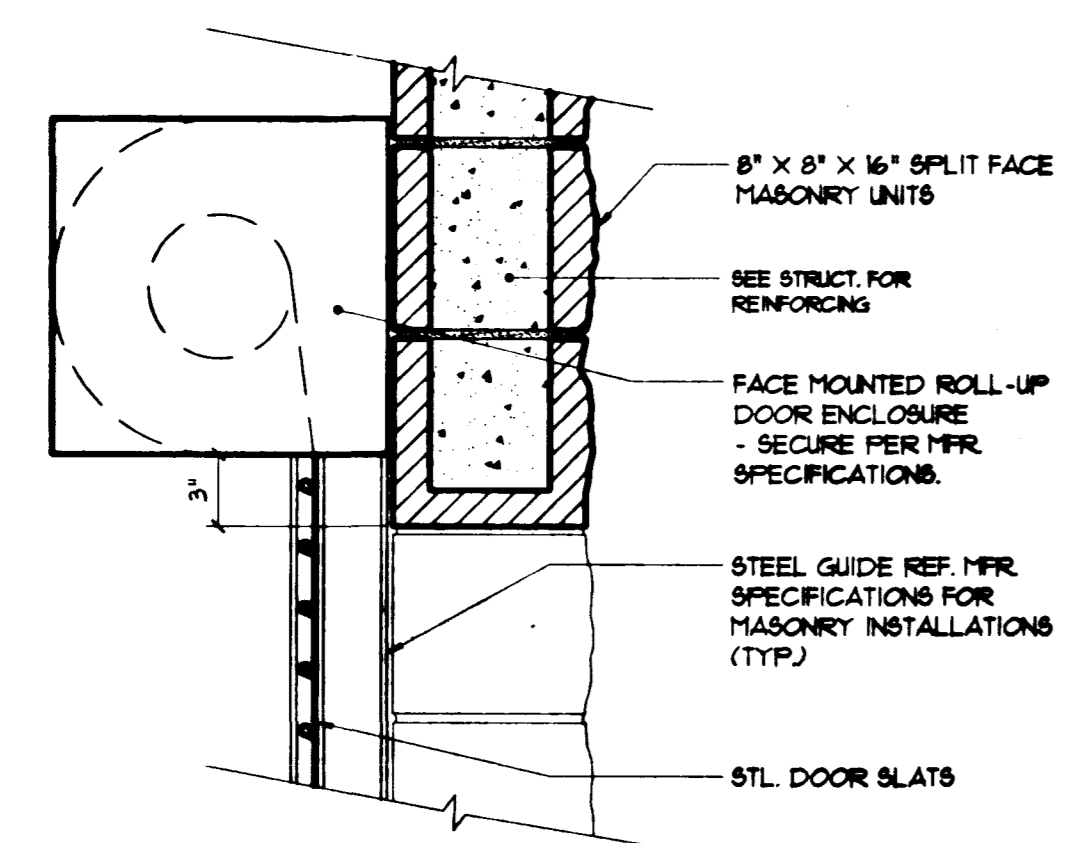
**3 Head - Jamb Sim.**  
Scale: 3/4"=1'-0"  
08000-11 AB-03



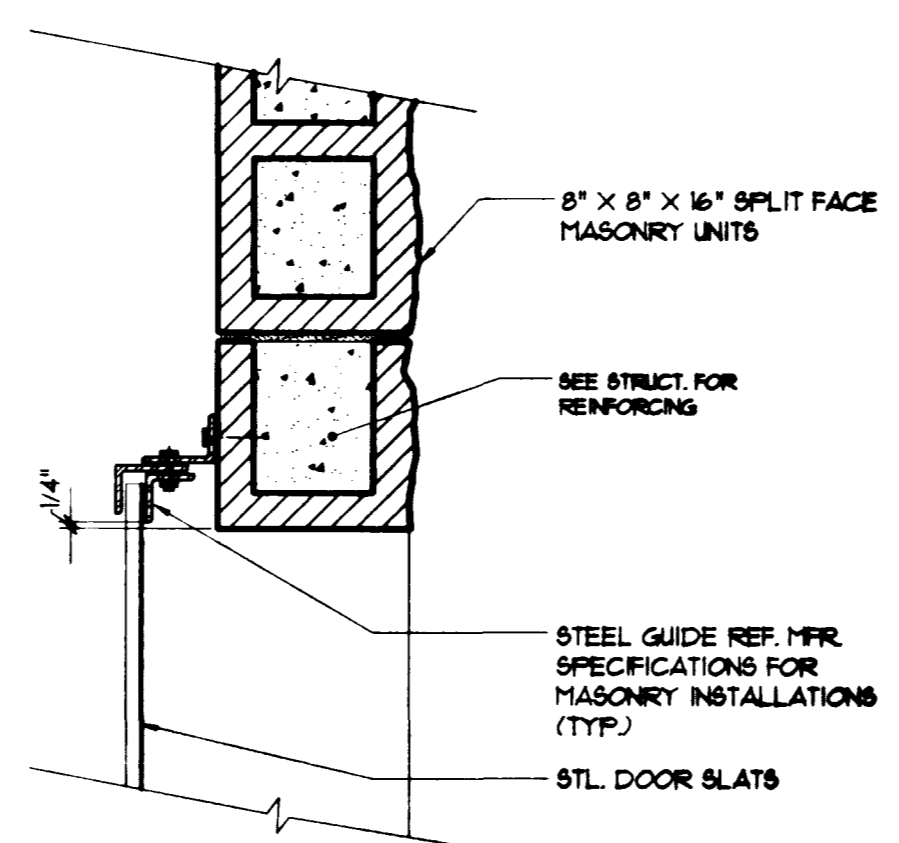
**4 Jamb - Head Sim.**  
Scale: 3/4"=1'-0"  
08000-18 AB-04



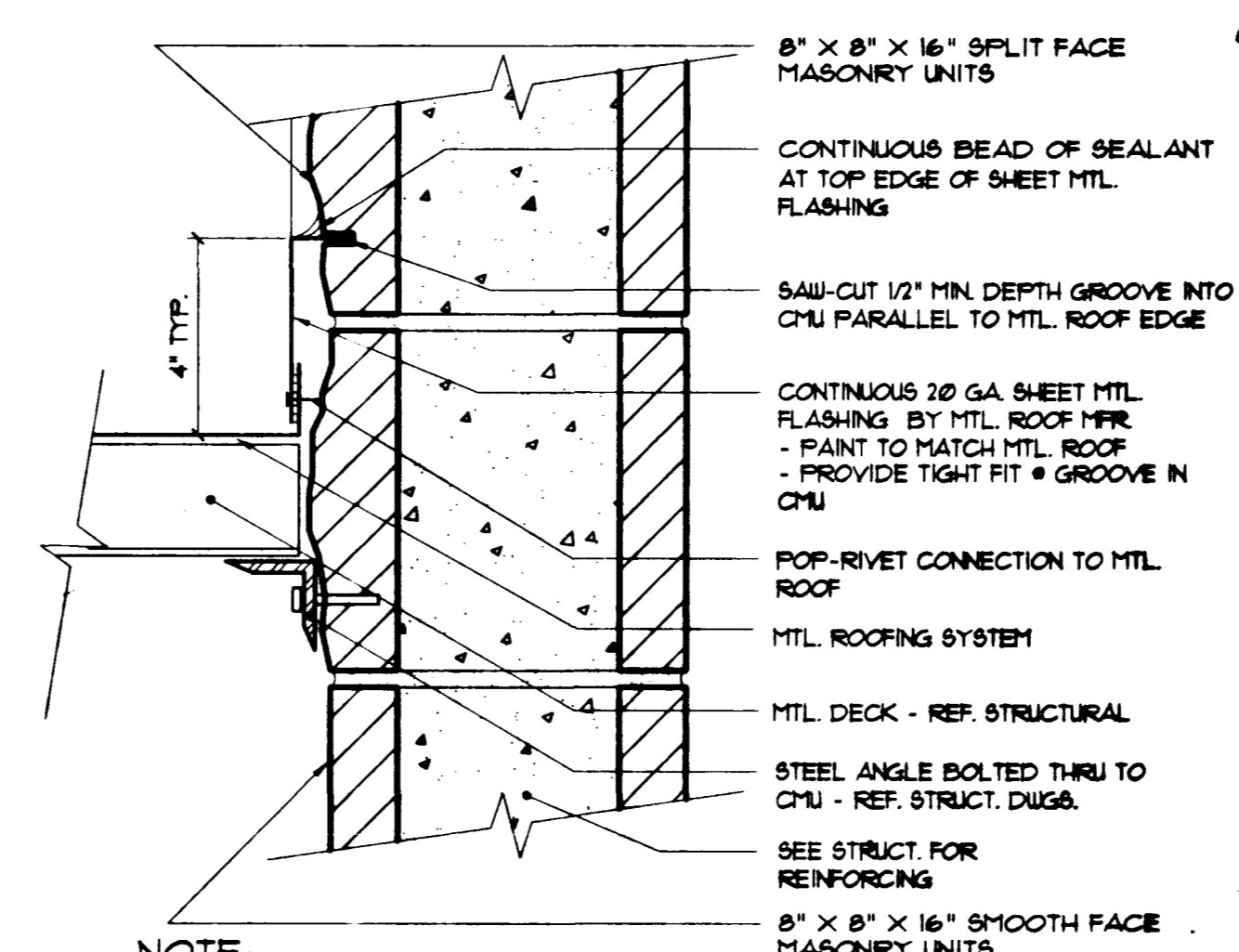
**5 Head - Jamb and Sill Sim.**  
Scale: 3/4"=1'-0"  
04100-04 AB-05



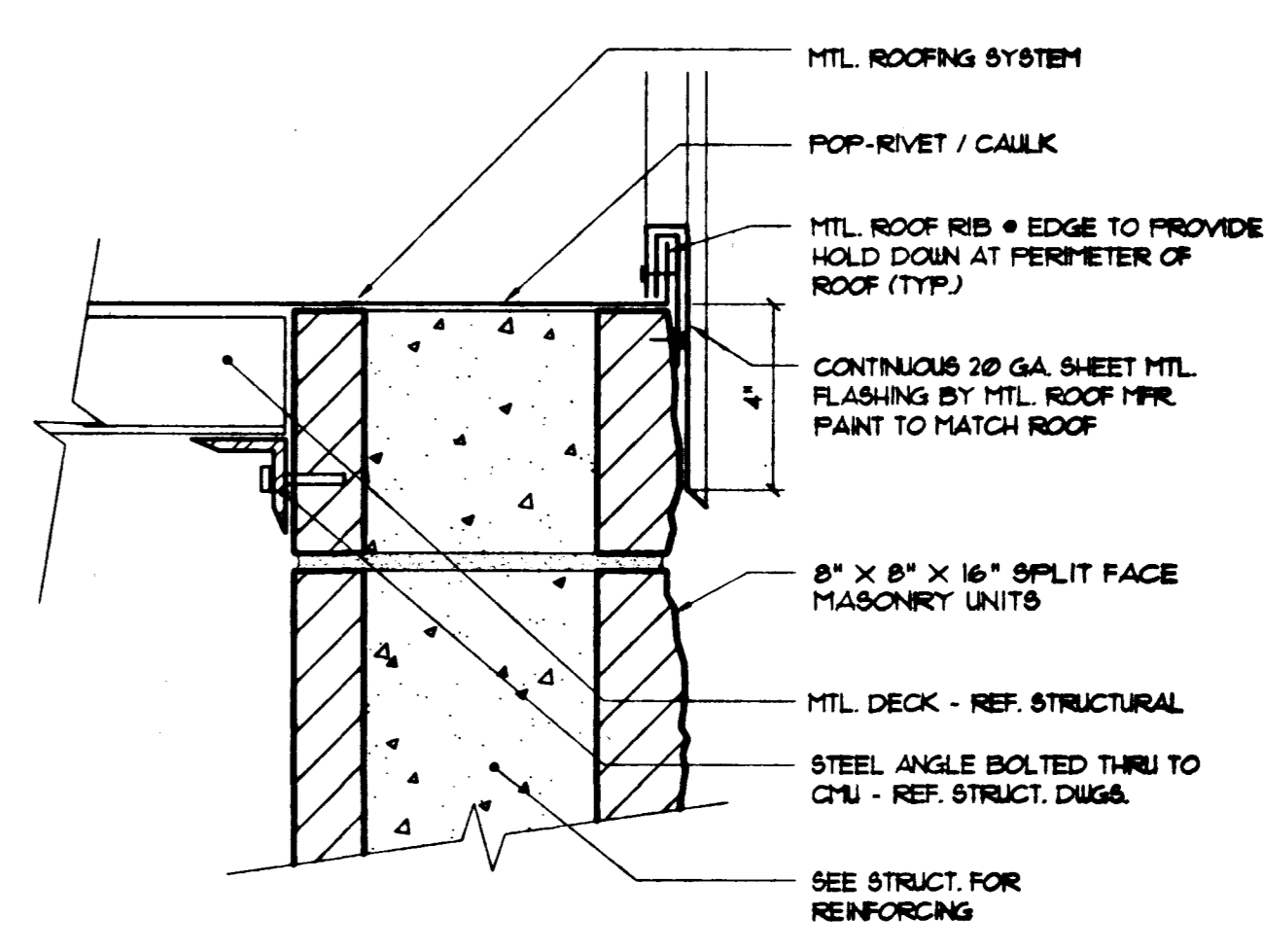
**6 Over Head Door - Head Dtl.**  
Scale: 1/2"=1'-0"  
08300-01 AB-06



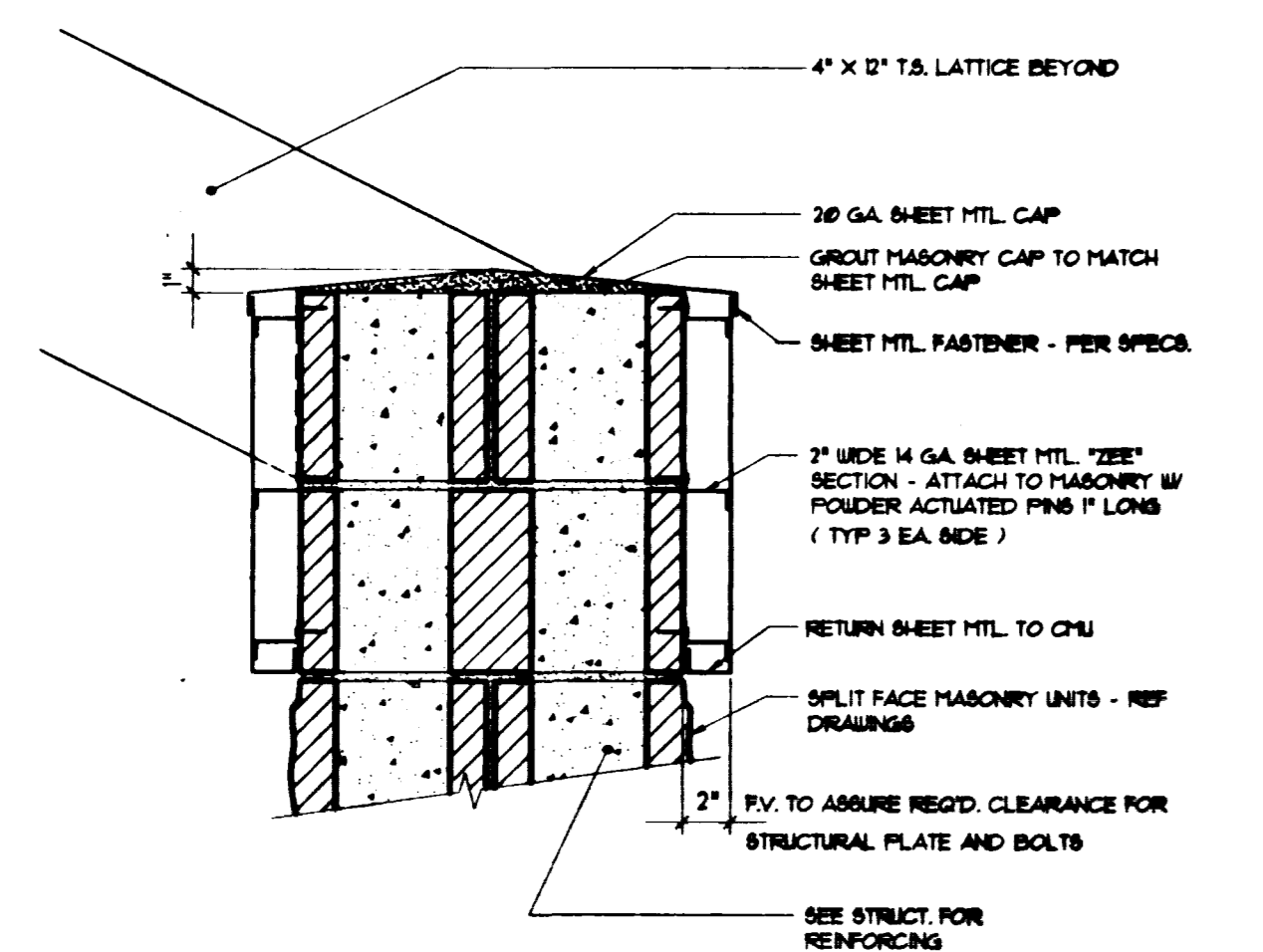
**7 Over Head Door - Jamb Dtl.**  
Scale: 1/2"=1'-0"  
08300-02 AB-07



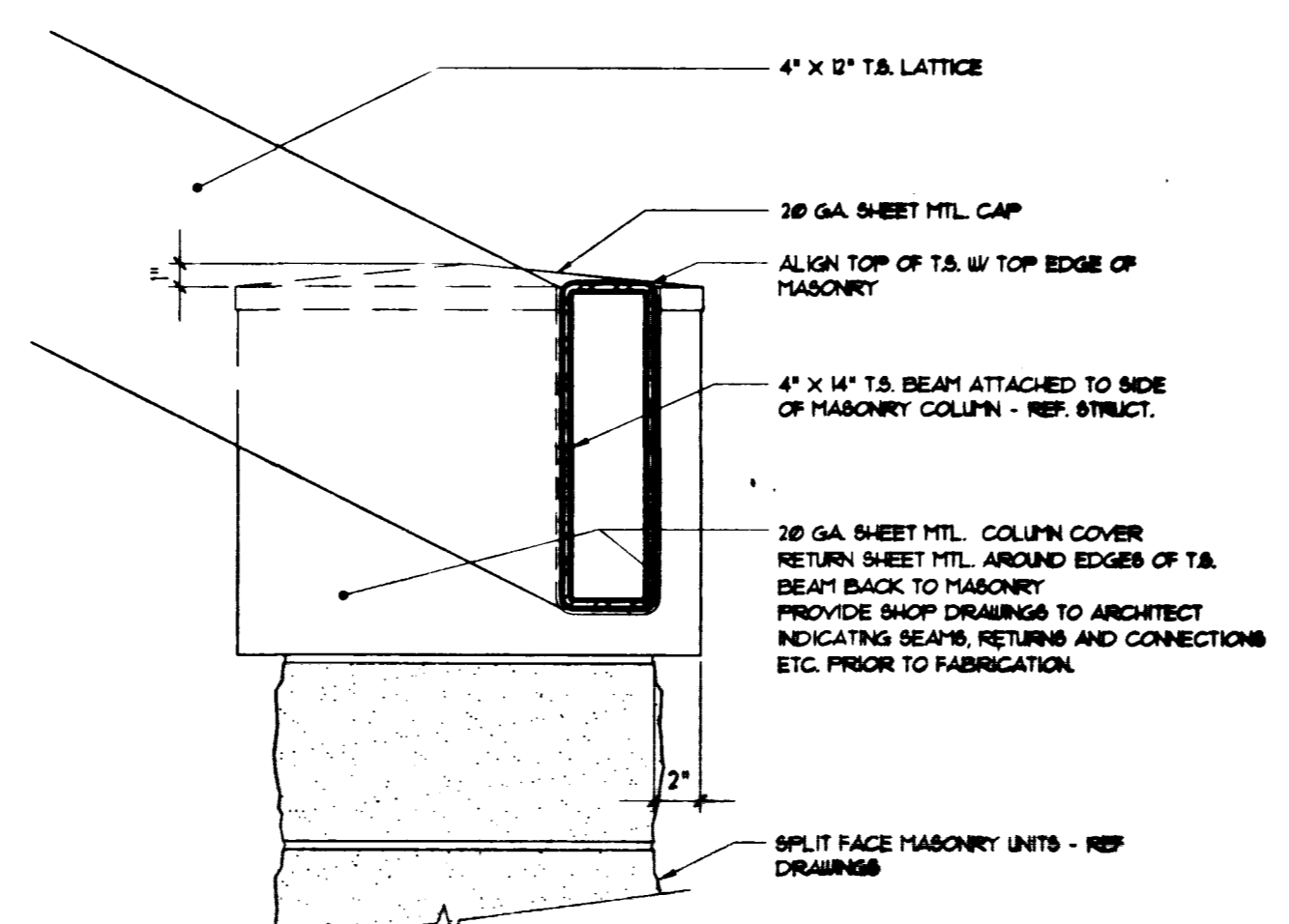
**8 CMU Parapet to Mtl. Roof Flashing**  
Scale: 3/4"=1'-0"  
07620-11 AB-08



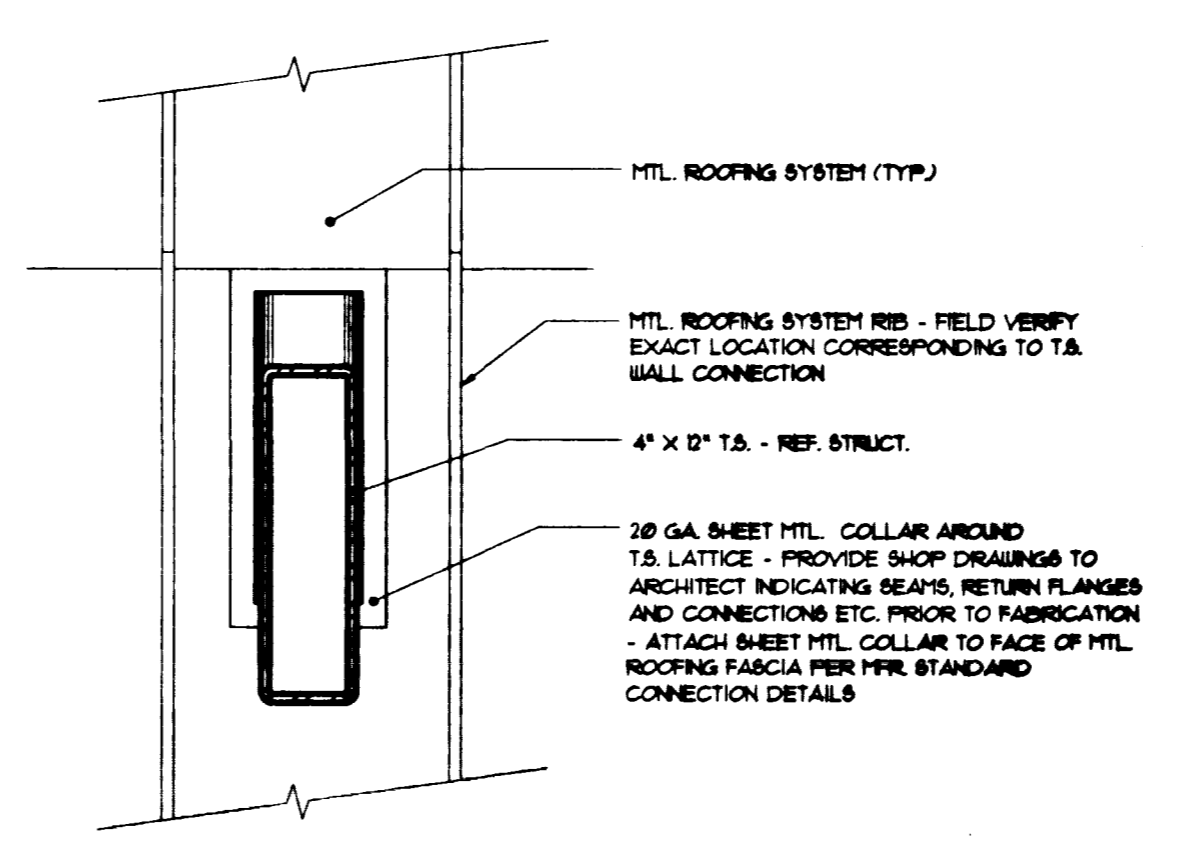
**9 CMU Wall to Mtl. Roof Cap Flashing**  
Scale: 3/4"=1'-0"  
07620-16 AB-09



**10 Masonry Column - Metal Cap**  
Scale: 1/2"=1'-0"  
07620-19 AB-10



**11 Masonry Column - T.S. Connection**  
Scale: 1/2"=1'-0"  
07620-20 AB-11



**12 T.S. - Mtl. Roof'g. Sys. Connection**  
Scale: 1/2"=1'-0"  
07620-21 AB-12

DATE					
REVISIONS					
DRAWN BY: BLB	DESIGN BY: BLB				
DATE: 7/81					
PROJECT: Torrey Pines Park & Ball Field					
SHEET TITLE: Miscellaneous Details					
SHEET NO. A8					
DRAWING NO. TP109AB					

1542

