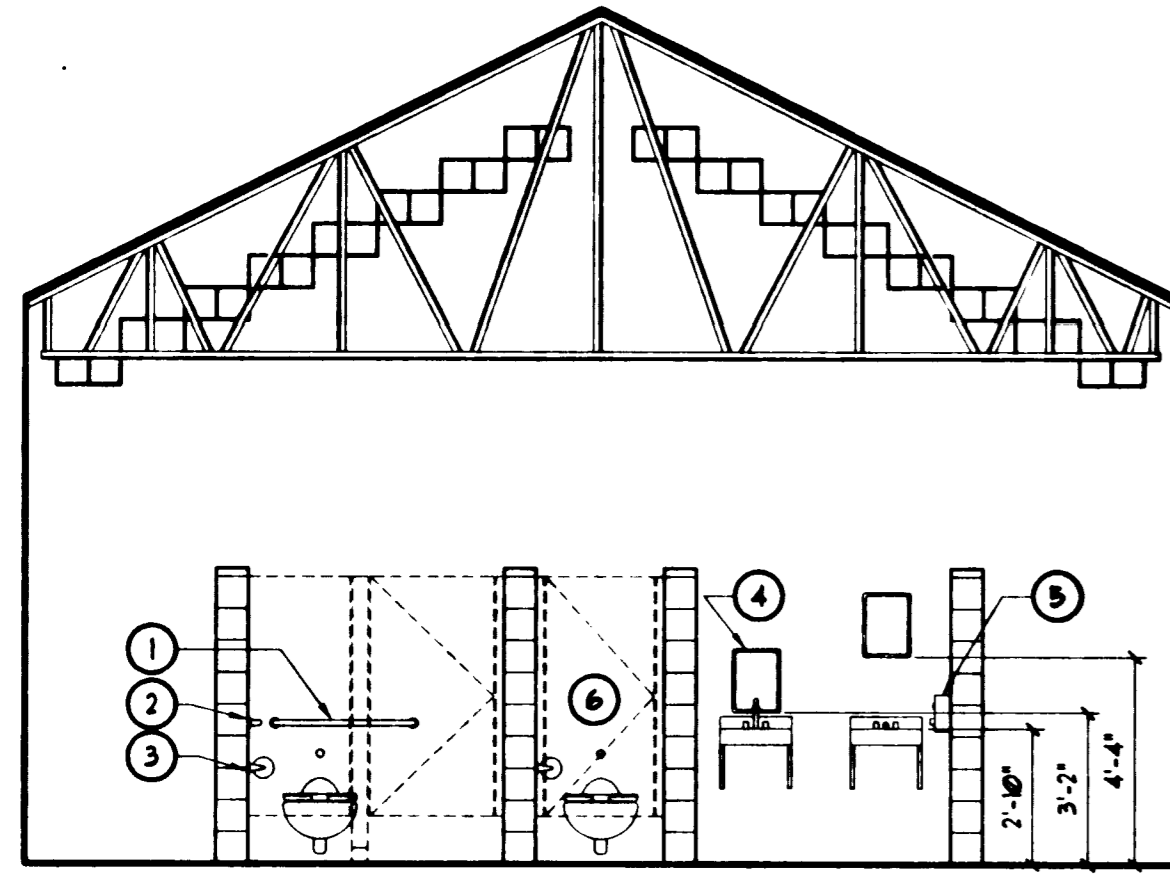
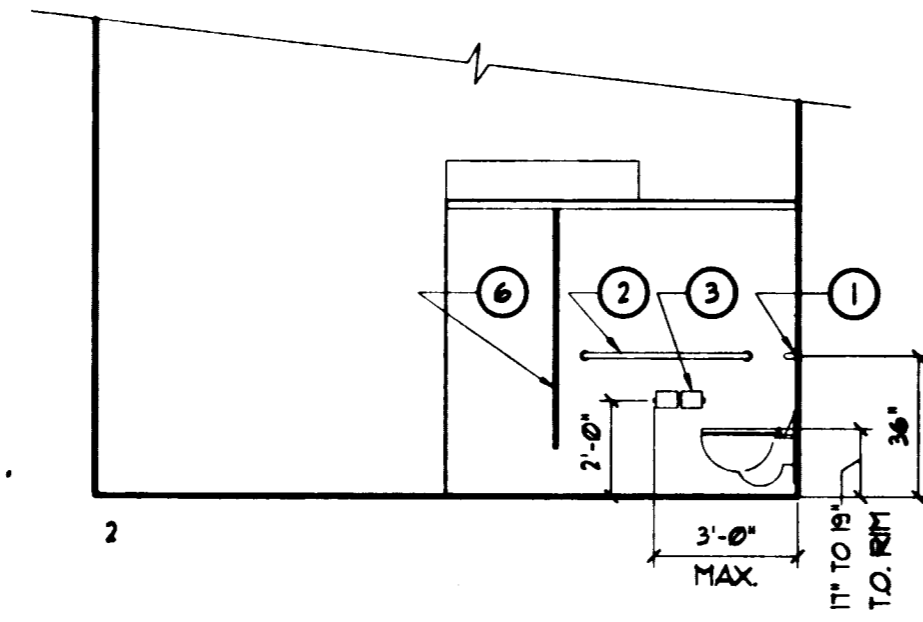


# Toilet Room Accessories

- 1 GRAB BAR "BOBRICK" B-6206 X 36" (MOUNT @ 36" AFF.)
- 2 GRAB BAR "BOBRICK" B-6206 X 42" (MOUNT @ 36" AFF.)
- 3 TOILET PAPER DISPENSER "BOBRICK" B-68660 (MOUNT @ 2'-0" AFF.)
- 4 STAINLESS STEEL MIRROR "BOBRICK" B-9446 (MOUNT BOTTOM OF REFLECTIVE SURFACE @ 36" AFF. • HANDICAP ACCESSIBLE LAVATORY) (CENTER MIRROR OVER LAVATORY)
- 5 HAND DRYER "WORLD HAND DRYER" MODEL A5-FBLKA - BLACK (MOUNT BOTTOM OF UNIT @ 31" AFF.) - REFERENCE FLOOR PLAN SHEET A1 FOR LOCATIONS.
- 6 TOILET PARTITIONS (DOORS) - MANUFACTURED BY GLOBAL GLO-GARD POWDER COATED STEEL. COLOR: BLACK (#3205). INSTALL PER MFR SPECIFICATIONS.



1 Womens Rm. 101  
Scale: 1/4"=1'-0"



MENS RM. 103 OPPOSITE HAND OF WOMENS RM. 101 - 5M.

# Room Finish Schedule

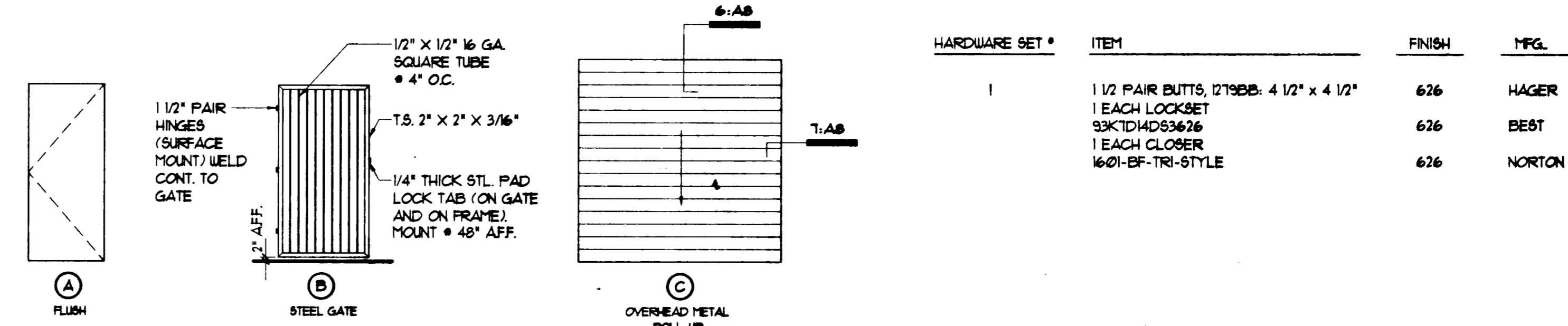
Room No.	Room Name	Floor	Base	Walls				Ceiling	Clg. Hgt.	Finishes & Materials	
				North	East	South	West				
101	Womens	CC-2	---	CHU ①	CHU ①	CHU ①	CHU ①	HTL DECK / IP-1	OPEN TO STRUCT.	CC-1	CONCRETE W/ LIGHT BROOM FINISH
102	Plumbing Chase	CC-2	---	CHU ①	CHU ①	CHU ①	CHU ①	HTL DECK / IP-1	OPEN TO STRUCT.	CC-2	CONCRETE W/ SMOOTH FINISH - SEALED
103	Mens	CC-2	---	CHU ①	CHU ①	CHU ①	CHU ①	HTL DECK / IP-1	OPEN TO STRUCT.	EP-1	SINCLAIR - C10510
104	Storage	CC-2	---	CHU ①	CHU ①	CHU ①	CHU ①	HTL DECK / IP-1	OPEN TO STRUCT.	GT-1	(GROUT) - MATCH BLOCK COLOR
105	Covered Patio Area	---	---	CHU ①	CHU ①	CHU ①	CHU ①	HTL DECK / IP-1	OPEN TO STRUCT.	IP-1	SINCLAIR - C10512

### Finish Schedule Notes:

- ① CHU TO BE SMOOTH-FACE TO MATCH THE COLOR OF THE SPLIT-FACE MASONRY ON EXTERIOR OF BUILDING.

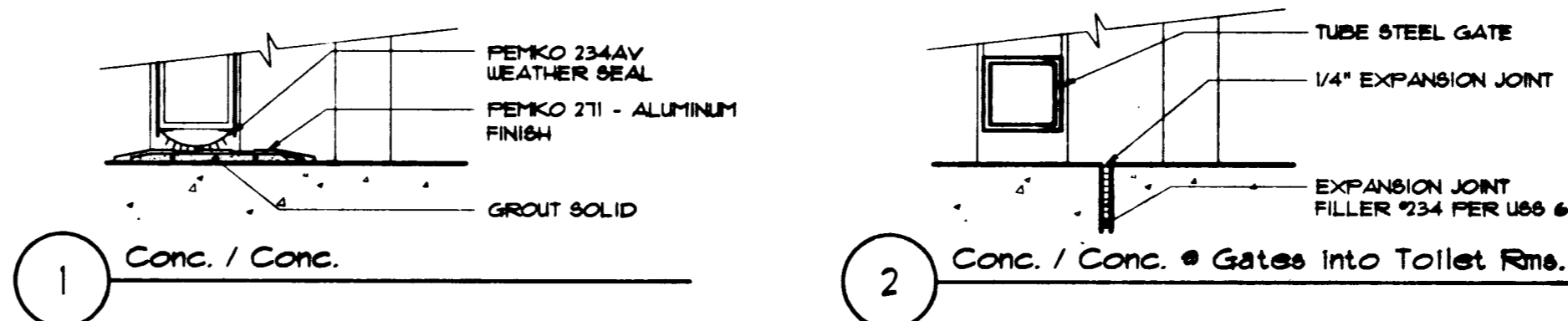
# Door Schedule

Door No.	Size	Rating	Type	Material	Finish	Hardware	Additional Notes	Frame			Details			
								Rating	Material	Finish	Head	Jamb	Jamb	Thrd.
101A	3'-0" X 7'-0" X 2"	---	B	TUBE STEEL	EP-1	---	OWNER PROVIDED PADLOCK	---	HM	EP-1	4:AB SIM	4:AB	4:AB	2
101B	3'-0" X 7'-0" X 2"	---	B	TUBE STEEL	EP-1	---	OWNER PROVIDED PADLOCK	---	HM	EP-1	4:AB SIM	4:AB	4:AB	2
102A	3'-0" X 7'-0" X 1 3/4"	---	A	HM	EP-1	1	---	---	HM	EP-1	3:AB	3:AB SIM	3:AB SIM	1
103A	3'-0" X 7'-0" X 2"	---	B	TUBE STEEL	EP-1	---	OWNER PROVIDED PADLOCK	---	HM	EP-1	4:AB SIM	4:AB	4:AB	2
103B	3'-0" X 7'-0" X 2"	---	B	TUBE STEEL	EP-1	---	OWNER PROVIDED PADLOCK	---	HM	EP-1	4:AB SIM	4:AB	4:AB	2
104A	8'-0" X 8'-0"	---	C	STL.	EP-1	---	OWNER PROVIDED PADLOCK	---	---	---	6:AB	7:AB	7:AB	2
104B	3'-0" X 7'-0" X 1 3/4"	---	A	HM	EP-1	1	---	---	HM	EP-1	3:AB	3:AB SIM	3:AB SIM	1



# Door Types

Not to Scale



# Floor Transition Details

Scale: 3/4"=1'-0"

- ALL THRESHOLDS TO MEET ADA AND ANSI STANDARDS.
- ALL THRESHOLDS TO HAVE A MAXIMUM RISE OF 1/2" W/ A MAXIMUM SLOPE OF 1:2 (RISE TO RUN).
- ALL THRESHOLDS WITH A RISE OF 1/4" OR LESS MAY BE AT A RIGHT ANGLE TO A FLAT SURFACE.

DATE: \_\_\_\_\_  
 REVISIONS: \_\_\_\_\_  
 DRAWN BY: BLP  
 DESIGN BY: BLP  
 DATE: 1/31  
 I.A. \*  
 DATE: 1/31  
 PLOT SCALE: 1/4"=1'-0"  
 P.L.D. BK  
 ARCHITECTURAL SERVICES  
 PROJECT: Torrey Pines Park & Ball Field  
 SHEET TITLE: Ball Field - Interior Elevations, Schedules  
 SHEET NO. 6504  
 DRAWING NO. TPI08A1

