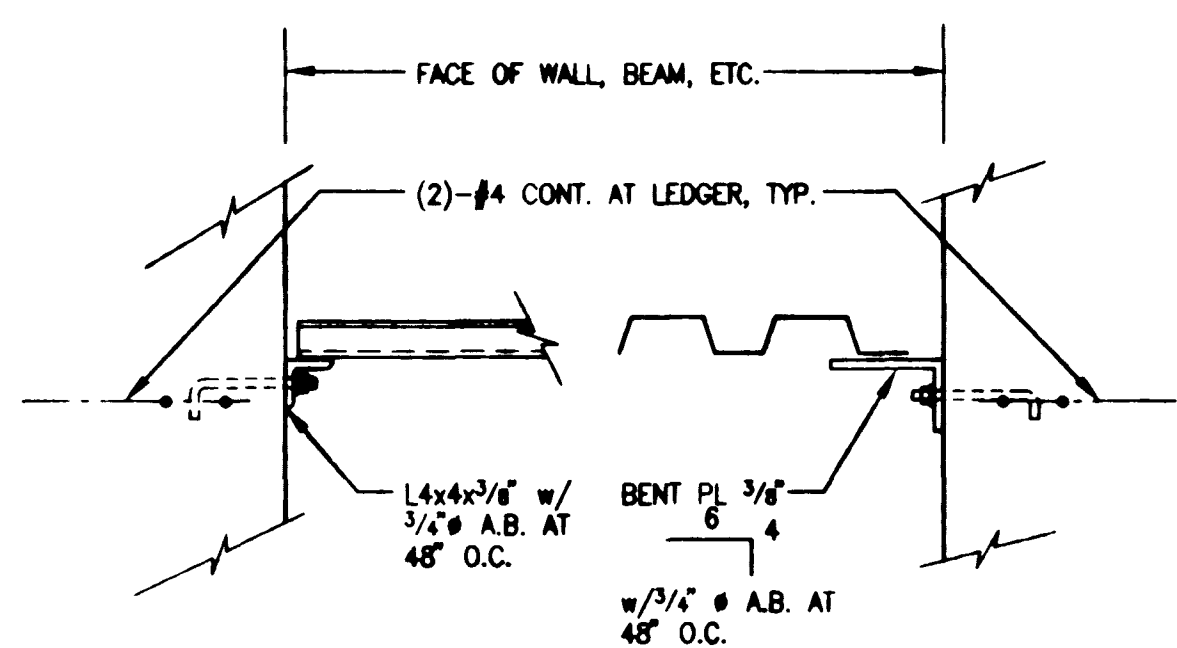


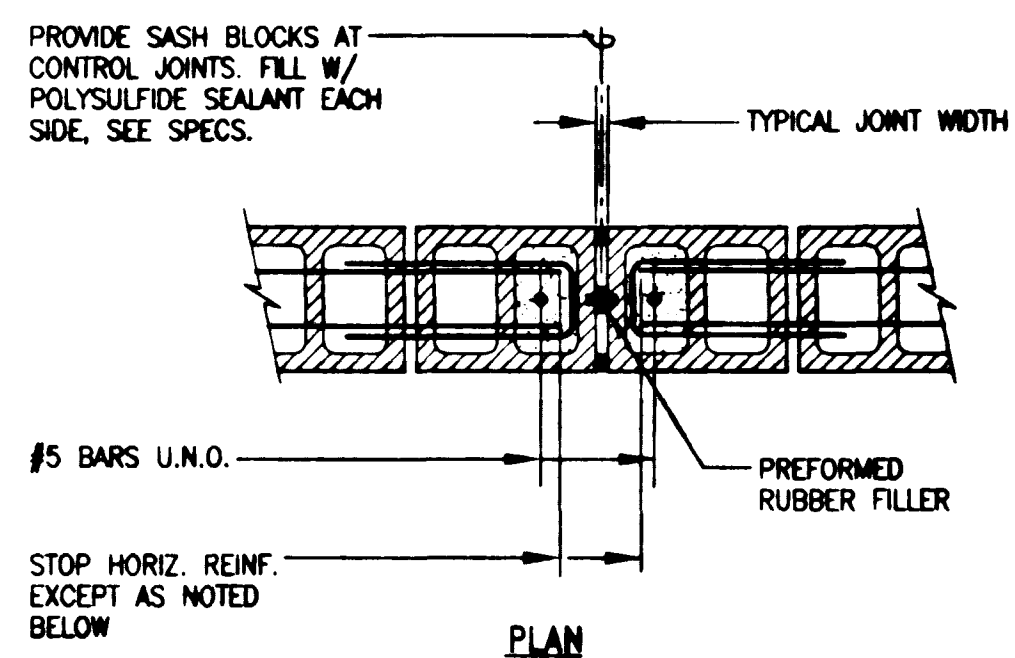
BEAM BEARING PLATE AT PILASTER

DETAIL 12



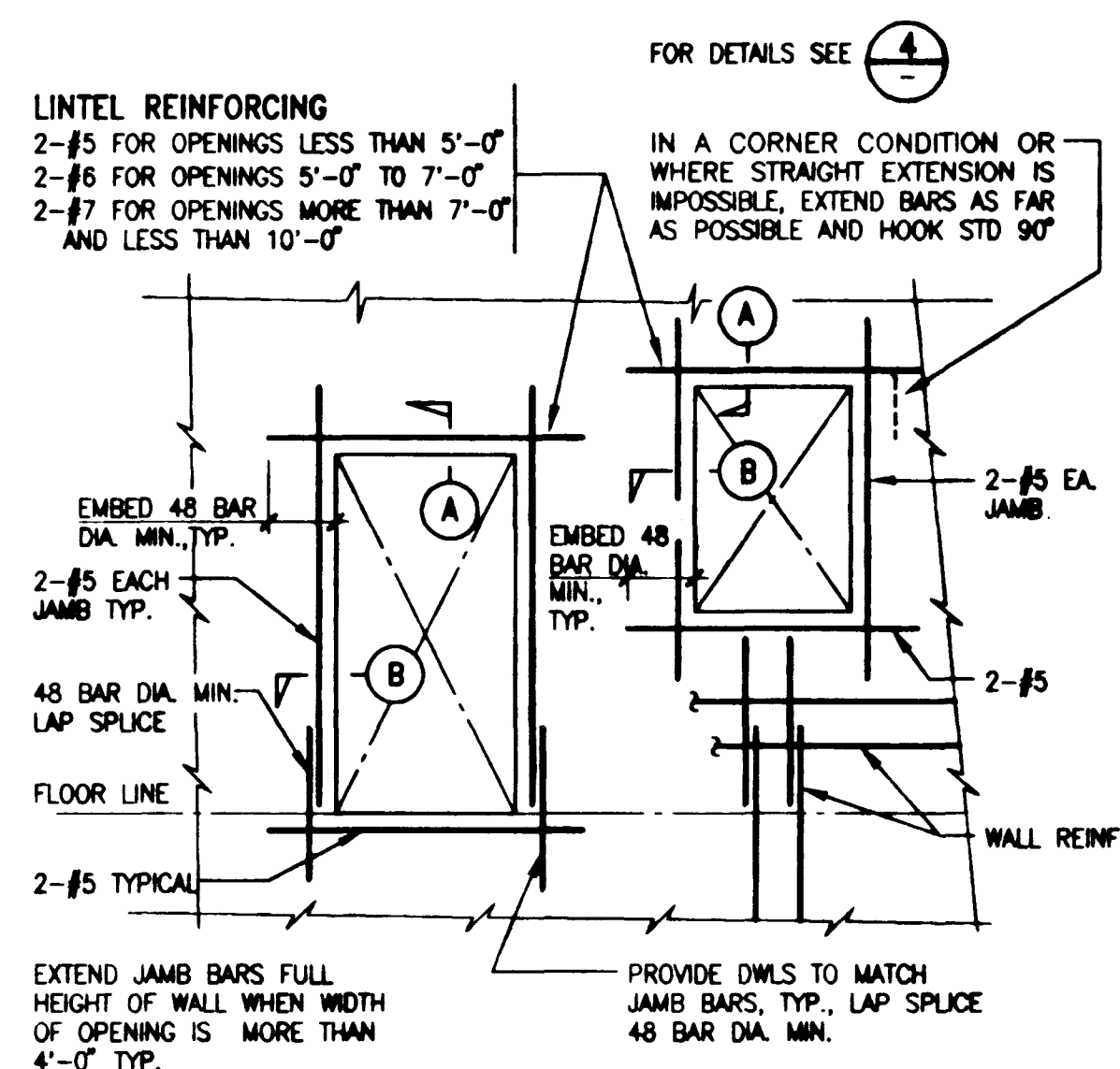
LEDER ANGLES

DETAIL 9



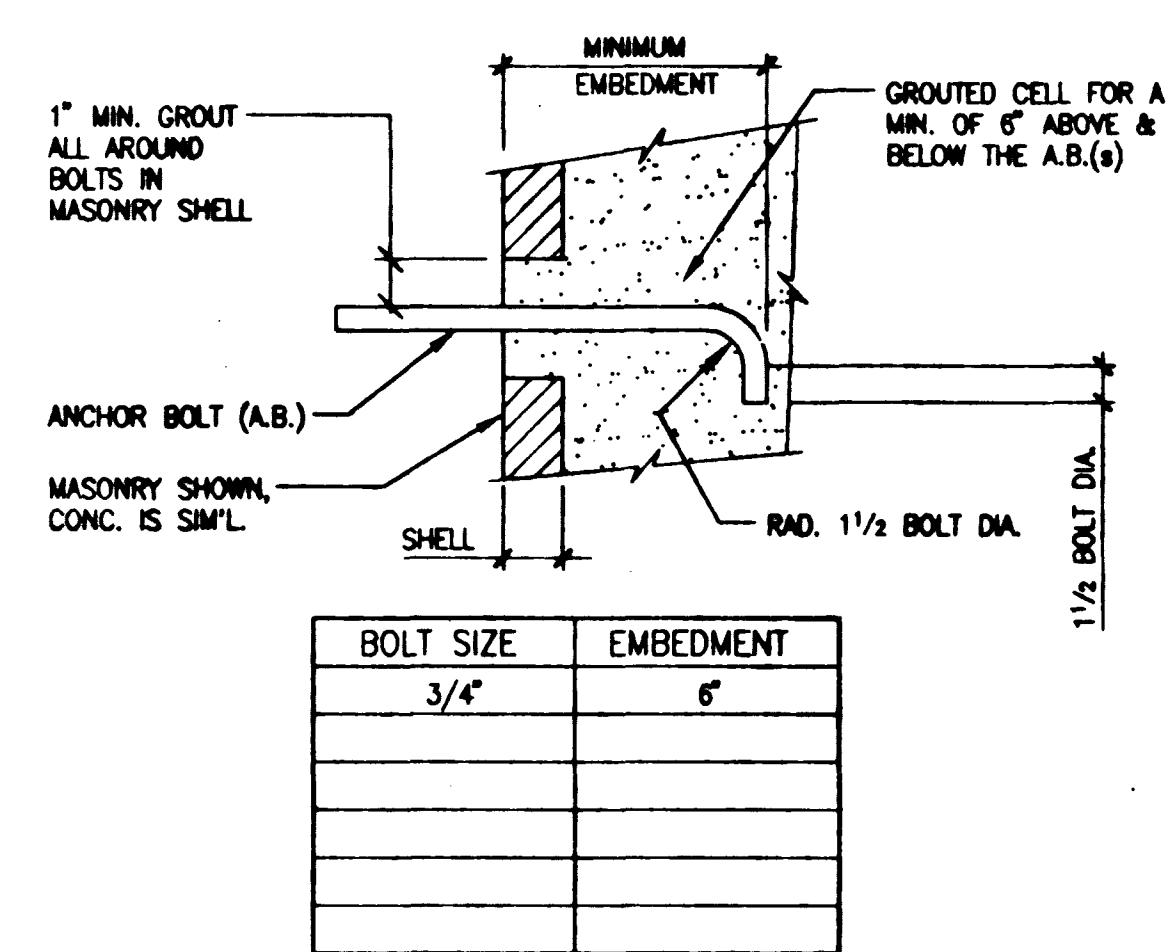
CMU WALL CONTROL JOINT

DETAIL 6



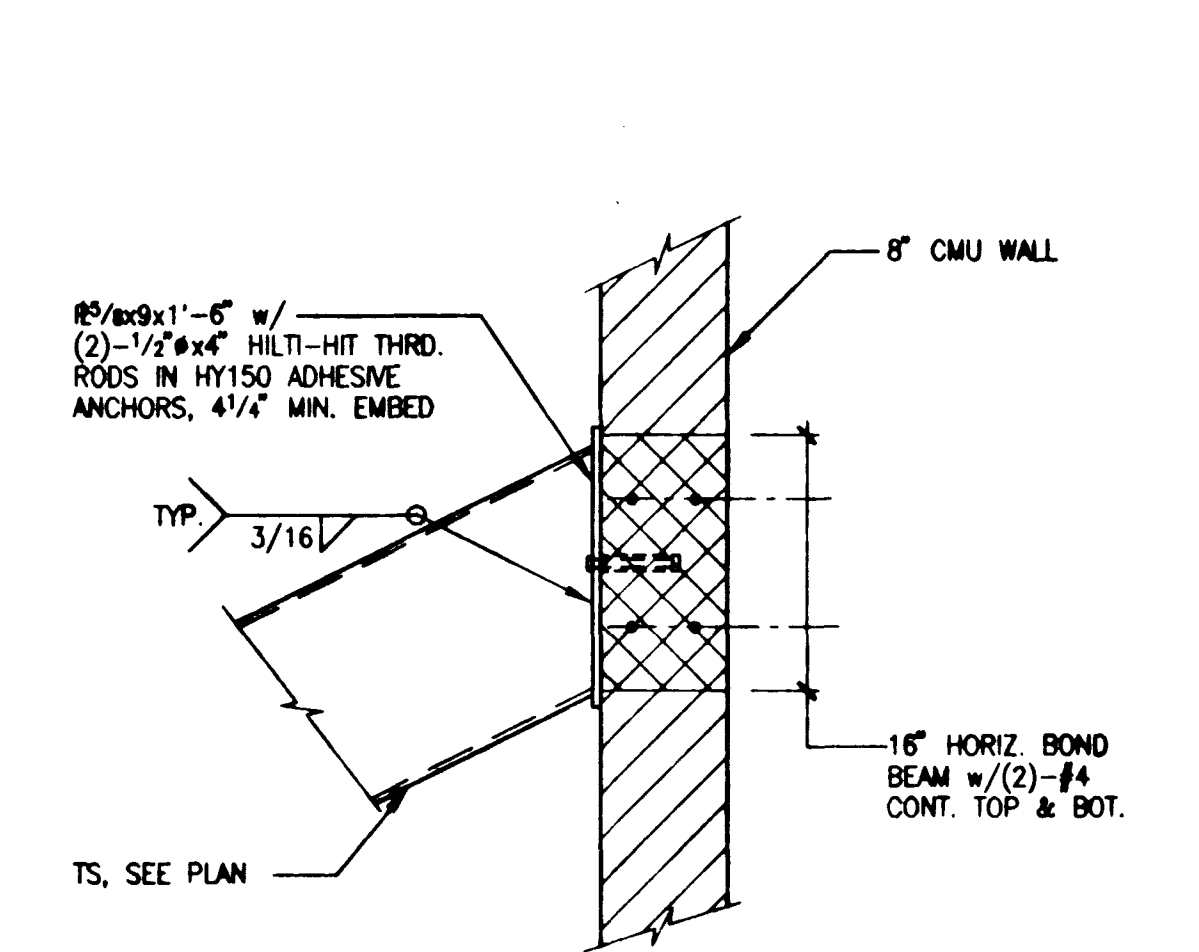
MASONRY WALL OPENINGS

DETAIL 3



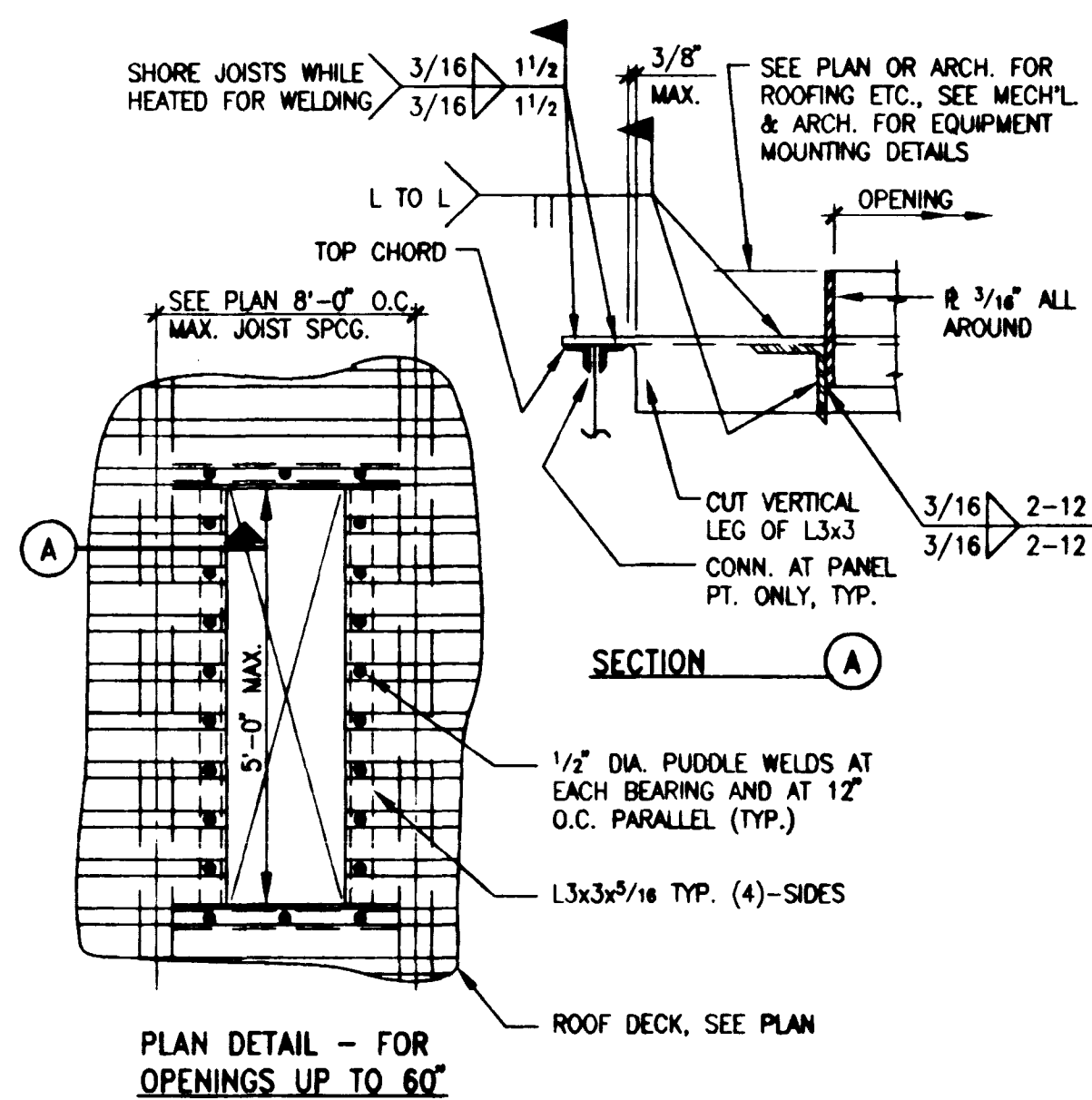
ANCHOR BOLT EMBEDMENT

DETAIL 1



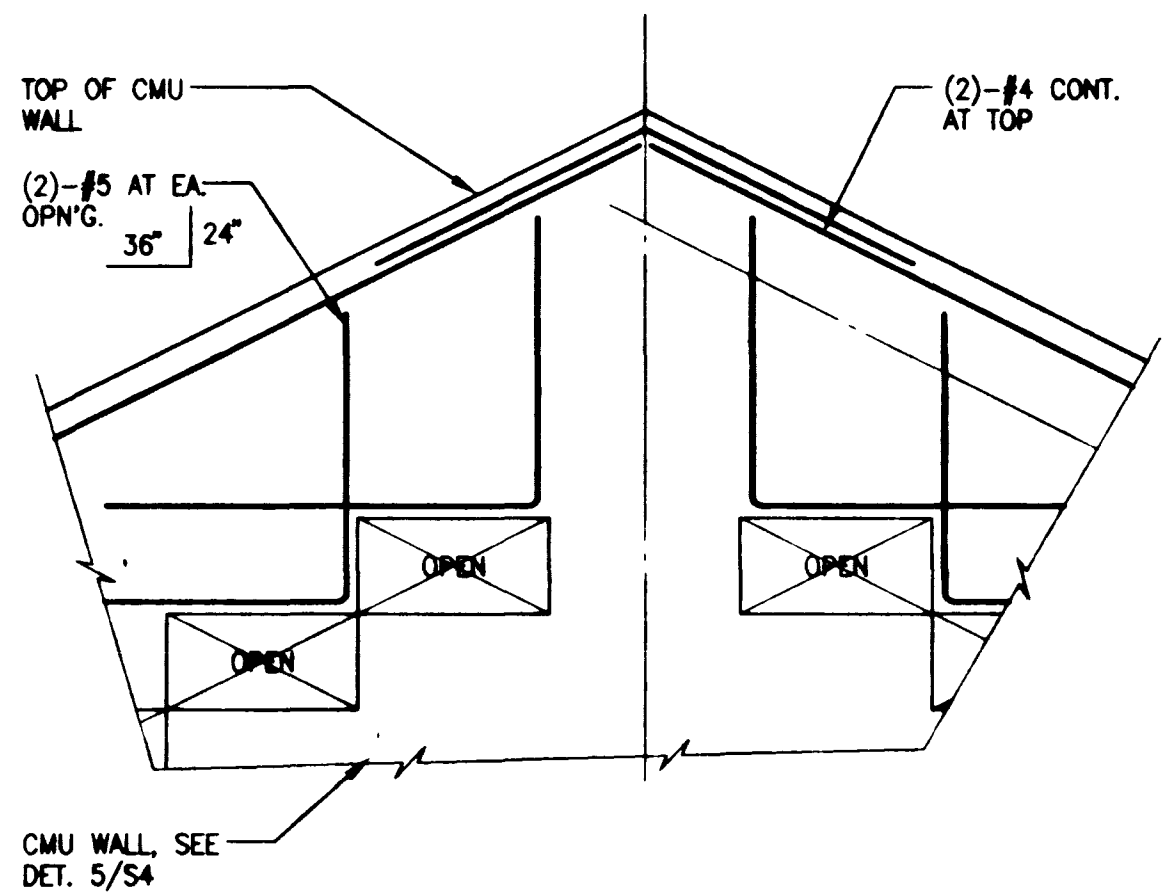
SLOPED BRG. PLATE AT TOP OF MASONRY WALL

DETAIL 13



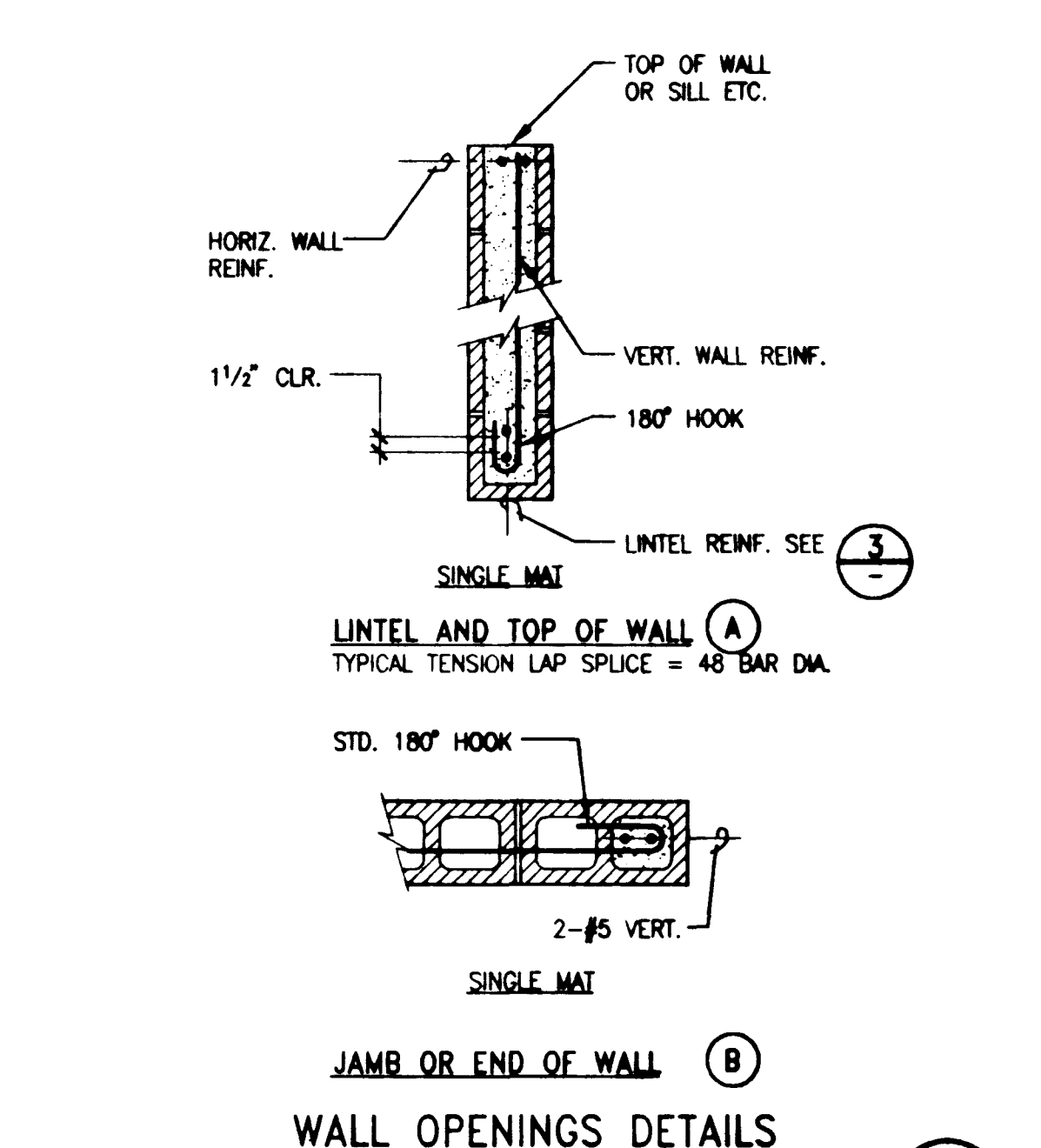
OPENINGS IN ROOF DECK

DETAIL 10



TOP OF WALL

DETAIL 7



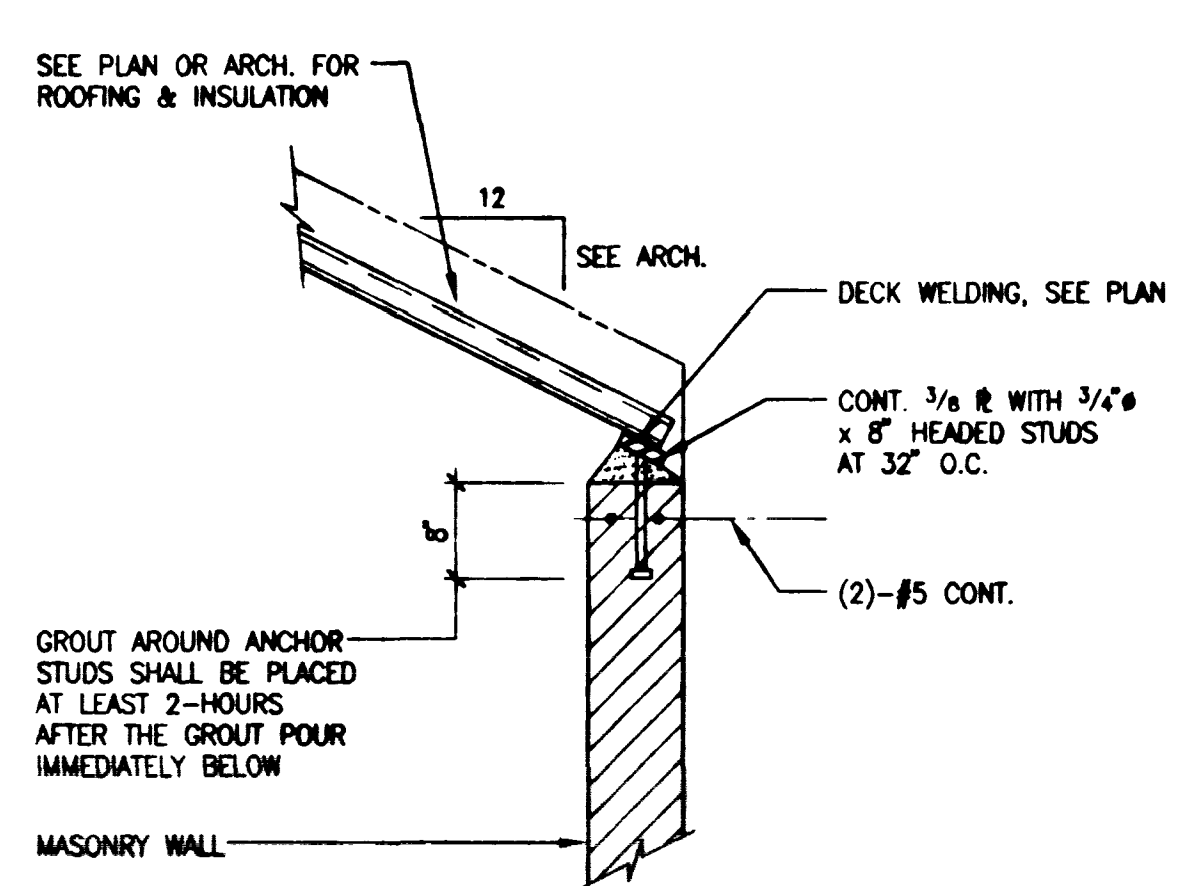
WALL OPENINGS DETAILS

DETAIL 4

MASONRY WALL REINFORCING SCHEDULE			
WALL THICKNESS	HORIZ. BARS	VERT. BARS	REMARKS
8" CMU	(2)-#4 @ 48"	#5 @ 32"	SINGLE MAT

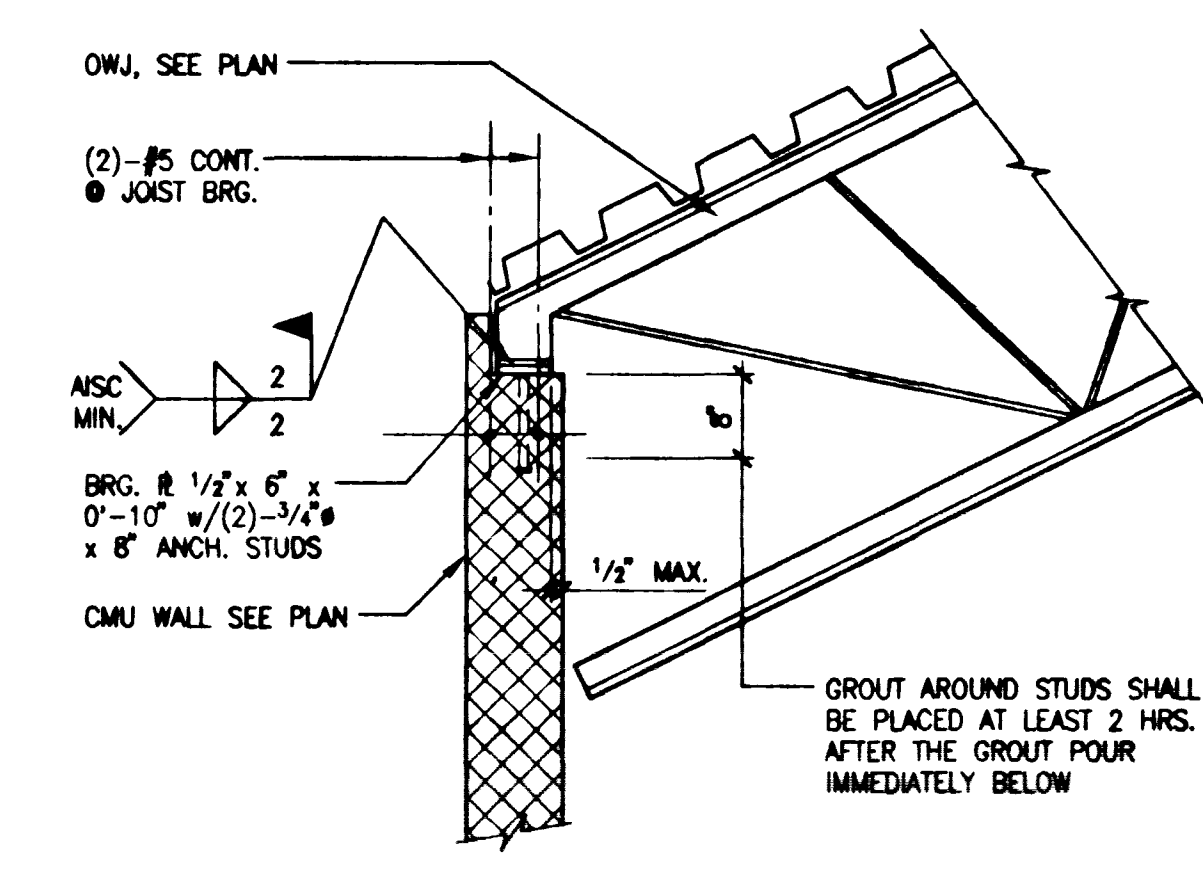
MINIMUM REINFORCING FOR MASONRY WALLS

DETAIL 2



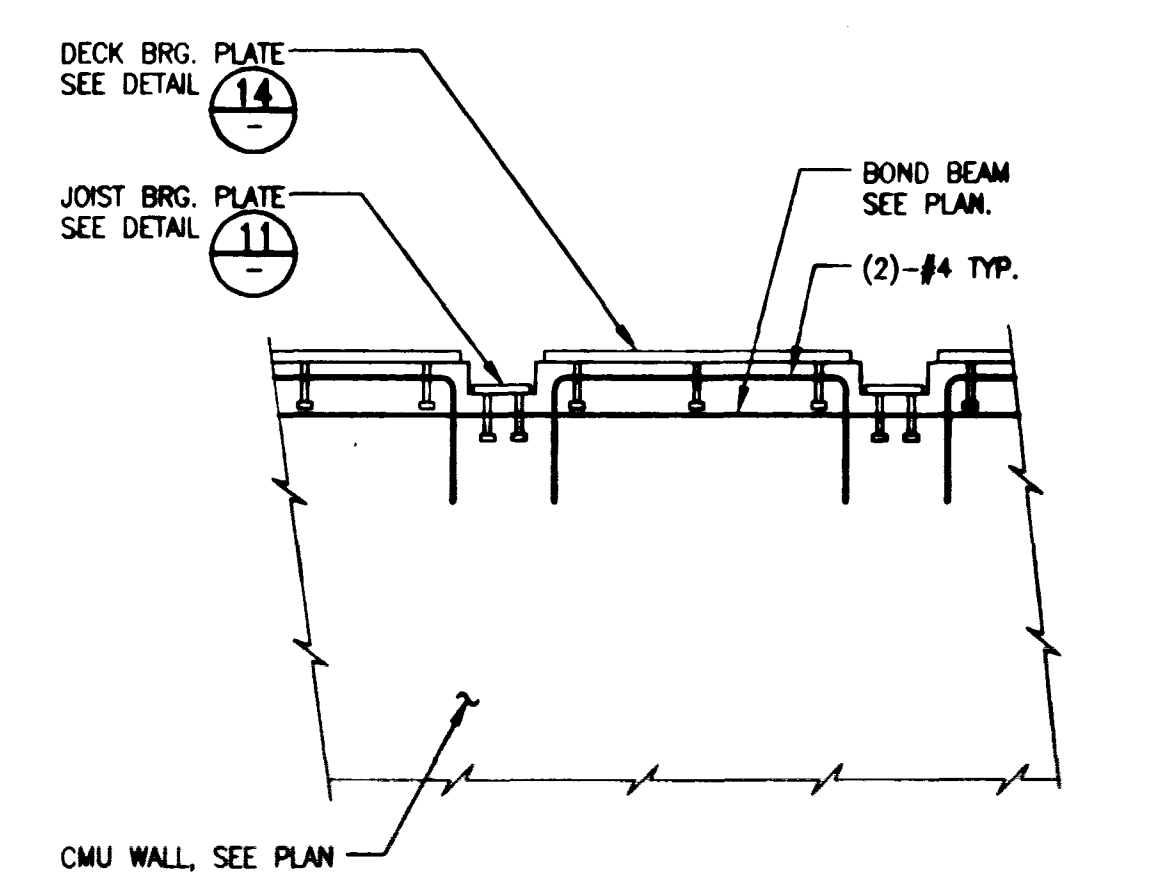
SLOPED BRG. PLATE AT TOP OF MASONRY WALL

DETAIL 14



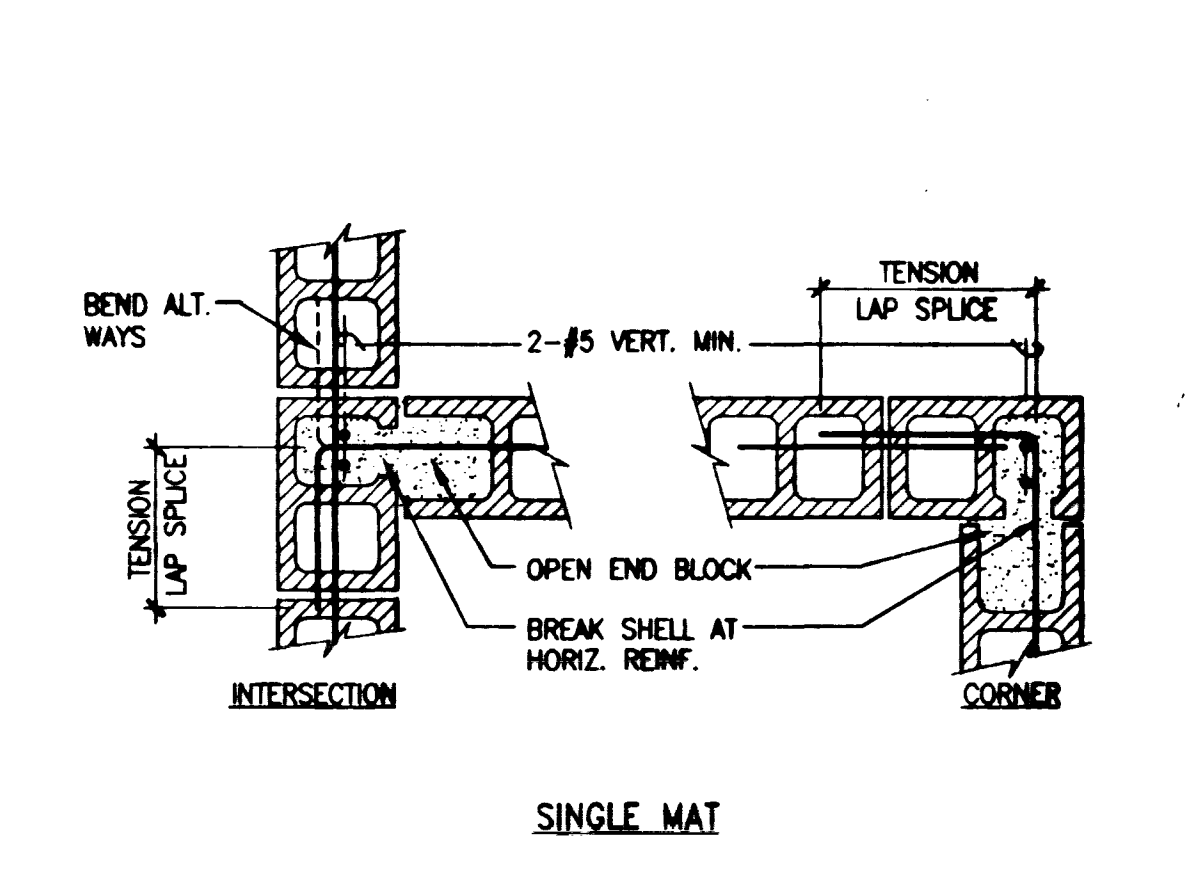
JOIST BEARING PERPENDICULAR TO WALL

DETAIL 11



TOP OF WALL

DETAIL 8

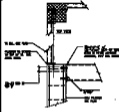


CMU WALL INTERSECTIONS

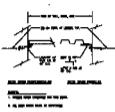
DETAIL 5

NOTES:  
 1. THE ABOVE SHALL BE MINIMUM REINF. FOR ALL MASONRY ELEMENTS.  
 2. SINGLE MAT REINFORCING SHALL BE IN CENTER OF WALL UNLESS OTHERWISE NOTED OR DETAILED.  
 3. FOR MASONRY WALLS FILL ALL CELLS SOLID WITH GROUT, U.N.O.  
 4. ALL HORIZ. BARS SHALL BE IN BOND BEAM UNITS, U.N.O.

DATE: \_\_\_\_\_ REVISIONS: \_\_\_\_\_  
 DRAWN BY: DUANE DESIGN BY: JFJ  
 DATE: 7/97  
 ARCHITECTURAL SERVICES  
 PROJECT: Torrey Pines Park & Ball Field  
 DEPARTMENT OF PUBLIC WORKS  
 SHEET TITLE: PARK-SECTIONS & DETAILS  
 SHEET NO. \_\_\_\_\_  
 BENTNETT & JIMENEZ, INC.  
 STRUCTURAL ENGINEERS  
 B&J JOB NO.: 70721  
 2481 N. Decatur Blvd., Suite B Phone (702) 631-0200  
 Las Vegas, NV 89108 FAX (702) 631-0206  
 DRAWING NO. 58/83



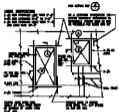
DETAIL 12  
BEAM ENDING PLATE AT PLASTER



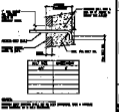
DETAIL 9  
LEVISED ANCHOR



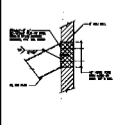
DETAIL 6  
CHAL WALL CONTROL JOINT



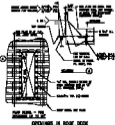
DETAIL 3  
MACHINERY WALL OPENING



DETAIL 1  
ANCHOR BOLT DETAIL



DETAIL 13  
SLABED WALL BASE AT TOP OF MACHINERY WALL



DETAIL 10  
OPENING IN ROOF DECK



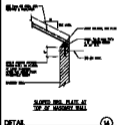
DETAIL 7  
TOP OF WALL



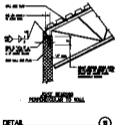
DETAIL 4  
WALL OPENING SKIM



DETAIL 2  
MACHINERY WALL APPROXIMATE DIMENSIONS



DETAIL 14  
SLABED WALL BASE AT TOP OF MACHINERY WALL



DETAIL 8  
ROOF FINISH PENETRATION TO WALL



DETAIL 5  
TOP OF WALL



DETAIL 5  
CHAL WALL INTERSECTIONS

Alternate No. 1

DESIGN & CONSTRUCTION  
 OF  
 TOWER PILES  
 &  
 BALL PILES