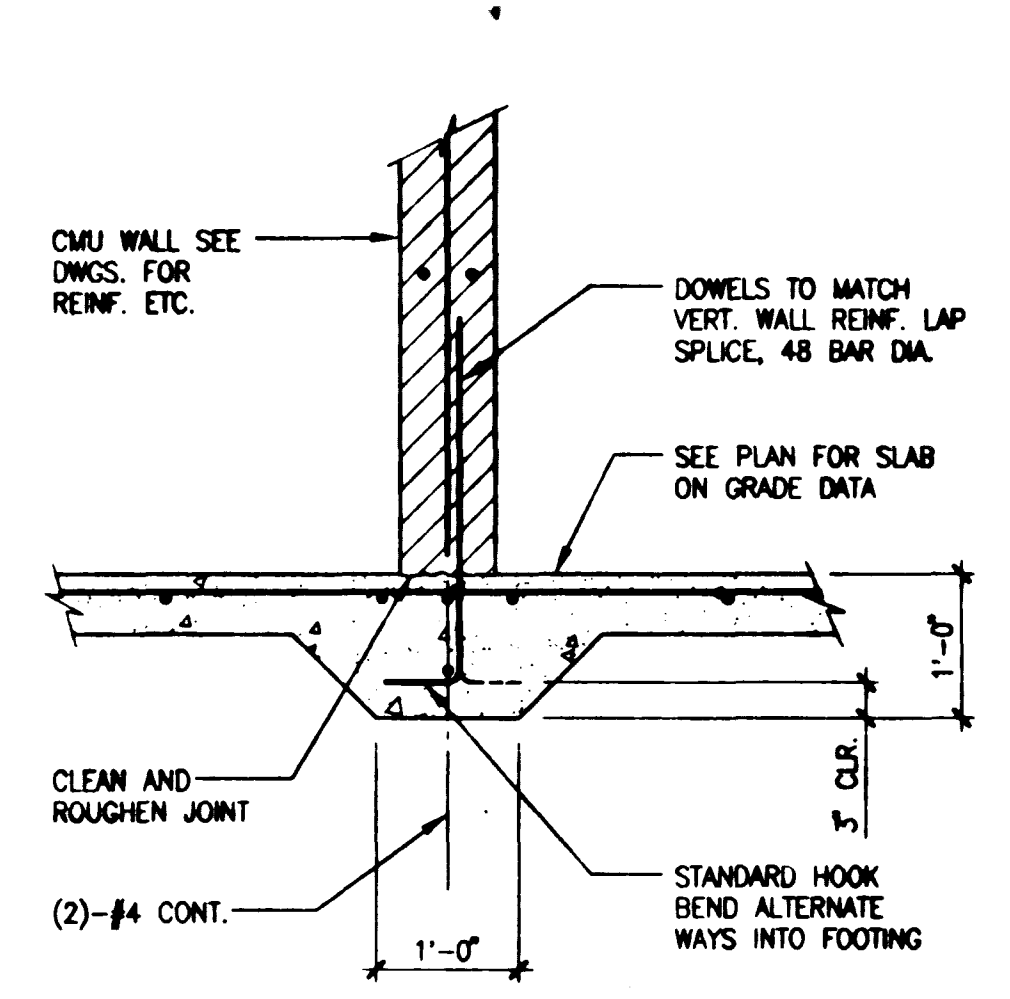


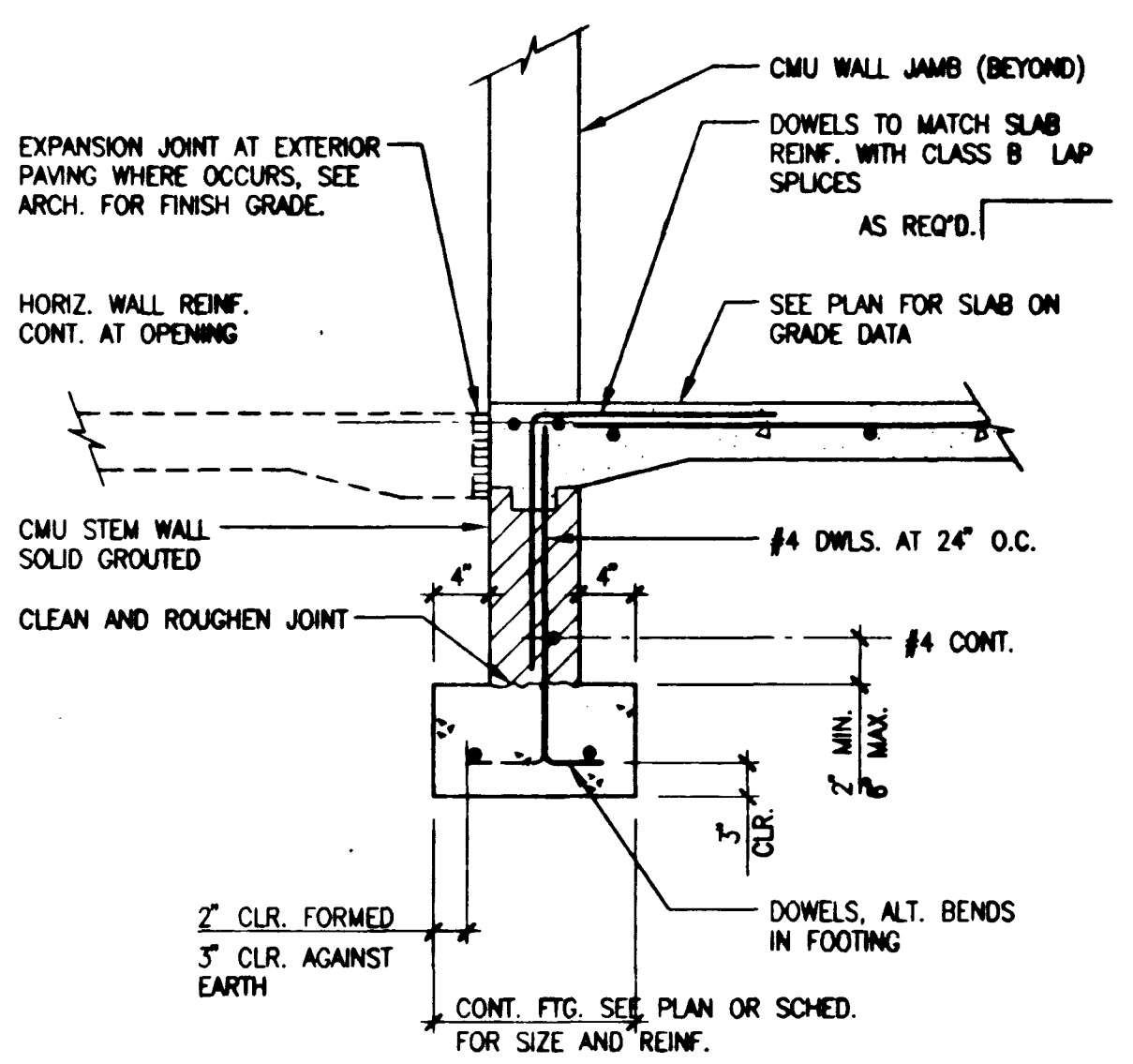
EDGE OF SLAB

DETAIL 12



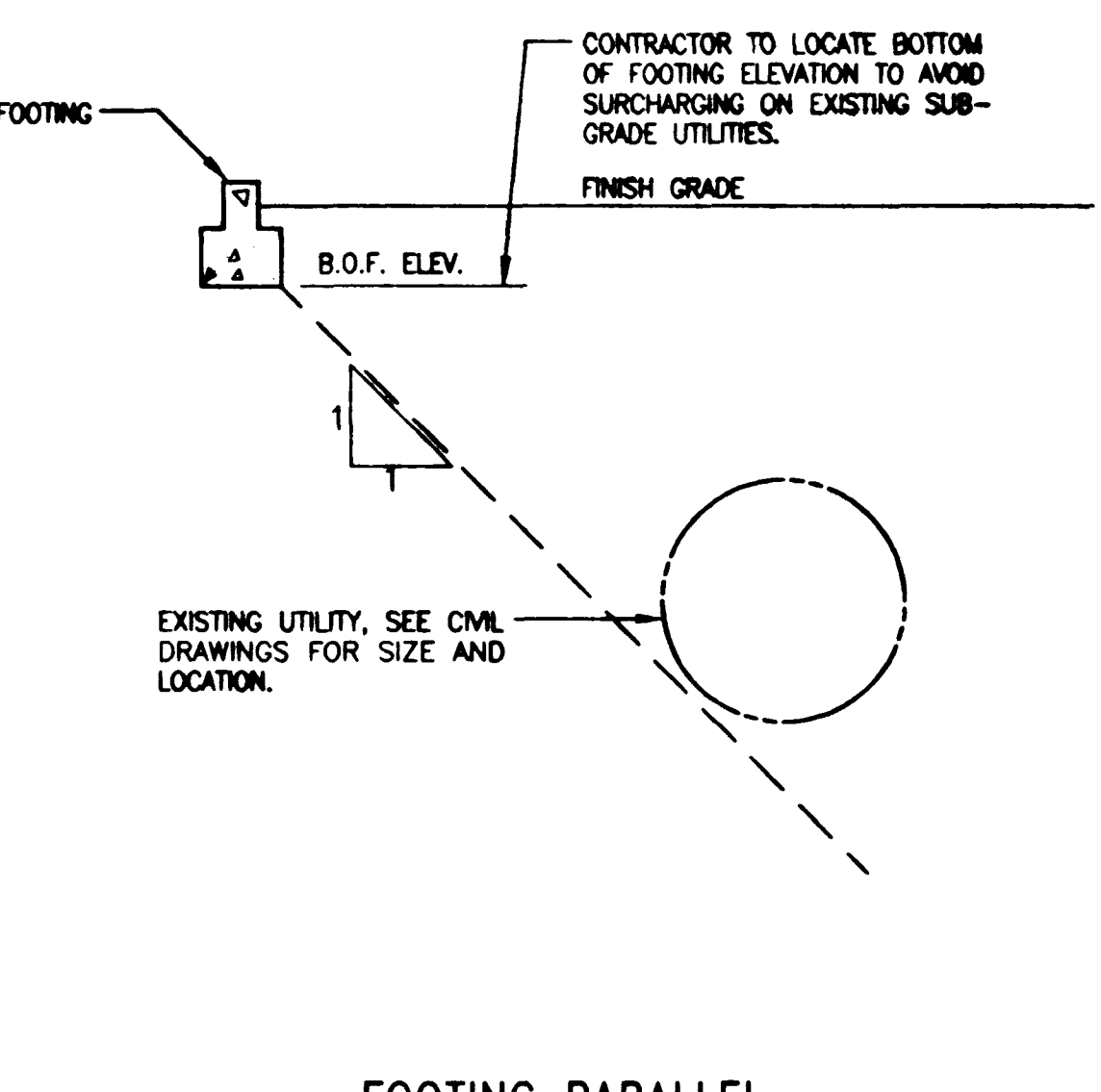
THICKENED SLAB AT NON-BEARING MASONRY WALL

DETAIL 9



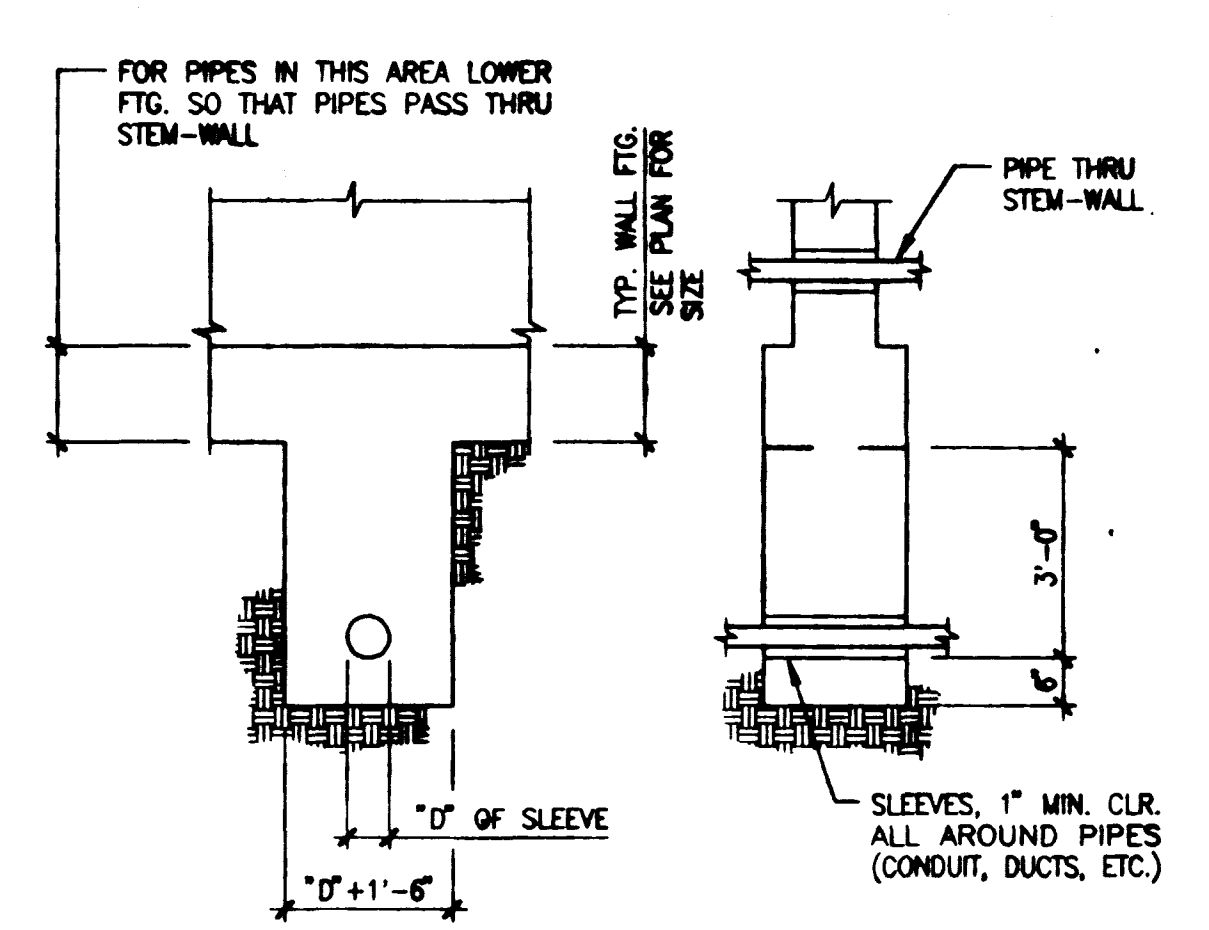
FOOTING AT WALL OPENING

DETAIL 6



FOOTING PARALLEL TO EXISTING UTILITY

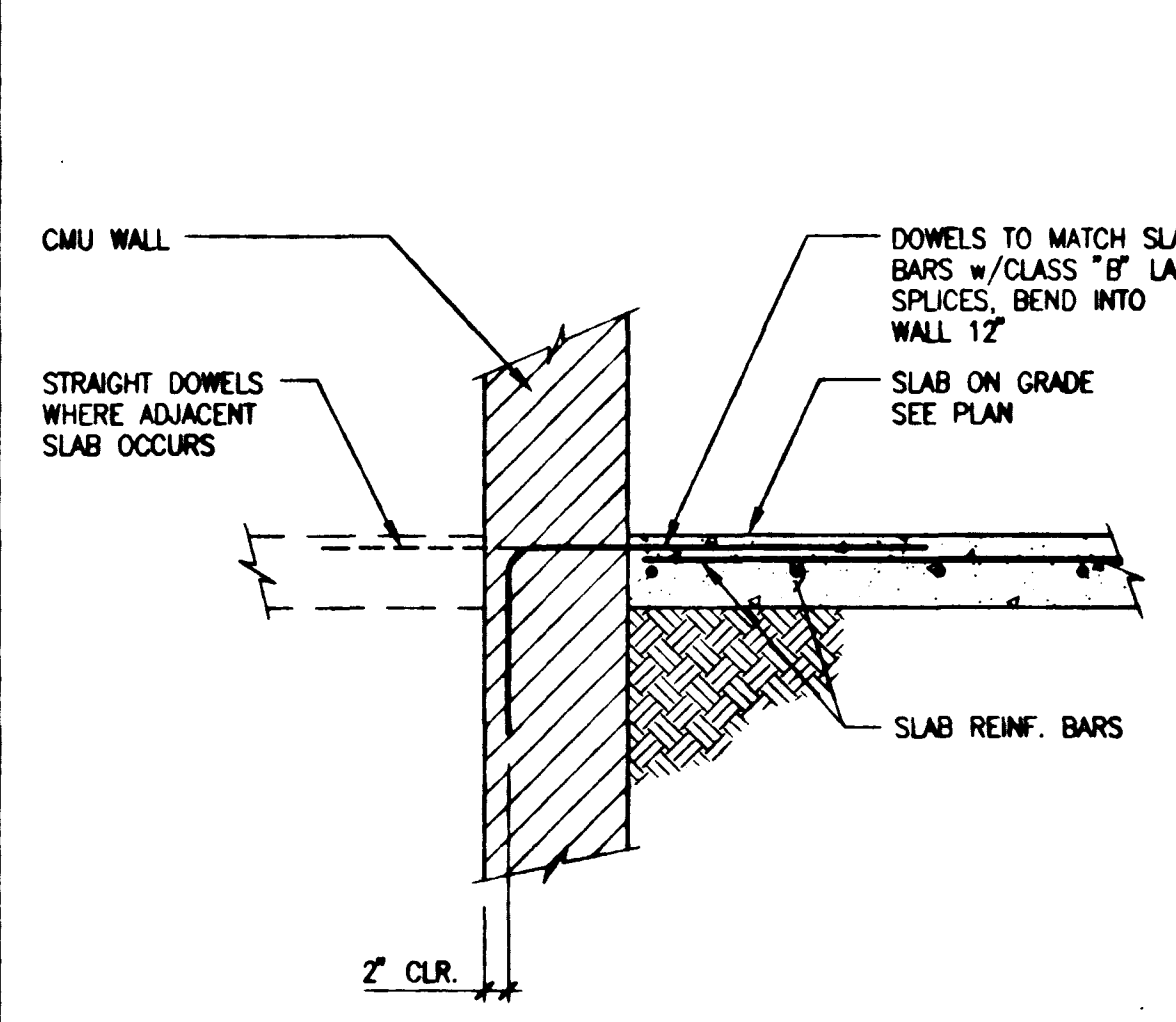
DETAIL 3



EXCAVATION PERPENDICULAR TO FOOTING

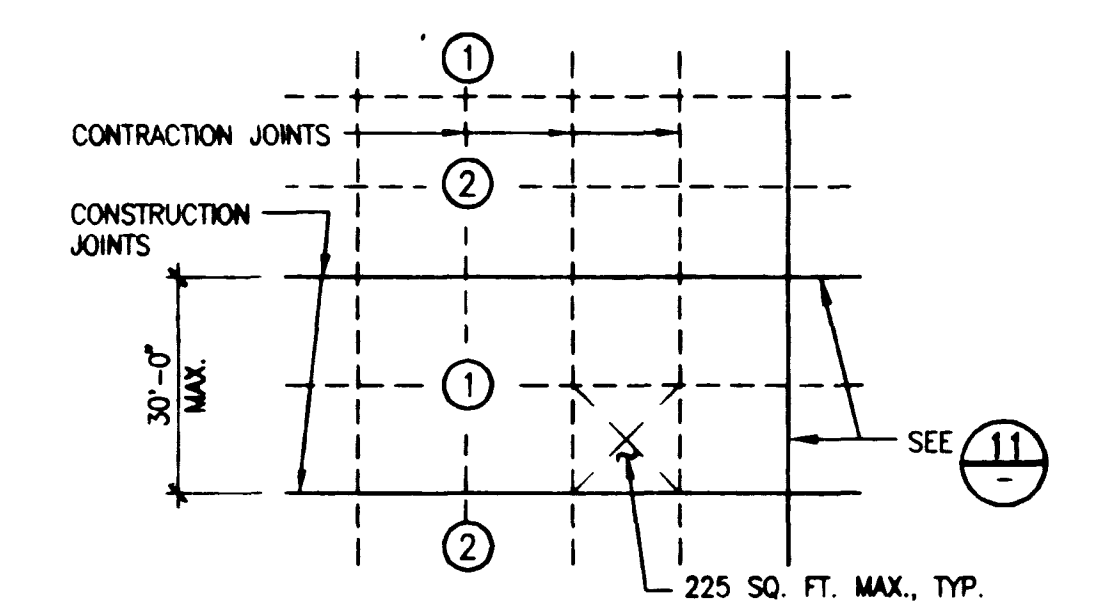
DETAIL 1

NOTES:
FOR PIPES 3'-0" OR LESS BELOW BOTT. OF FTGS. PROVIDE SLEEVE AND CONC. AS SHOWN, MORE THAN 3'-0" USE STEPPED FTG. TO STAY WITHIN 3'-0" LIMIT.



DOWELS TO SLAB

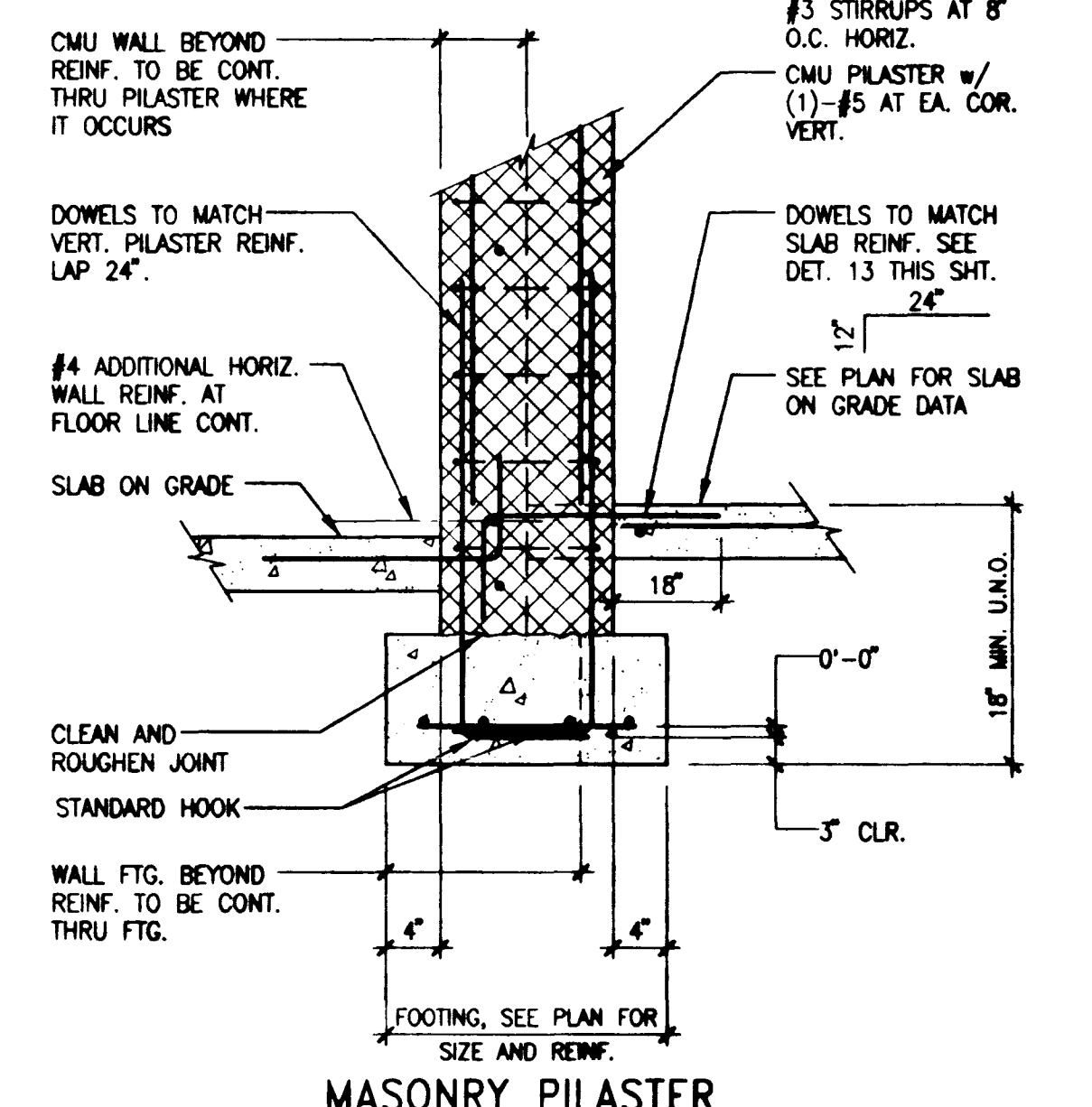
DETAIL 13



METHOD OF POURING SLAB ON GRADE

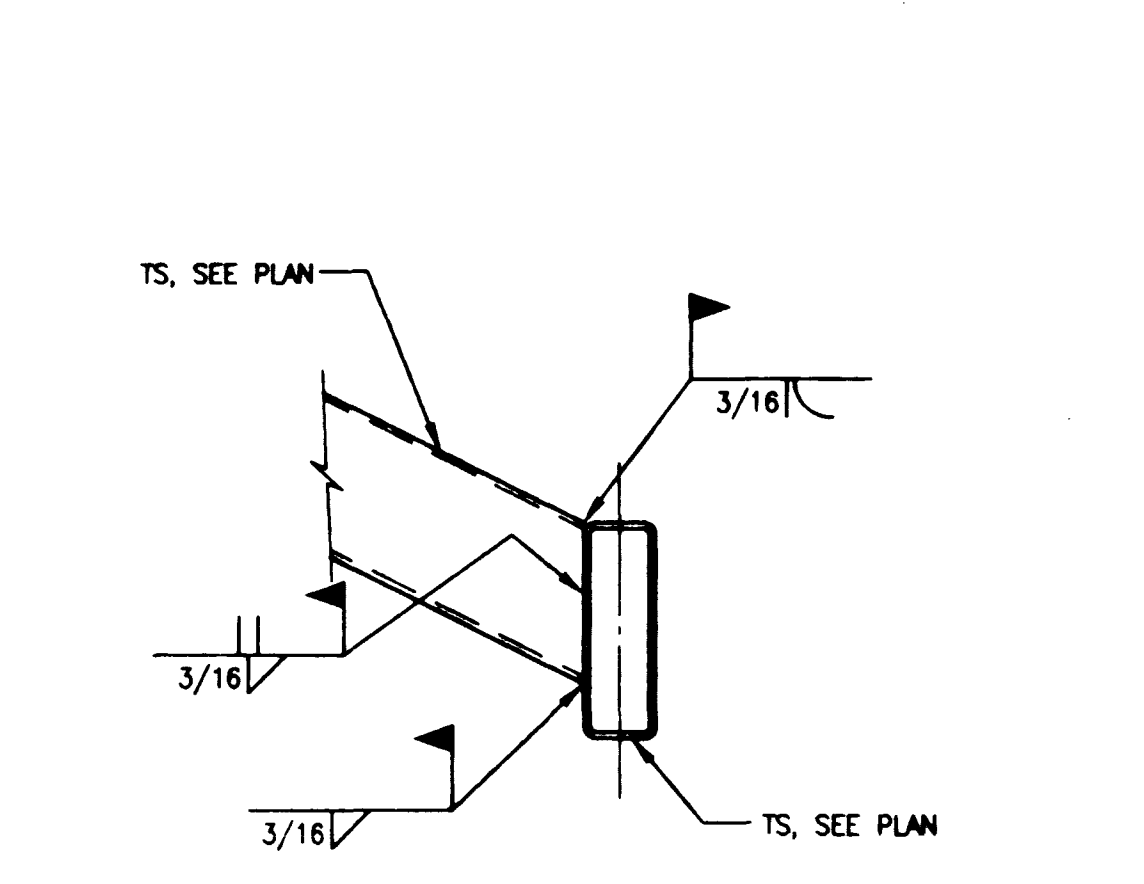
DETAIL 10

NOTES:
1. SLAB SHALL BE POURED IN STRIP PATTERN. ① = FIRST POUR ② = SECOND POUR.
2. STRIPS TO BE DIVIDED BY CONSTRUCTION JOINTS AT THE CENTERLINE OF COLS. AND SUBDIVIDED AS REQ'D. INTO AREAS NOT EXCEEDING 225 SQ. FT. BY CONSTRUCTION JOINTS.
3. IN AREAS WHERE COLUMNS DO NOT OCCUR PROVIDE CONSTRUCTION AND/OR CONSTRUCTION JOINTS AS ABOVE.
4. CONTRACTORS SHALL OBTAIN ARCHITECT'S APPROVAL FOR ALL JOINT LOCATIONS.



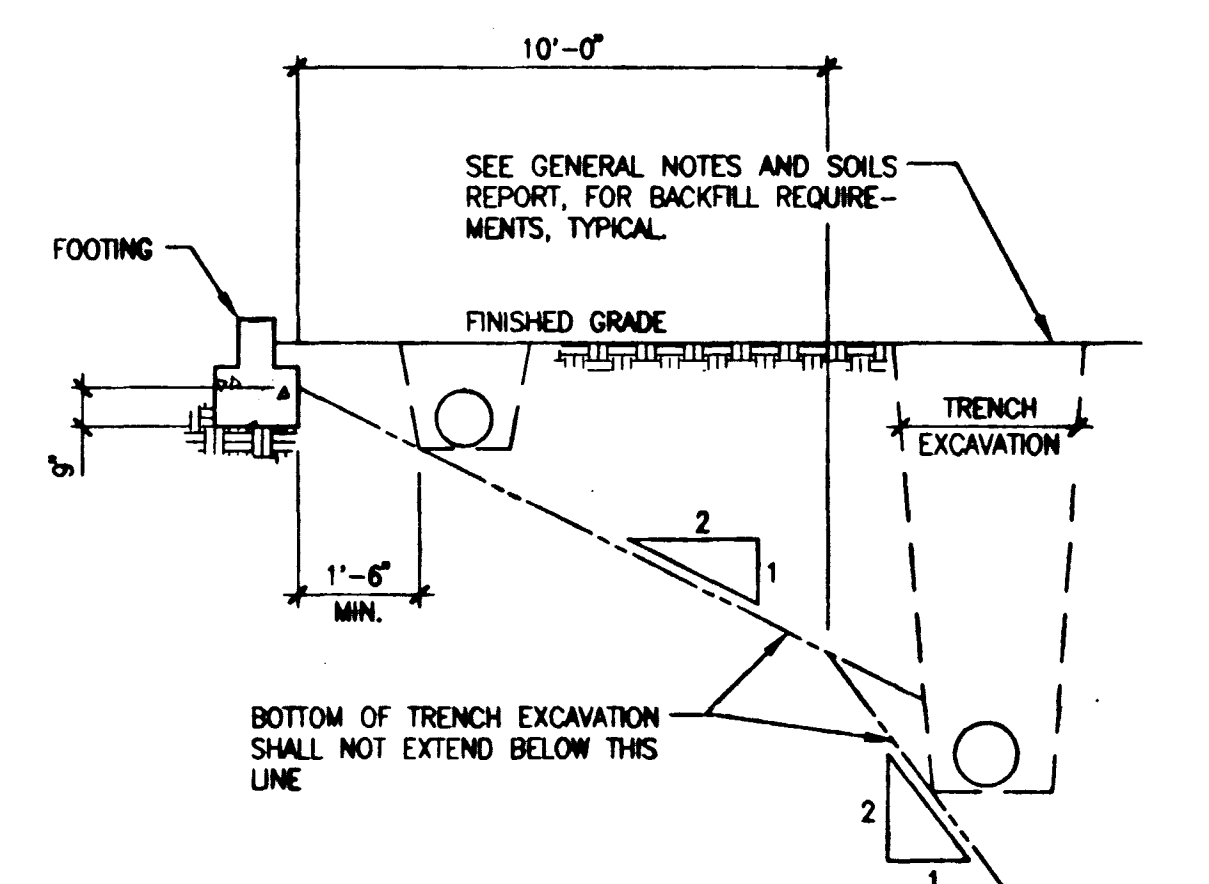
MASONRY PILASTER

DETAIL 7



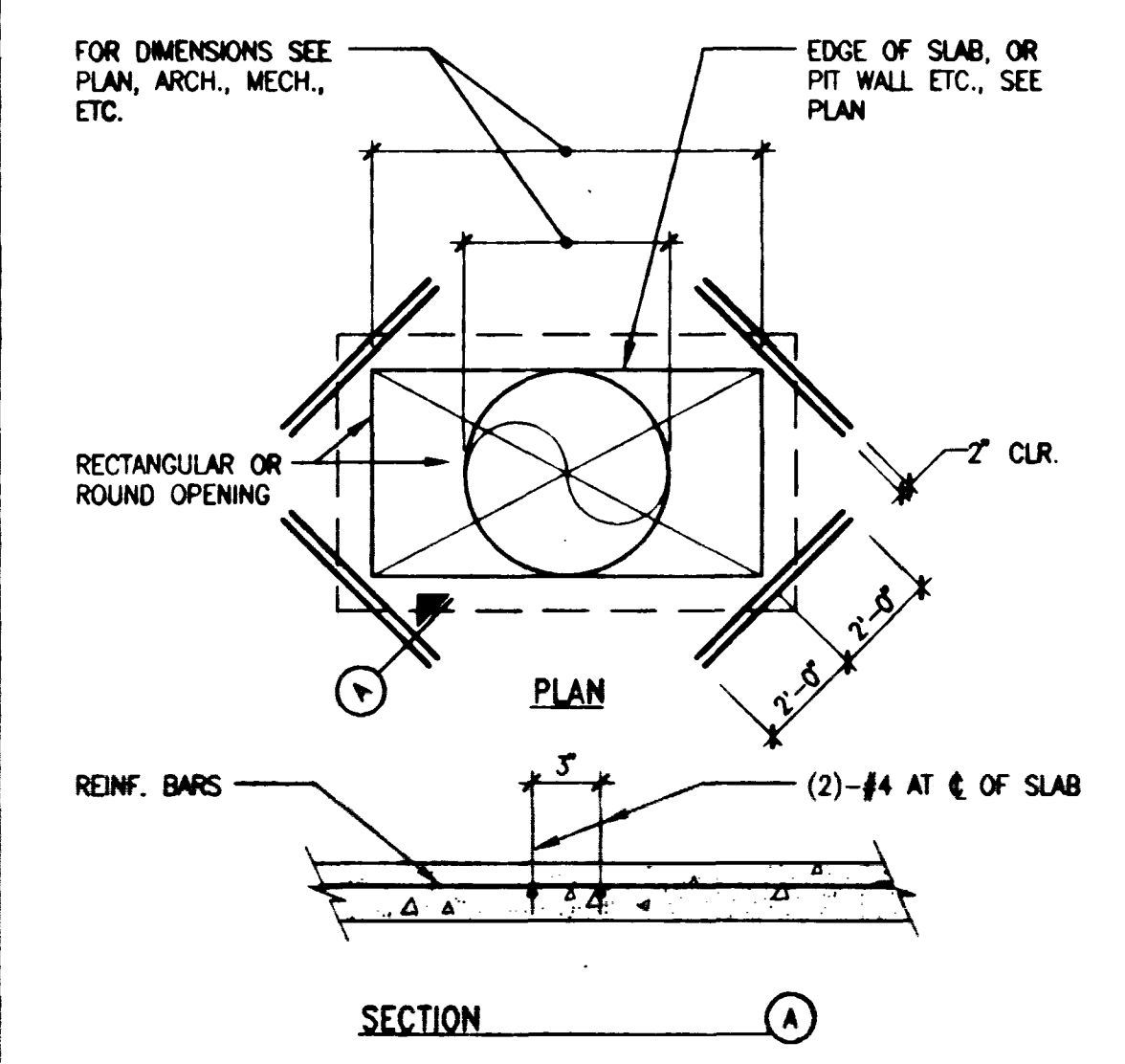
EXCAVATION PARALLEL TO FOOTING

DETAIL 4



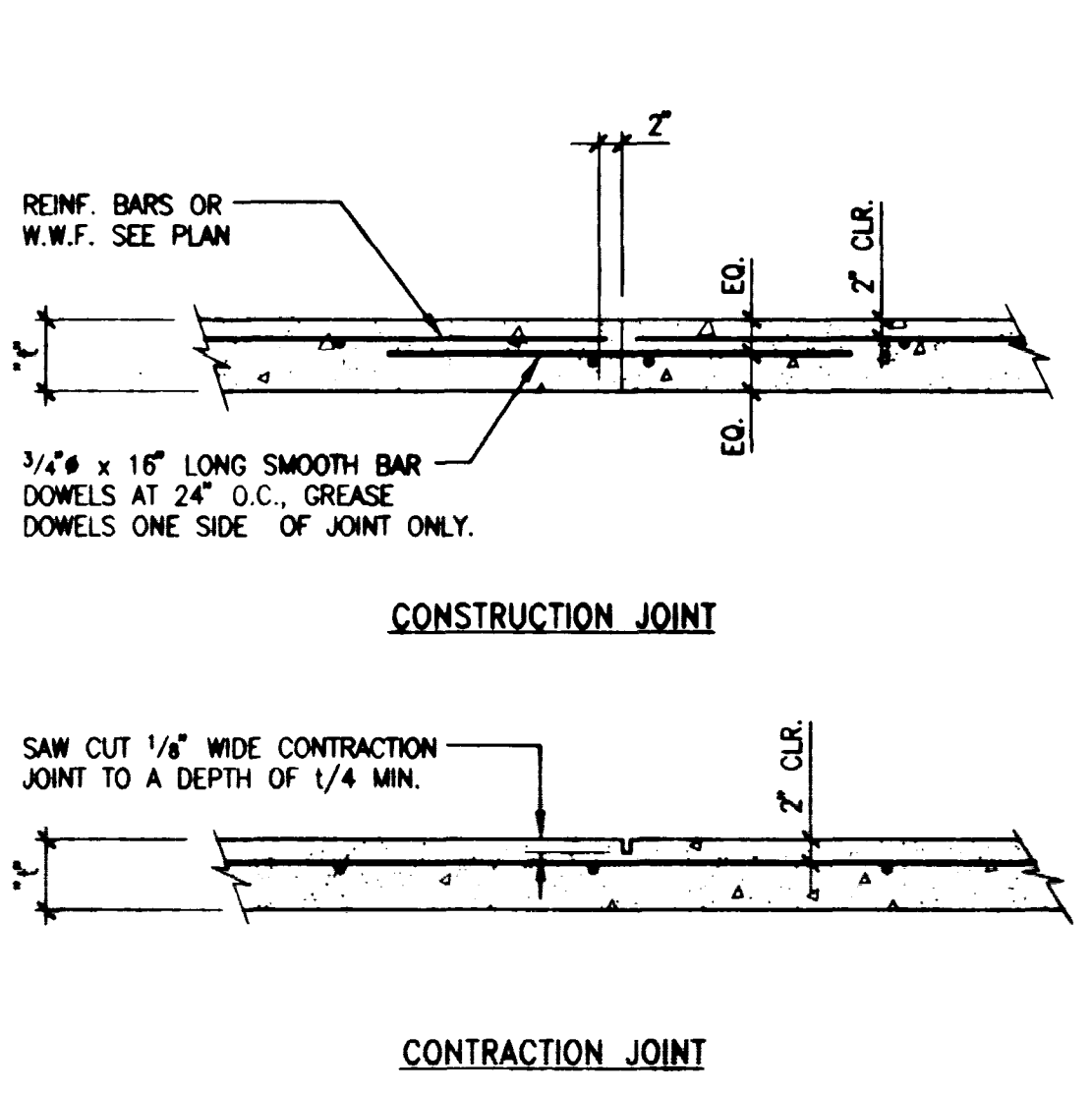
NOTES:
THE CONTRACTOR SHALL COORDINATE ALL EXCAVATION OPERATIONS WITH BUILDING FOUNDATION REQUIREMENTS.

DETAIL 2



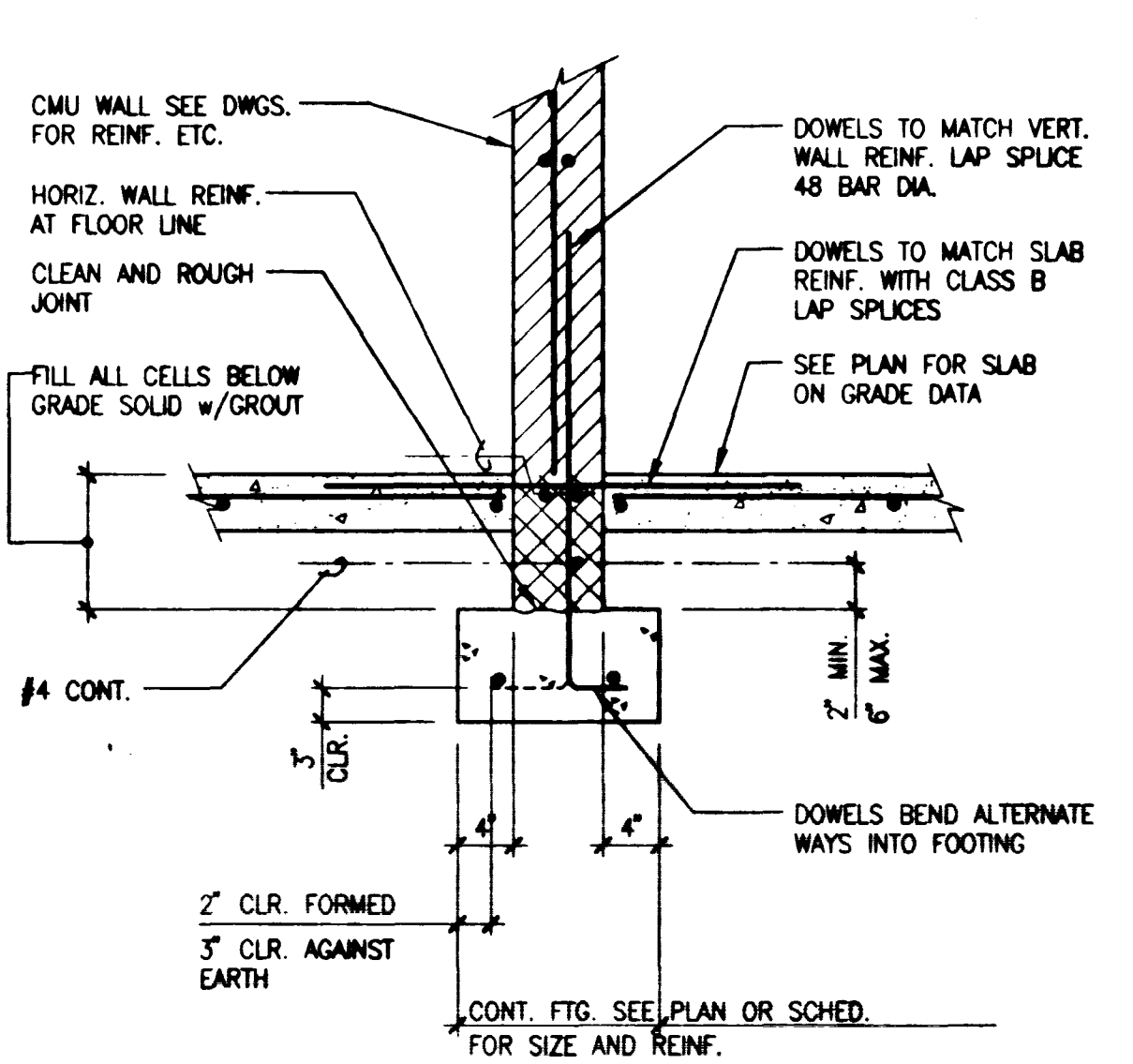
OPENING IN SLAB ON GRADE

DETAIL 14



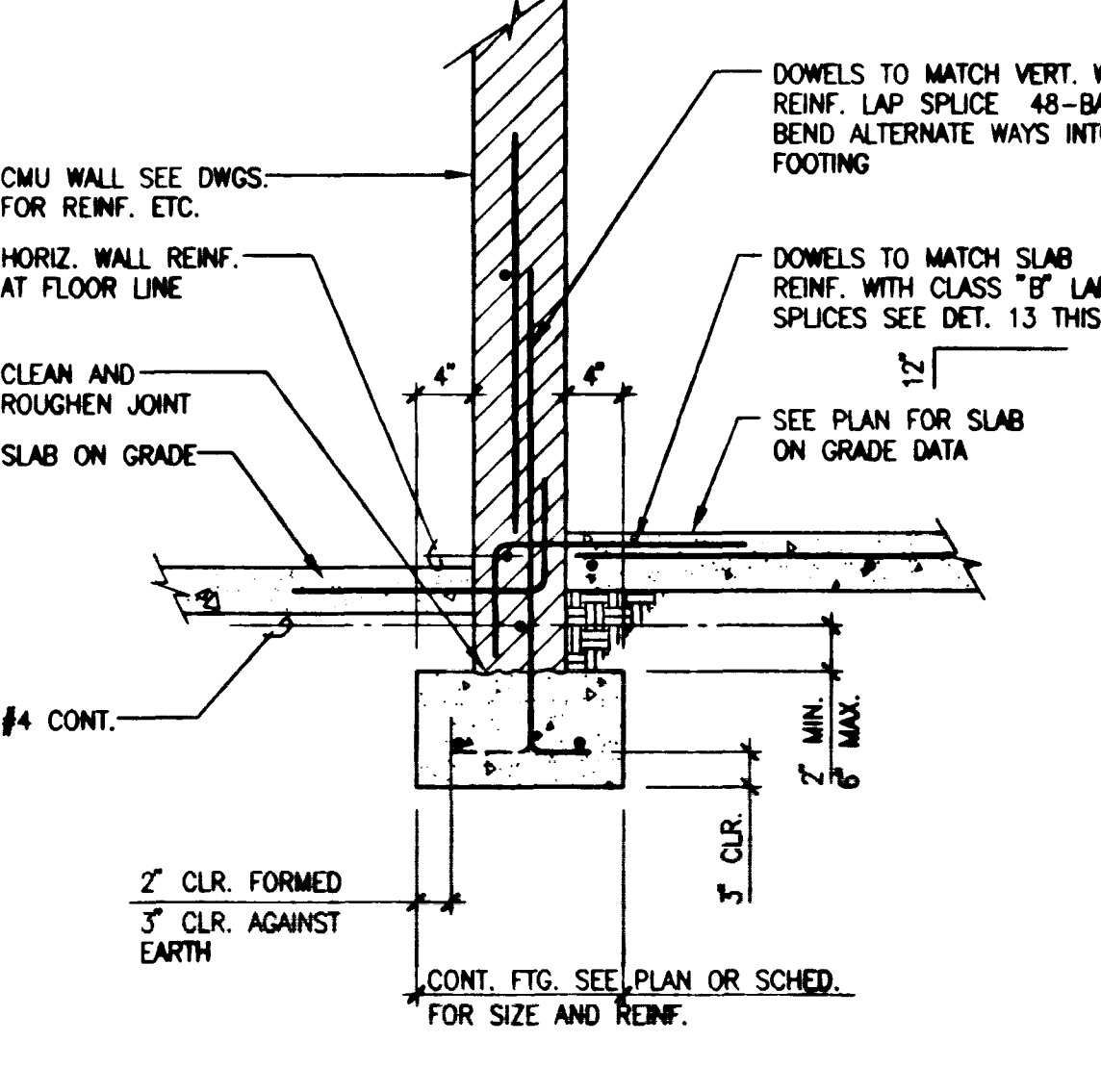
JOINTS IN SLAB ON GRADE

DETAIL 11



INTERIOR CMU WALL FOOTING

DETAIL 8



EXTERIOR WALL FOOTING

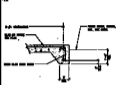
DETAIL 5

DATE:	
REVISIONS:	
DESIGN BY: JFU	
DRAWN BY: DUANE	
DATE: 7/97	
FIELD BOOK	
AS NTD.	
SCALE:	
PROJECT:	ARCHITECTURAL SERVICES
PROJECT:	Torrey Pines Park & Ball Field
SHEET TITLE:	PARK-SECTIONS & DETAILS
SHEET NO.:	57



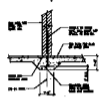
Alternate No. 1

BENNETT & JIMENEZ, INC.
STRUCTURAL ENGINEERS
B&J JOB NO.: 70721
2481 N. Decatur Blvd., Suite B Phone (702) 631-0200
Las Vegas, NV 89108 FAX (702) 631-0206



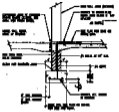
CROSS SECTION OF SLAB

DETAIL 12



REINFORCED SLAB AT NON-BEARING MASONRY WALL

DETAIL 13



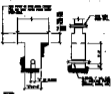
FOOTING AT WALL OPENING

DETAIL 14



FOOTING PARALLEL TO COLUMN CENTERLINE

DETAIL 15



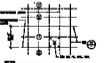
EXCAVATION PARALLEL TO COLUMN CENTERLINE

DETAIL 16



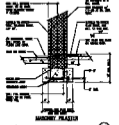
SECTION THROUGH SLAB

DETAIL 17



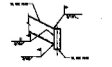
GRID OF COLUMNS AND BEAMS

DETAIL 18



MASONRY PIER SECTION

DETAIL 19

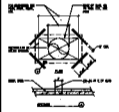


DETAIL 20



EXCAVATION PARALLEL TO FOOTING

DETAIL 21



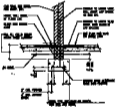
SECTION IN SLAB ON GRADE

DETAIL 22



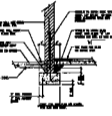
JOINT IN SLAB ON GRADE

DETAIL 23



INTERIOR WALL FOOTING

DETAIL 24



EXTERIOR WALL FOOTING

DETAIL 25

Alternate No. 1

HERBERT & BISHOP
 ARCHITECTS
 1000 ...
 ...

DEPARTMENT OF PUBLIC WORKS
 Turley Plaza Park
 & Ball Field
 ARCHITECTURAL SERVICES
 S4