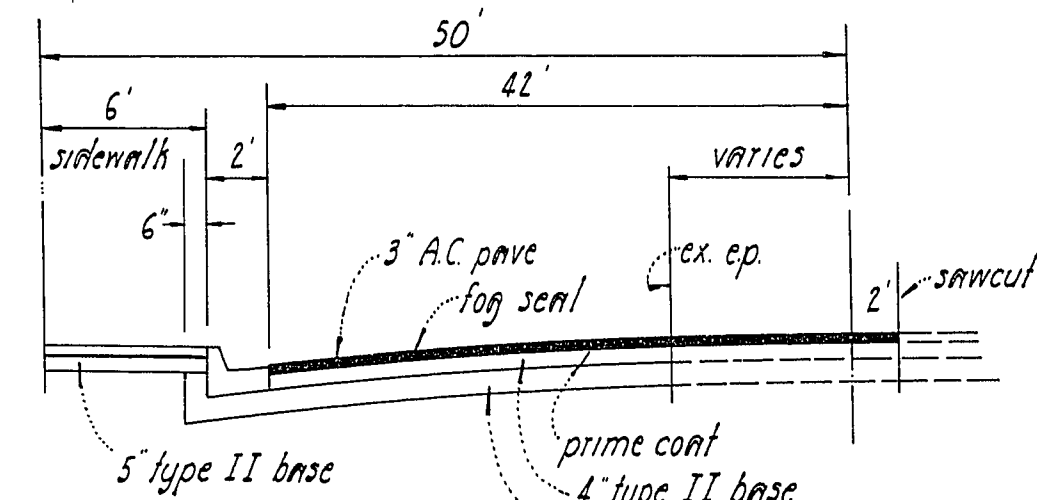


SMOKE RANCH ROAD

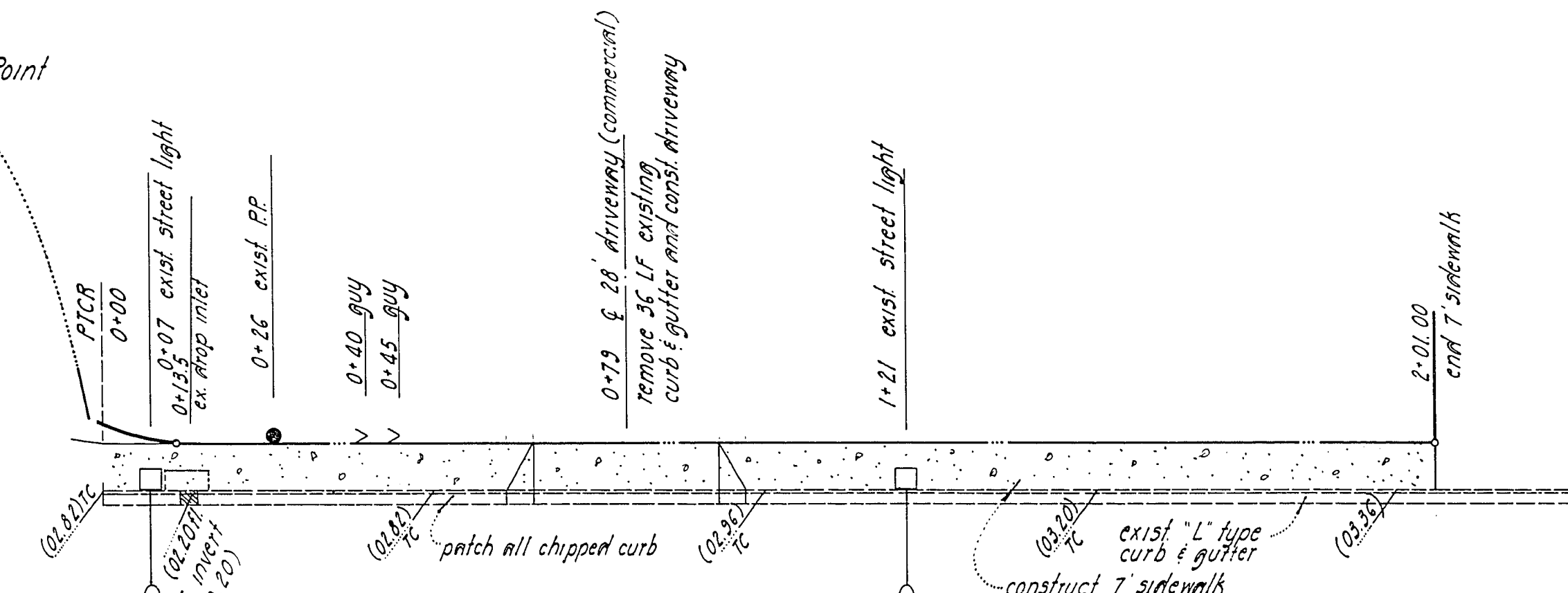
2-13-81
 Michael B. Olson

STREET LIGHTING NOTES:
 Install type "E" foundation. Install adaptor per CLV Draw. # 404.409. Install 2" conduit from foundation to existing traffic signal box at intersection. Install street light pole per CLV Draw. #623L.0032 with 250 watt HPS street light. Pull 2-#4 wires to existing street light to the north.



1/2 SMOKE RANCH ROAD SECTION

Identical Point



DECATUR

BLVD.

GENERAL NOTES: All construction and materials shall be in accordance with the "Uniform Standard Specifications for Public Works Construction Off-Site Improvements, Clark County Area Nevada"; any other applicable approved standards issued by the controlling agency; the Uniform Building Code; and all local City Codes and Ordinances applicable.

BENCH MARK: City of Las Vegas No. 06024A1 in the top of curb on Decatur Boulevard. A bolt and plate. Elevation= 2202.88

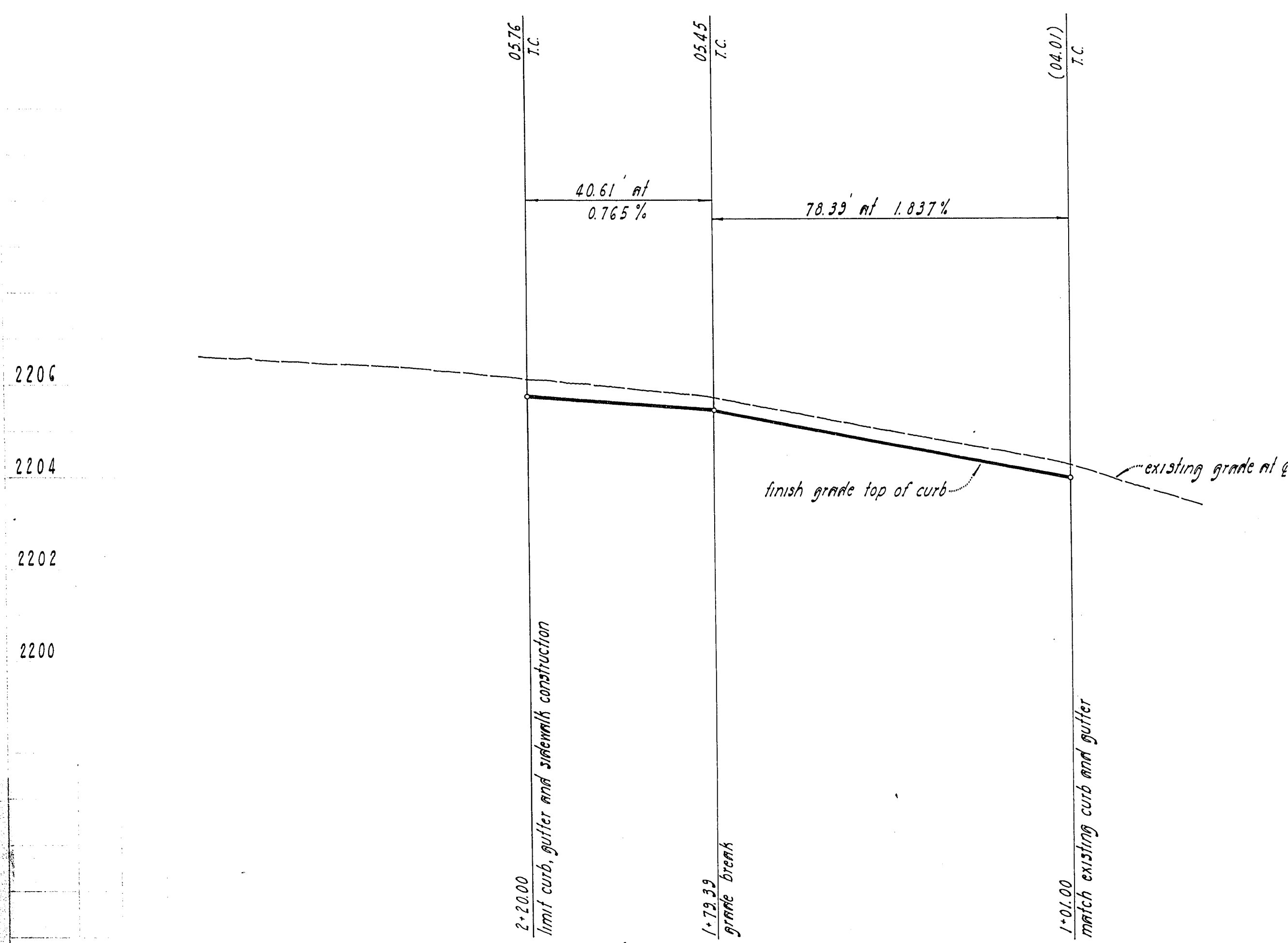
ESTIMATED QUANTITIES

3" A.C. paving----- 694 S.Y.
 type II gravel base----- 131 C.Y.
 type I gravel base----- 155 C.Y.

"L" type curb and gutter----- 198 L.F.
 4" concrete sidewalk-----2546 S.F.
 commerc'l driveway----- 444 S.F.
 type "I" foundation with
 250 watt HPS luminaire 1 ea

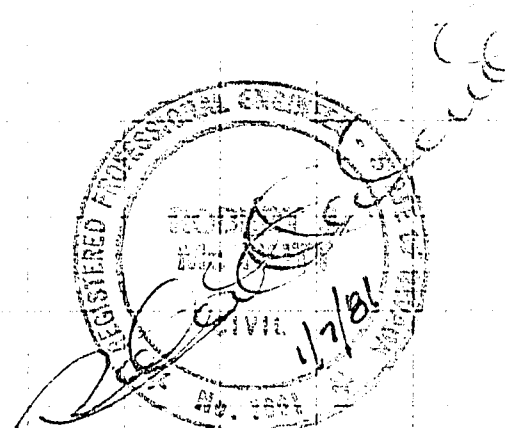
APPROVALS:

<i>[Signature]</i> CITY OF LAS VEGAS ENGINEER	2-11-81 DATE	<i>[Signature]</i> CITY LAS VEGAS QUALITY CONTROL	2-28-81 DATE
<i>[Signature]</i> NEVADA POWER CO	2-13-81 DATE	<i>[Signature]</i> CITY LAS VEGAS ELECT. DIVISION	2-29-81 DATE
<i>[Signature]</i> CITY LAS VEGAS TRAFFIC ENG.	2-11-81 DATE	<i>[Signature]</i> CITY LAS VEGAS FIRE MARSHALL	2-29-81 DATE
<i>[Signature]</i> CITY LAS VEGAS ELECT. COORDINATOR	2-19-81 DATE		



STREET DESIGN

STREET IMPROVEMENTS AT THE NW CORNER OF
 SMOKE RANCH ROAD & DECATUR BLVD
 SECTION 13 T. 20 S. R. 60 E. M. D. M. IN THE
 CITY OF LAS VEGAS NEVADA



Rev. 1.27.81 sah