

**NOTES :**

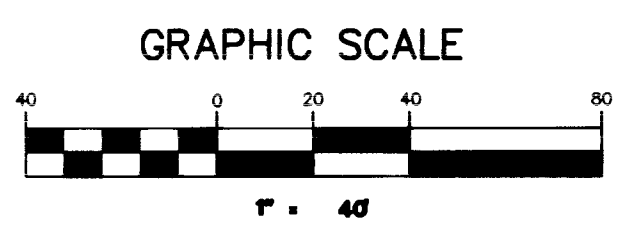
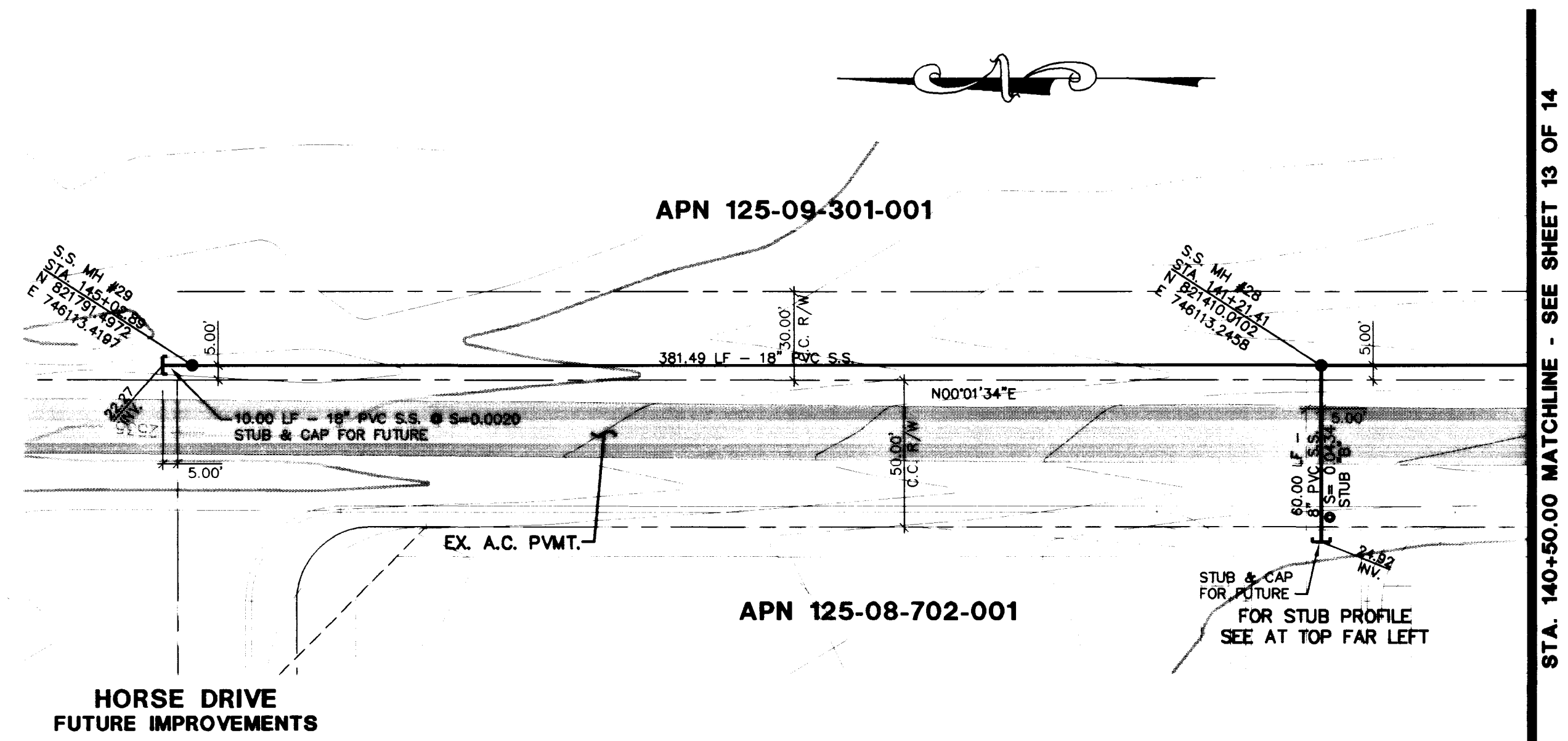
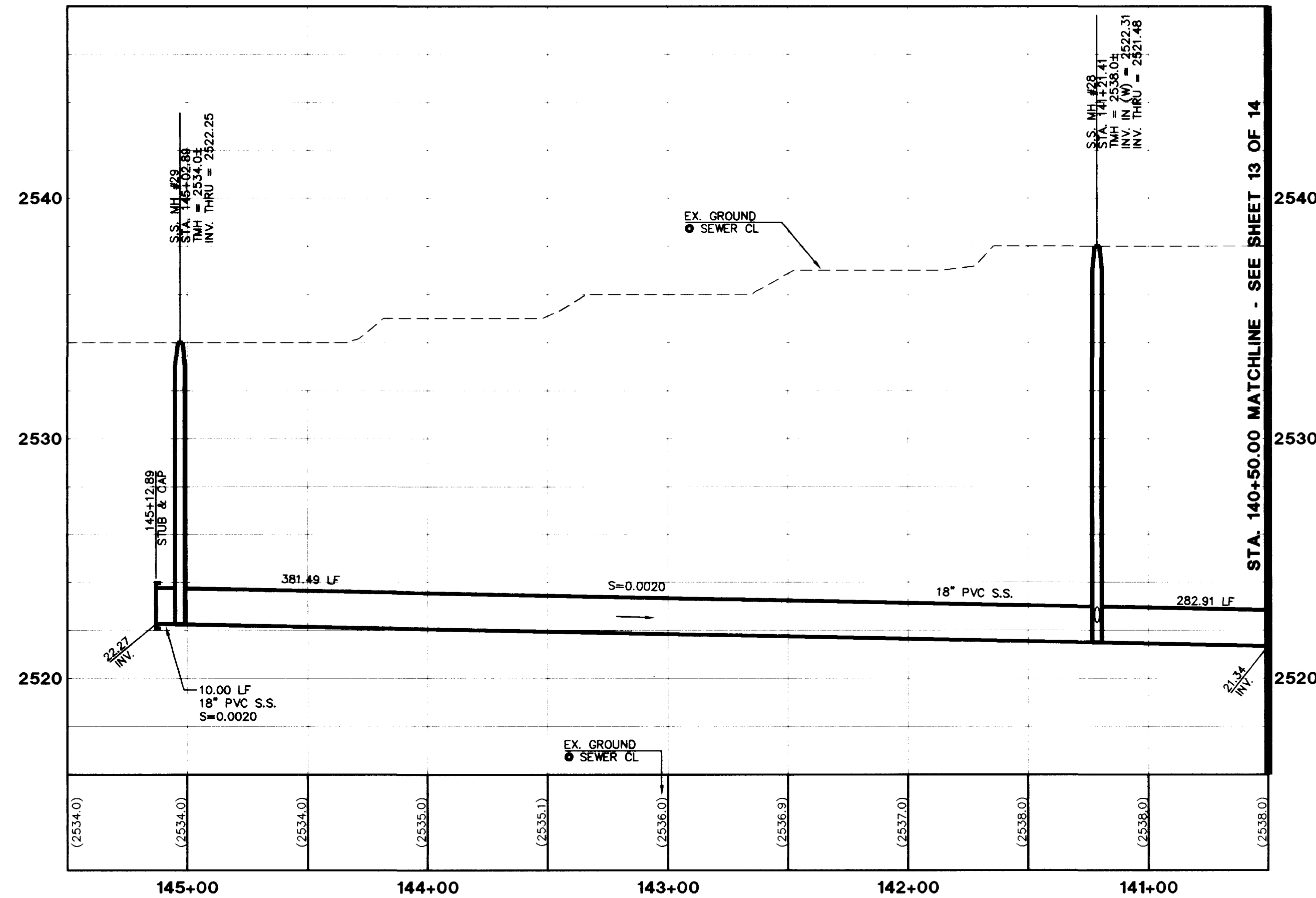
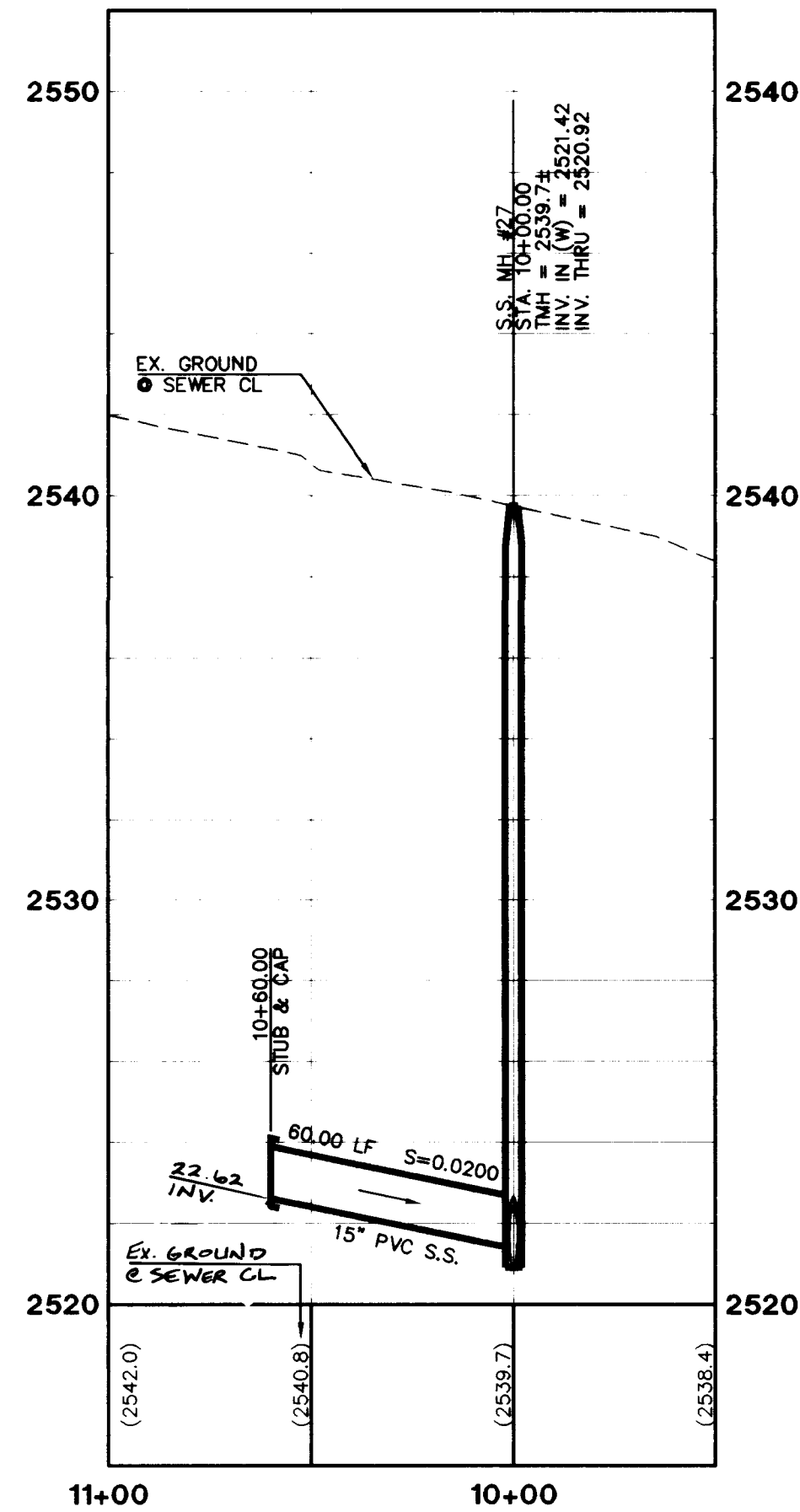
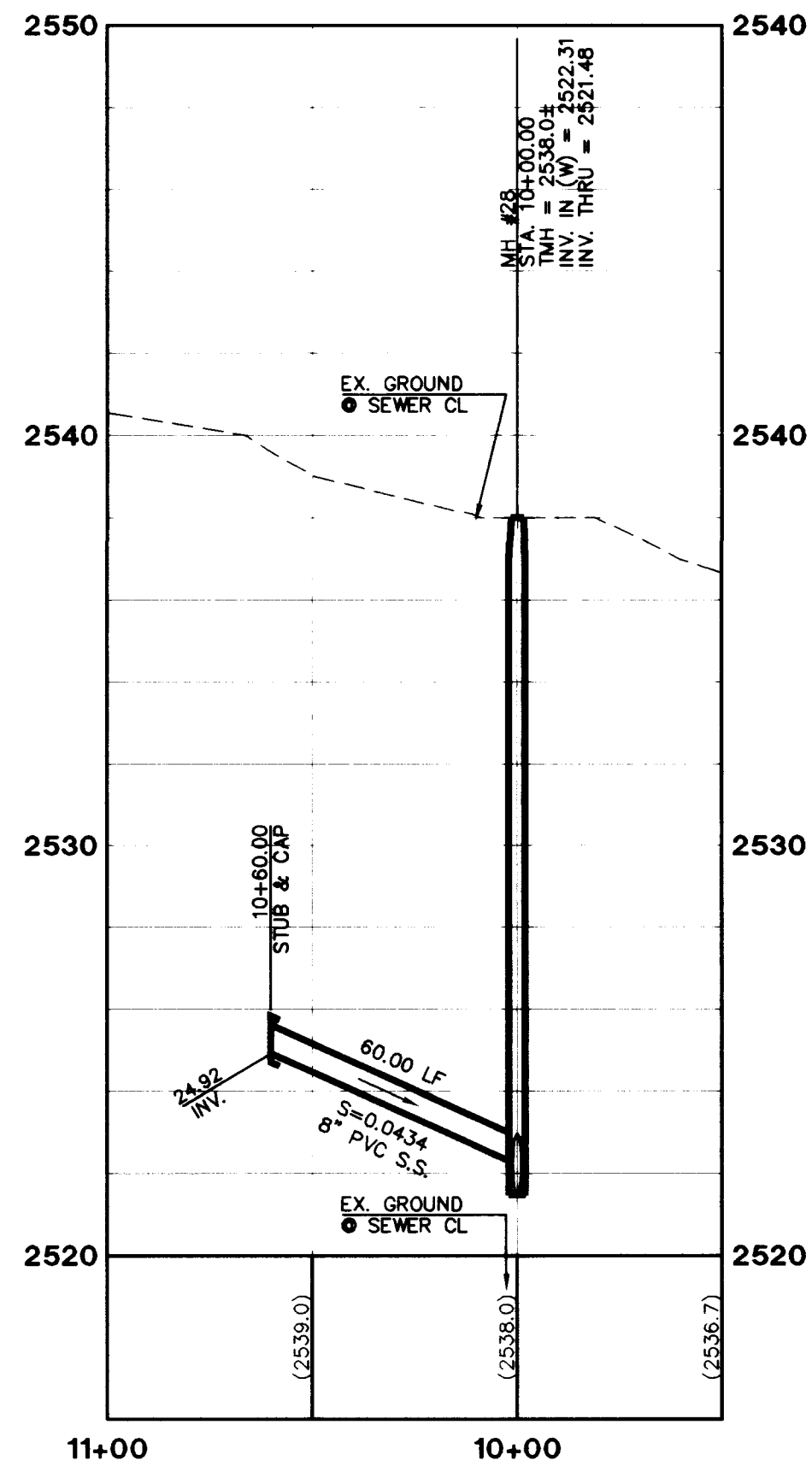
1. ALL STATIONING IS BASED ON SEWER LENGTHS FROM MANHOLE TO MANHOLE.
2. ALL WORK PERFORMED WITHIN CLARK COUNTY RIGHT OF WAY REQUIRES A CLARK COUNTY PERMIT.

**BENCHMARK**

CLV BM NO. 7, STA. 11V9017NES  
BLM BRASS CAP AT DURANGO DRIVE AND GRAND TETON DRIVE.  
ELEVATION = 2541.392 (NAVD 88)

Avoid cutting underground utility lines. It's costly.  
**Call before you Dig**  
1-800-227-2600

Avoid overhead power line contact.  
**Call before you OVERHEAD**  
1-702-593-6111



**SOUTHWEST COMMUNITIES, INC.**  
980 BROADBENT BOULEVARD  
HENDERSON, NEVADA 89014  
CITY OF LAS VEGAS, NEVADA

REV	DATE	BY	REVISION
1			
2			
3			

CONSULTING ENGINEERS • PLANNERS • LAND SURVEYORS  
2727 SOUTH RAINBOW BOULEVARD  
LAS VEGAS, NEVADA 89102-5148 PHONE (702) 873-7550 FAX (702) 362-2597

**vtm nevada**

**PLAN AND PROFILE**  
**DURANGO DRIVE**  
**STA. 140+50.00 TO STA. 145+12.89**

**PROJECT**  
**SPRING MOUNTAIN RANCH**  
**(OFFSITE SEWER - ALTERNATE "B")**

SEAL  
THOMAS E. HAYES  
REGISTERED CIVIL ENGINEER  
NO. 9426  
8/15/97

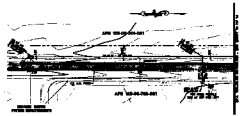
WO NO. **5069**  
BY **dtb**  
DATE **APRIL 1997**  
SCALE HORIZ. 1" = 40'  
SCALE VERT. 1" = 4'  
SHEET **14** OF 14 SHEETS



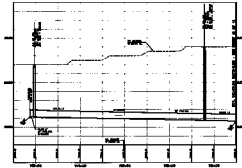
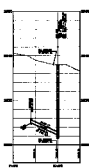
STUB "S"



STUB "A"



DURANGO DRIVE



NEVER  
 Call  
**OVERHEAD**  
 100000

WARNING  
 THIS IS A DANGER  
 WARNING - KEEP AWAY FROM  
 LINES - 200000 VOLTS

DANGER  
 "DANGER"  
 "DANGER"



**PLAN AND PROFILE**  
 DURANGO DRIVE  
 STA. 140+00.00 TO STA. 145+12.00  
 SPRING MOUNTAIN RANCH  
 SPRING BRANCH - ALTIMIRATE, UT

ENGINEERING & SURVEYING COMPANY, INC.  
 1000 N. 1000 W.  
 SALT LAKE CITY, UT 84119  
 PHONE: (801) 466-1000  
 FAX: (801) 466-1001  
 WWW: WWW.ES&S.CO.UT

14  
 100000