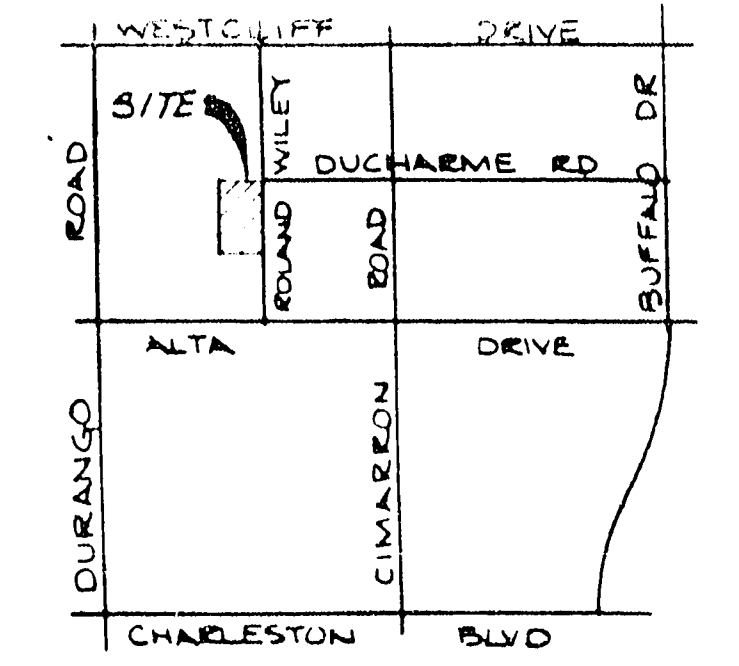
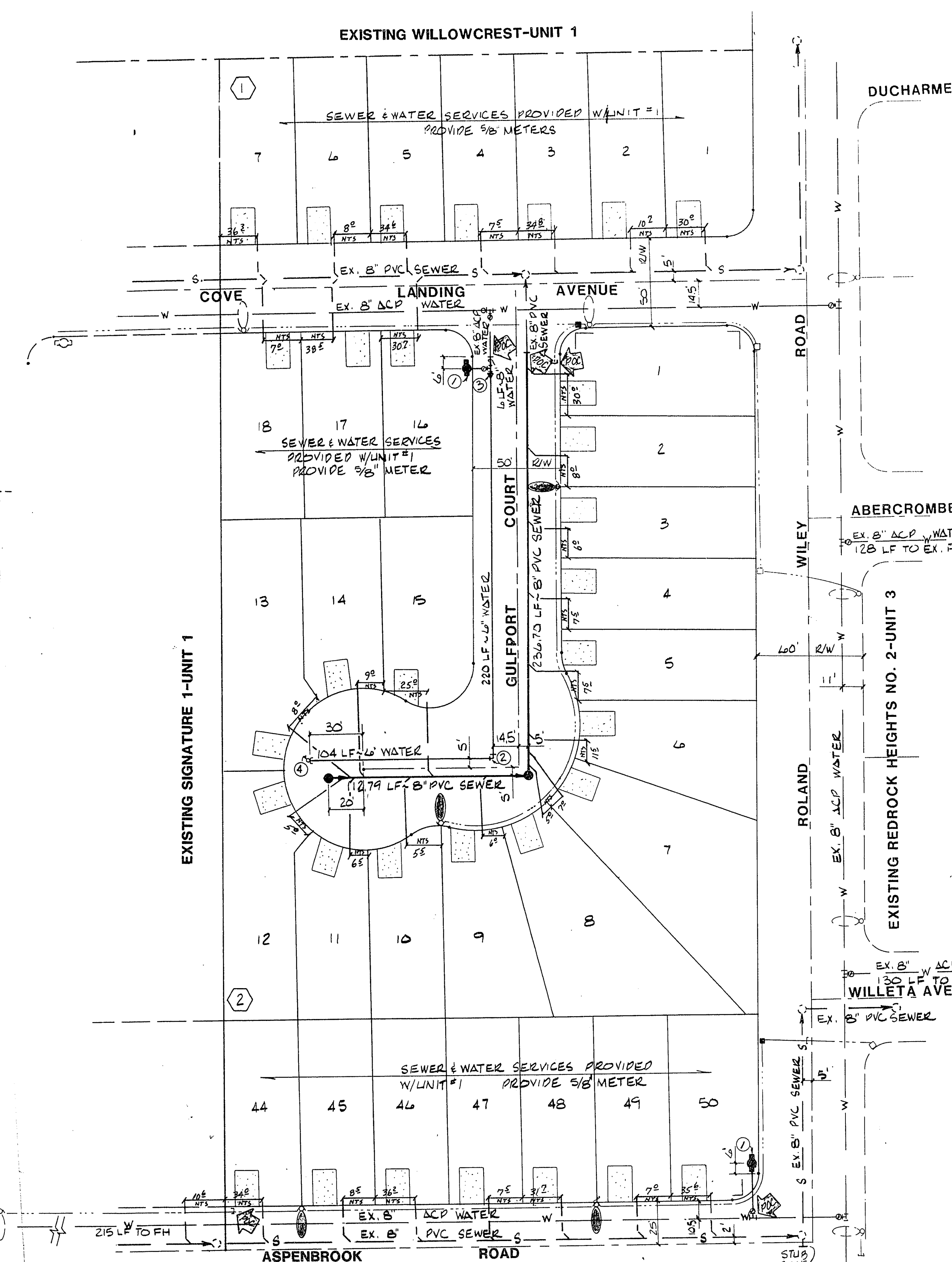


SEWER LATERAL AS-BUILTS

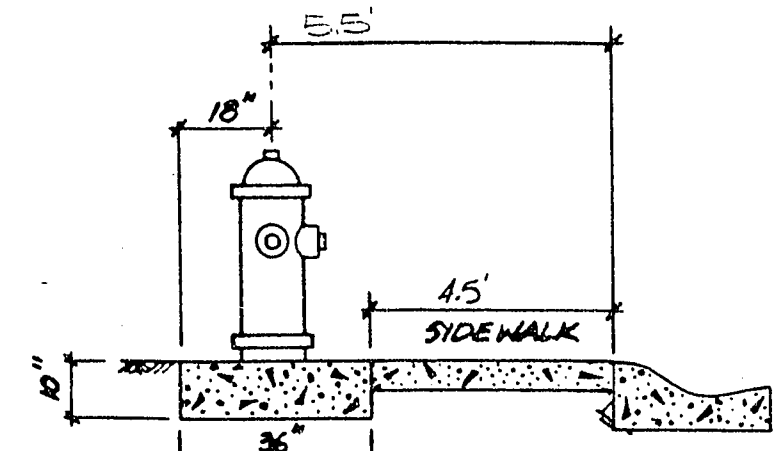


VICINITY MAP



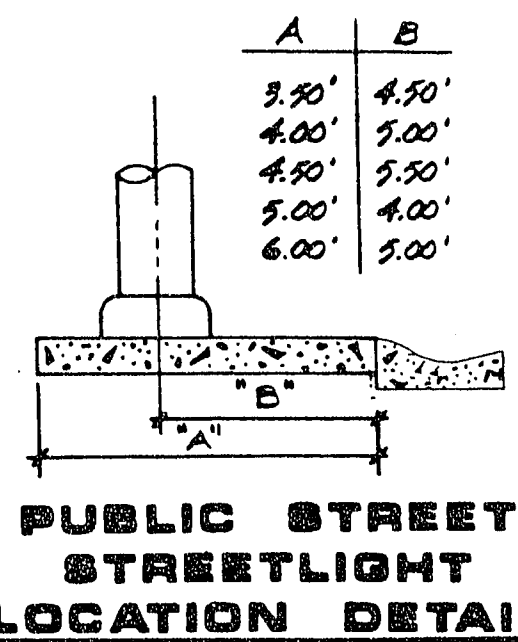
SEWER LATERAL 'AS-BUILT' CERTIFICATION

GENE D. KRAMER MAUER, P.L.S.
NEVADA CERT. NO. 8201
7/3/89



FIRE HYDRANT LOCATION DETAIL

- FIRE DEPARTMENT NOTES
- All work shall be done in strict accordance with the City of Las Vegas Fire Department "Hydrant Specifications", "Hydrant Installation Specifications" and Ordinance #3318.
 - Authorized hydrants for this project are:
A - Kennedy Guardian
B - Mueller A-423 Centurian
C - Clow Model 2546 Medallion
 - On any new home or building construction, accessible fire hydrants shall be installed before combustible construction commences and said fire hydrants shall be in good working order with an adequate water supply.
 - Contractor shall place a green reflective marker at centerline of street adjacent to fire hydrants.
 - Call the Las Vegas Fire Department at 383-2888 for underground inspection, pressure and flush verification of all fire hydrants and fire lines before covering.
 - Painting of the curbs and hydrant and any work necessary for protection of hydrants from physical damage per Ordinance #3318 shall be completed before approval by the City of Las Vegas Fire Department.
 - A permit is required from the Fire Department for water line and fire hydrant installations on the private side of the meter.
 - A flow test must be witnessed by the Fire Department for verification of on-site water supply.
 - All on-site fire main materials must be U.L. listed and F.M. approved.
 - Fire hydrant spacing:
Residential - 600 ft. Maximum
Commercial, including multi-family - 500 ft. Maximum
Fire hydrants shall be located within 500 ft. of any construction or combustible open storage.
 - No fire hydrant shall be located within the required radius of a cul-de-sac or within 20 ft. of the perimeter of the radius of the cul-de-sac.
 - No fire hydrant shall be located within 6 ft. of any curb return, driveway, power pole, street light or any other obstruction.
 - Ensure that fire hydrants are connected to a dependable water supply capable of supplying the required fire flow.



PUBLIC STREET STREETLIGHT LOCATION DETAIL

CLV STREETLIGHT NOTES
ALL STREET LIGHT INSTALLATIONS SHALL CONFORM TO THE STANDARD DETAILS AND SPECIFICATIONS OF THE CITY OF LAS VEGAS, AND SHALL ALSO CONFORM TO THE UNIFORM STANDARD SPECIFICATIONS FOR PUBLIC WORKS CONSTRUCTION OF OFF-SITE IMPROVEMENTS, CLARK COUNTY AREA, LATEST EDITION, UNLESS OTHERWISE NOTED.

Call before you Dig
1-800-227-2600

- LAS VEGAS VALLEY WATER DISTRICT
- ALL WORK TO CONFORM TO LAS VEGAS VALLEY WATER DISTRICT LATEST STANDARD PLATES AND SPECIFICATIONS.
 - ALL WORK, EXCEPT AS MODIFIED HEREON OR BY NOTE NO. 1, SHALL BE DONE IN ACCORDANCE WITH THE MOST CURRENT DRAFT OR EDITION OF UNIFORM STANDARD SPECIFICATIONS FOR PUBLIC WORKS CONSTRUCTION OFFSITE IMPROVEMENTS CLARK COUNTY AREA.
 - NOTICE TO BE GIVEN ENGINEERING DEPARTMENT OF THE LAS VEGAS VALLEY WATER DISTRICT 48 HOURS PRIOR TO ACTUAL CONSTRUCTION.
 - SERVICE SADDLES OR TAPPED COLLARS WILL BE REQUIRED ON ALL 2 1/4" AND 1" SERVICE LATERALS. SERVICE SADDLES ONLY WILL BE PERMITTED ON 1 1/2" AND 2" SERVICE LATERALS. DOUBLE TAPPED COLLARS ARE NOT PERMITTED.
 - ALL LINES TO BE PRESSURE TESTED TO 200 PSI.
 - DEFLECTION ANGLE SHALL NOT EXCEED 2 1/2 DEGREES PER 10 FOOT SECTION OF PIPE FOR PIPE SIZES SMALLER THAN 14" INCHES, AND SHALL NOT EXCEED 2 DEGREES FOR PIPE SIZES BETWEEN 14" AND 16".
 - ALL METERS SHALL BE LOCATED OUTSIDE OF DRIVEWAYS.
 - DEFLECTOR TAPE REQUIRED IN ACCORDANCE WITH STANDARD PLATE NO. 27 MESH INDICATED AS FOLLOWS:
A. OVER ALL MAINS NOT INSTALLED AT 6 FEET FROM BACK OF CURB.
B. OVER ALL SERVICE LATERALS NOT INSTALLED AT RIGHT ANGLES TO MAINS.
 - INSTALL SERVICE LATERALS PER LVWD STD. PLATE 102 (A).
 - CALL BEFORE YOU DIG-1-800-227-2600.

BENCH MARK
C.C. BENCH MARK NO. C00SW33 NEVADA
POWER CO. BRASS CAP S.W. CORNER OF
SECTION 33 - T.20S., R.80E.
ELEVATION: 2645.01'
EQUATION: C.C. DATUM - 2.04' C.L.V. DATUM.

UNDEVELOPED

- CLV SEWER NOTES
- ALL SANITARY SEWER INSTALLATION SHALL CONFORM TO THE STANDARD DETAILS AND SPECIFICATIONS OF THE CITY OF LAS VEGAS, AND SHALL ALSO CONFORM TO THE UNIFORM STANDARD SPECIFICATIONS FOR PUBLIC WORKS CONSTRUCTION OF OFF-SITE IMPROVEMENTS, CLARK COUNTY AREA, LATEST EDITION, UNLESS OTHERWISE NOTED.
 - CHISEL "S" OR "C" IN CURBS WHERE SEWER OR GAS LATERALS PASS UNDER THE CURB.
 - POLYVINYL CHLORIDE (PVC) SEWER PIPE SHALL MEET ASTM D-3034 SDR 35 SPECIFICATIONS AND INSTALLED WITH SAND BEDDING AND BACKFILL OR TYPE II GRAVEL.
 - ALL MANHOLES IN PAVED STREETS 80' R/W AND LARGER, SHALL HAVE CONCRETE COLLARS.
 - TEE SADDLES SHALL BE USED TO CONNECT SEWER LATERALS TO EXISTING MAIN LINES UP TO 12" DIA. SIZE CONNECTIONS TO 15" OR LARGER MAINS SHALL REQUIRE SPECIAL PROCEDURES.
 - A SEWER MAIN CROSSING OVER A WATER MAIN OR LESS THAN 18" UNDER A WATER MAIN MUST BE REINFORCED CONCRETE ENCASED PIPE FOR A DISTANCE NOT LESS THAN TEN FEET (10') TO EACH SIDE OF THE CENTERLINE OF THE WATER MAIN.

LAS VEGAS FIRE DEPARTMENT

Fire Flow Requirement 1617 gallons per minute at 20 pounds per square inch residual.

Based on:

Square footage 2082

Largest area between area separation walls 2082

Height 2 STORY

Type of Constr. TYPE II

Exposures 100 75%

Sprinkler System NO

Occupancy SINGLE FAMILY

Roof Constr. CLAY TILE / WOOD FRAME

Reviewed By: _____

Date: _____

APPROVALS

David A. Donnelly 3/23/89 DATE
LAS VEGAS VALLEY WATER DISTRICT

Debra E. Jackson 1-17-89 DATE
NEVADA POWER

William J. Thompson 1/9/89 DATE
CLV FIRE MARSHALL

ESTIMATE OF QUANTITIES:

WATER:

8" 8" WATER	6 LF
6" 6" WATER	304 LF
3/4" SERVICE W/ 5/8" METER	15 EA.
① FIRE HYDRANT ASS'Y	2 EA.
② 6" 90° BEND	1 EA.
③ 8" x 6" REDUCER	1 EA.
④ 2" BLOWOFF	1 EA.
5/8" METER ONLY	17 EA.

SEWER:

8" 8" PVC SEWER	350 LF
STANDARD MANHOLE	2 EA.
4" PVC SEWER LATERAL	110 LF
WYES	15 EA.

STREETLIGHTS:

100 WATT	4 EA.
1 1/4" CONDUIT	670 LF
3/2" PULL BOX	2 EA.
STOP SIGN	3 EA.
STREET NAME SIGN	3 EA.
REINWAY LOCATION	
POINT OF CONNECTION	

PLASTER DEVELOPMENT
LAS VEGAS, NEVADA

CONSULTING ENGINEERS - PLANNERS
2500 BASEO DEL PRADO BUILDING A
LAS VEGAS, NEVADA 89102 PHONE NO. 733-1950

MASTER UTILITY PLAN

SIGNATURE-COVE LANDING
UNIT 2

WO NO. 3383-2
BY JS
DATE DEC. 1988
SCALE 1"=40'

SHEET
5
OF 6 SHEETS

As Built 3074-4011-2