

FIRE DEPARTMENT NOTES

- ALL WORK SHALL BE DONE IN STRICT ACCORDANCE WITH THE CITY OF LAS VEGAS FIRE DEPARTMENT "HYDRANT SPECIFICATIONS", "HYDRANT INSTALLATION SPECIFICATIONS" AND ORDINANCE #3377.
- AUTHORIZED HYDRANTS FOR THIS PROJECT ARE:
A - KENNEDY GUARDIAN
B - MUELLER A-43 CENTURION
C - CLOW MODEL 2546 HORIZONTAL
- ON ANY NEW HOME OR BUILDING INSTALLATION, ACCESSIBLE FIRE HYDRANTS SHALL BE INSTALLED BEFORE COMPLETION OF CONSTRUCTION. CONDUITS AND SIZES FOR FIRE HYDRANTS SHALL BE IN GOOD WORKING ORDER WITH AN ADEQUATE WATER SUPPLY.
- CONTRACTOR SHALL PLACE A BLUE REFLECTIVE MARKER AT CENTER-LINE OF STREET ADJACENT TO FIRE HYDRANT AS REQUIRED IN ORDINANCE #3377 TO DENOTE FIRE HYDRANT LOCATIONS.
- CALL THE LAS VEGAS BUILDING DEPARTMENT AT 229-2071 FOR UNDERGROUND INSPECTION, PRESSURE AND FLUSH VERIFICATION OF ALL FIRE HYDRANTS AND FIRE LINES BEFORE COVERING.
- PAINTING OF THE CURBS AND HYDRANT AND ANY WORK NECESSARY FOR PROTECTION OF HYDRANTS FROM PHYSICAL DAMAGE PER ORDINANCE #3377 SHALL BE COMPLETED BEFORE APPROVAL BY THE CITY OF LAS VEGAS FIRE DEPARTMENT.
- A PERMIT IS REQUIRED FROM THE FIRE DEPARTMENT FOR ON-SITE WATER LINE AND FIRE HYDRANT. THE PERMIT AND CONTRACTOR MATERIAL AND TEST CERTIFICATE FOR UNDERGROUND PIPING FORM SHALL BE OBTAINED FROM THE FIRE PROTECTION ENGINEER DESK TO ANY WORK BEGINNING.
- A FLOW TEST MUST BE WITNESSED BY THE FIRE DEPARTMENT PRIOR TO OCCUPANCY FOR VERIFICATION OF REQUIRED ON-SITE WATER SUPPLY.
- ALL ON-SITE FIRE MAIN MATERIALS MUST BE U.L. LISTED AND A.R.W.A. APPROVED.
- FIRE HYDRANT SPACING:
RESIDENTIAL - 500 FEET UNSPRINKLED, 600 FEET SPRINKLED
COMMERCIAL, INCLUDING MULTI-FAMILY - 300 FEET UNSPRINKLED, 400 FEET SPRINKLED
- NO FIRE HYDRANTS SHALL BE LOCATED WITHIN THE REQUIRED RADII OF A CUL-DE-SAC OR WITHIN 20 FEET OF THE PERIMETER OF THE ROADS OF THE CUL-DE-SAC.
- NO FIRE HYDRANT SHALL BE LOCATED WITHIN 6 FEET OF ANY CURB RETURN, DRIVEWAY, POWER POLE, STREET LIGHT OR ANY OTHER OBSTRUCTION.
- NOT MORE THAN 2 HYDRANTS CAN BE OUT OF SERVICE DUE TO A SINGLE MAIN BREAK.
- THE TURNING RADII FOR ANY FIRE APPARATUS ACCESS ROAD AND/OR FIRE LANE, PUBLIC OR PRIVATE SHALL BE NOT LESS THAN 45 FEET OUTSIDE RADII AND 12 FEET INSIDE RADII.
- A FIRE APPARATUS ROAD SHALL BE REQUIRED WHEN ANY PORTION OF AN EXTERIOR WALL OF THE FIRST STORY IS LOCATED MORE THAN 150 FEET FROM A FIRE DEPARTMENT VEHICLE ACCESS. (SEE ORDINANCE #3377 SECTION 10.20.3).
- ALL DEAD END FIRE APPARATUS ACCESS ROADS AND/OR FIRE LINES PUBLIC OR PRIVATE IN EXCESS OF 150 FEET IN LENGTH SHALL BE PROVIDED WITH AN APPROVED TURNAROUND AREA. SEE ORDINANCE #3377.
- ELECTRICALLY CONTROLLED ACCESS GATES SHALL BE PROVIDED WITH AN APPROVED EMERGENCY VEHICLE DETECTOR/RECEIVER SYSTEM. SMO SYSTEM SHALL BE INSTALLED IN ACCORDANCE WITH THE CITY OF LAS VEGAS GUIDELINES FOR AUTOMATIC EMERGENCY VEHICLE ACCESS GATES.

LAS VEGAS FIRE DEPARTMENT

Fire flow Requirement is 1500 gpm per minute at 20 pounds per square inch residual.

Based on:
Square footage 1086 - 2491

Largest area between area separation walls N/A

Height 21 FEET

Type of Construction FRAME/STUCCO

Exposures 15 FEET

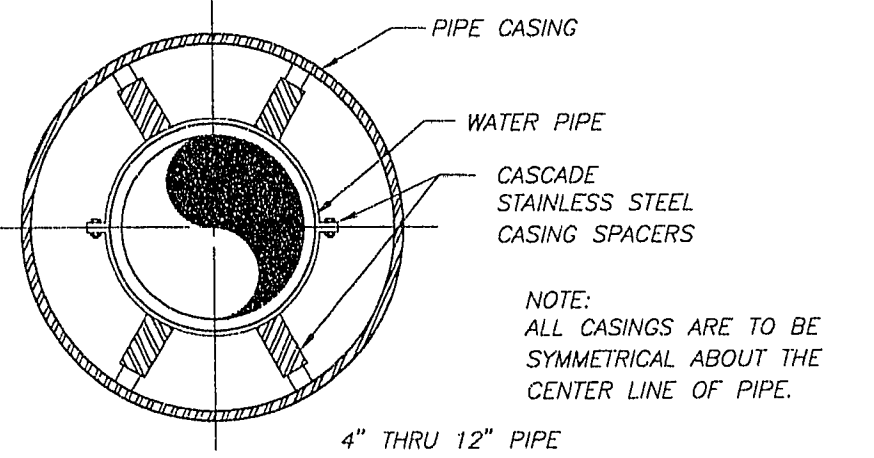
Sprinkler System NONE

Occupancy RESIDENTIAL

Roof Construction TILE

Review By: *[Signature]*

Date: 11-29-95

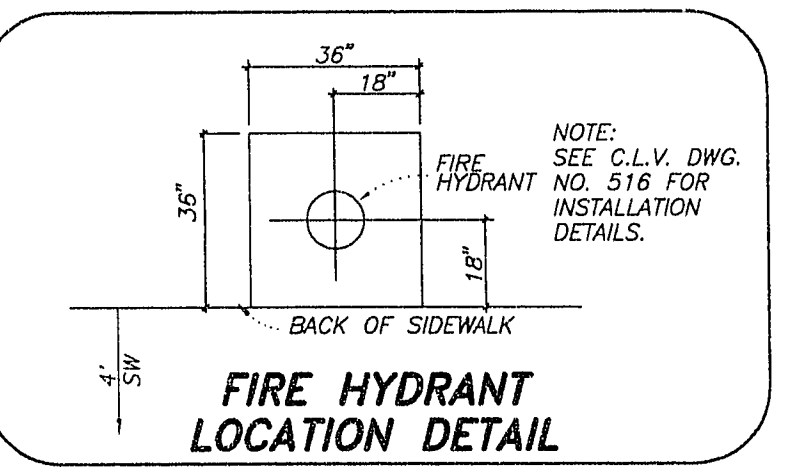
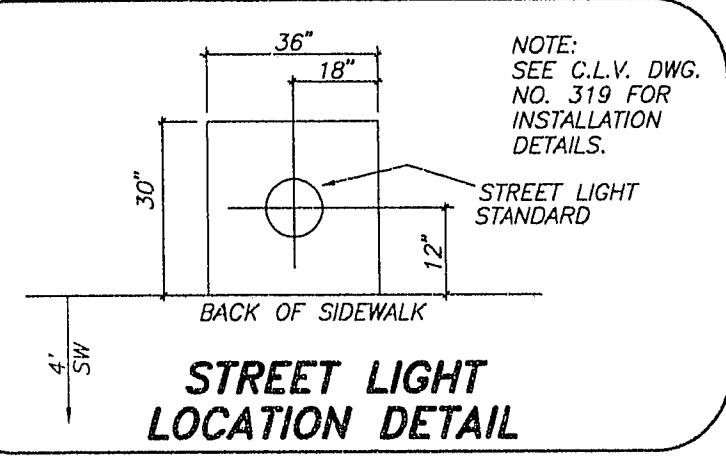


TYPICAL CASING SECTION

NOTE:
1. STEEL PIPE CASING SHALL BE FABRICATED FROM A MIN. OF 1/4" THICK STEEL PLATES, CONFORMING TO THE REQUIREMENTS OF ASTM A283, GRADE S.C. OR D. ALL JOINTS SHALL BE WELDED. INTERIOR JOINTS SHALL BE GROUNDED TO A SMOOTH FINISH. ALL WELDING SHALL BE PERFORMED IN ACCORDANCE WITH AWWA C201, "AWWA STANDARD FOR FABRICATED ELECTRICALLY WELDED STEEL WATER PIPE." COATINGS FOR STEEL CASING ARE NOT REQUIRED.

2. PIPE CASING SHALL BE LAID TRUE TO LINE AND GRADE WITH NO BENDS OR CHANGES IN GRADE FOR THE FULL LENGTH OF THE CASING.

3. THE PIPE SHALL BE SUPPORTED AT EACH END OF EACH JOINT WITH SPACERS. AFTER INSTALLATION OF THE WATER PIPE, THE CASING PIPE SHALL BE SEALED AT BOTH ENDS WITH CASCADE MODEL CCE5 END SEALS.



EASEMENTS AREAS

ALL PUBLIC EASEMENT SURFACE AREAS ARE TO BE MAINTAINED BY HOME OWNERS ASSOCIATIONS.

LAS VEGAS VALLEY WATER DISTRICT STANDARD NOTES

- NO WORK SHALL BEGIN ON THE WATER MAINS UNTIL THEY HAVE BEEN RELEASED FOR CONSTRUCTION BY THE LVWD. FOLLOWING APPROVAL OF THE PLANS BY THE LVWD COMMUNICATION SUPPORT CENTER (258-7171) PRIOR TO THE START OF CONSTRUCTION, NOTICE MUST BE GIVEN BY 24 HOURS TO THE LVWD. A LVWD INSPECTION, APPROVED SERVICE LATERALS, AND ANY SERVICE LATERALS MUST BE INSTALLED IN ACCORDANCE WITH THE LVWD DISTRICT STANDARD SPECIFICATIONS AND THE UNIFORM DESIGN AND CONSTRUCTION STANDARDS FOR WATER MAINS AND SERVICE LATERALS (UNIFORM DESIGN AND CONSTRUCTION STANDARDS FOR WATER MAINS AND SERVICE LATERALS).
- ALL WORK EXCEPT AS NOTED BY THESE PLANS OR BY NOTE 2, SHALL BE DONE IN ACCORDANCE WITH THE MOST CURRENT DRAFT OR ADDITION OF THE UNIFORM STANDARD SPECIFICATIONS FOR PUBLIC WORKS CONSTRUCTION OFFSITE IMPROVEMENTS, CLARK COUNTY AREA.
- A SINGLE PIPE MATERIAL SHALL BE USED THROUGHOUT THE PROJECT UNLESS OTHERWISE APPROVED BY THE LVWD.
- ALL SERVICE LATERALS TWO (2) INCHES IN DIAMETER AND SMALLER SHALL BE COPPER TUBING WITH LVWD APPROVED SERVICE SADDLES.
- ALL WATER METER BOXES SHALL BE LOCATED OUTSIDE OF DRIVEWAY AREAS.
- ALL VALVES SHALL BE LOCATED OUTSIDE OF DRIVEWAYS, VALLEY AND CURB CUTTERS.
- THE FOLLOWING REQUIREMENTS MUST BE MET IN THE EVENT A WATER LINE AND SANITARY OR STORM SEWER LINE CROSS:
A. MINIMUM EIGHTEEN (18) INCH VERTICAL SEPARATION (OUTSIDE TO OUTSIDE) MUST BE MAINTAINED WHEN THE WATER LINE IS INSTALLED OVER THE SANITARY OR STORM SEWER LINE. IF THE VERTICAL SEPARATION CHANGE LINE OF THE WATER LINE MUST BE PLACED UNDER THE SANITARY OR STORM SEWER LINE, THE SANITARY OR STORM SEWER LINE MUST BE CONSTRUCTED WITH ONE OF THE FOLLOWING OR AS SHOWN ON THESE PLANS:
A. POTABLE WATER SUPPLY QUALITY MATERIAL.
B. ENCASEMENT WITH POLY (MINIMUM) 12" THICK CONCRETE OR EQUIVALENT.
C. SLEEVING WITH POTABLE WATER SUPPLY QUALITY PIPE.
EACH PROVISION MUST EXTEND ALONG THE SANITARY OR STORM SEWER CROSS OTHER SIDE OF THE MAIN A MINIMUM 10 FOOT DISTANCE PERPENDICULAR TO THE WATER MAIN EXTERIOR.
- WARNING TAPS SHALL BE REQUIRED OVER ALL MAINS, ALL SIX (6) INCH DIAMETER AND LARGER SERVICE LATERALS, AND ANY SERVICE LATERAL NOT INSTALLED PERPENDICULAR TO THE MAIN IN ACCORDANCE WITH STANDARD PLATE NO. 27.
- ALL WATER FACILITIES SHALL BE FILLED, DISINFECTED, PRESSURE TESTED, FLUSHED, FILLED AND AN ACCEPTABLE WATER SAMPLE OBTAINED, PRIOR TO CONNECTION TO THE LVWD'S DISTRIBUTION SYSTEM.
- THE CONTRACTOR MUST OBTAIN ALL METERS TWO (2) INCHES AND SMALLER FROM LVWD CENTRAL STORES. TELEPHONE 258-3152 FORTY-EIGHT HOURS PRIOR TO PICKUP.
- CONSTRUCTION MAY INTERRUPT SERVICE, WITH LVWD APPROVAL AND PROPER NOTIFICATION, BETWEEN THE HOURS OF 10 P.M. AND 6 A.M. SUNDAY THROUGH THURSDAY. CIRCUMSTANCES MAY REQUIRE TEMPORARY SERVICE FEEDS BE INSTALLED, WITHOUT LVWD REIMBURSEMENT. ANY TEMPORARY SERVICE FEED MUST HAVE PRIOR LVWD APPROVAL.
- ALL WATER FACILITY CONSTRUCTION MATERIALS USED MUST BE AS LISTED ON THE LVWD'S PRE-APPROVED MATERIALS AND MANUFACTURERS LISTING FOR NEW FACILITIES, LATEST REVISION, OR SPECIALLY APPROVED ON THESE PLANS.

