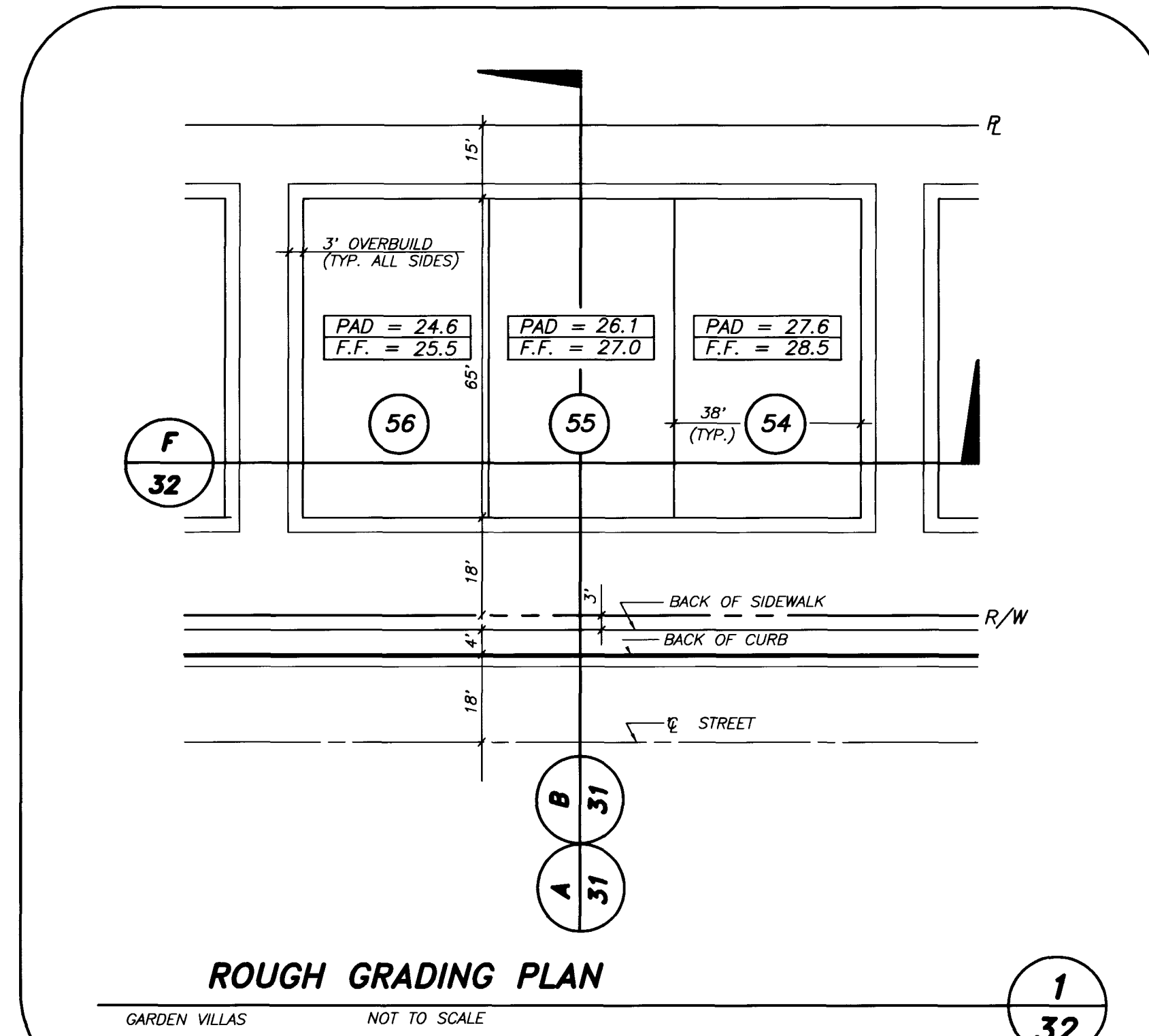
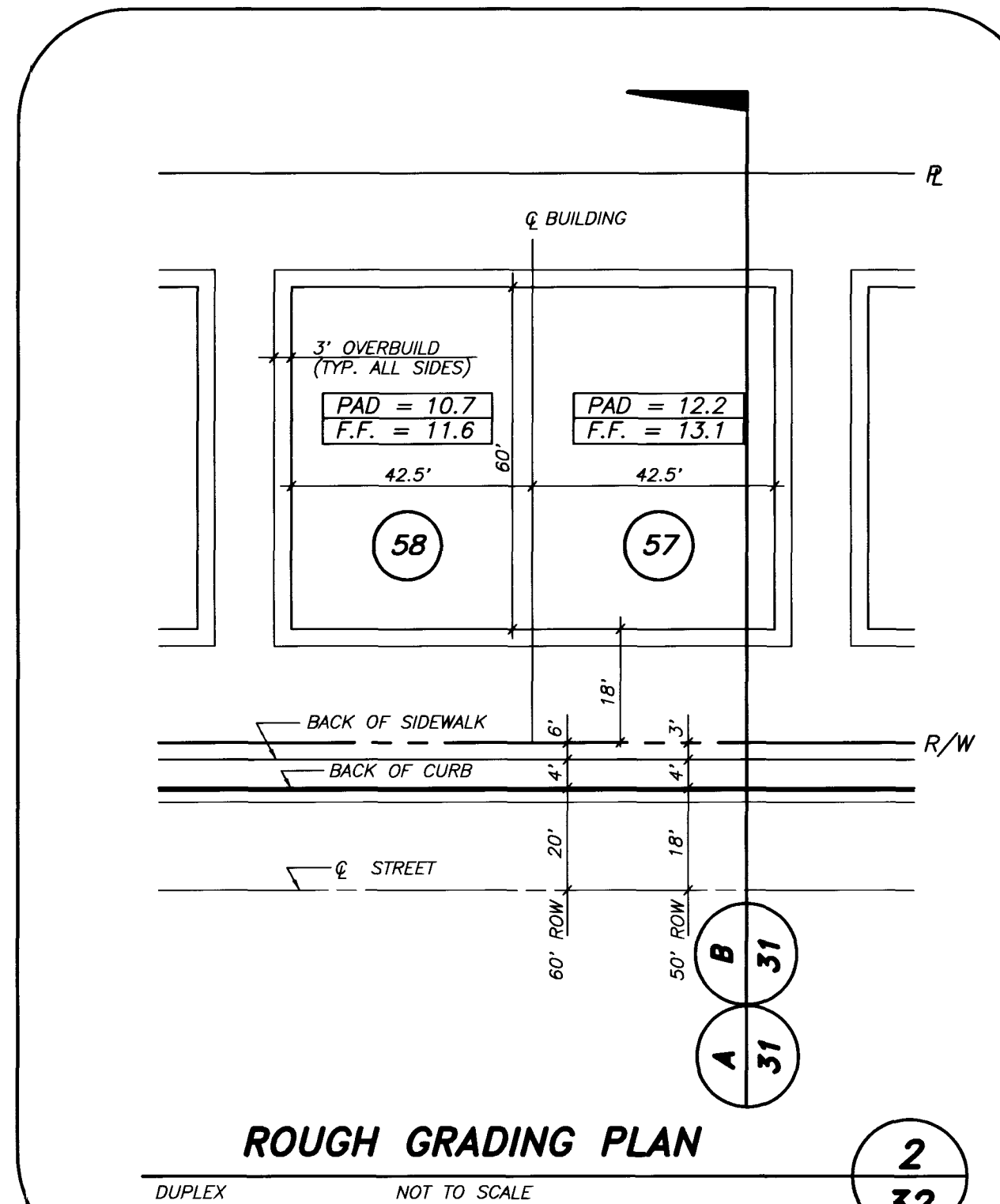


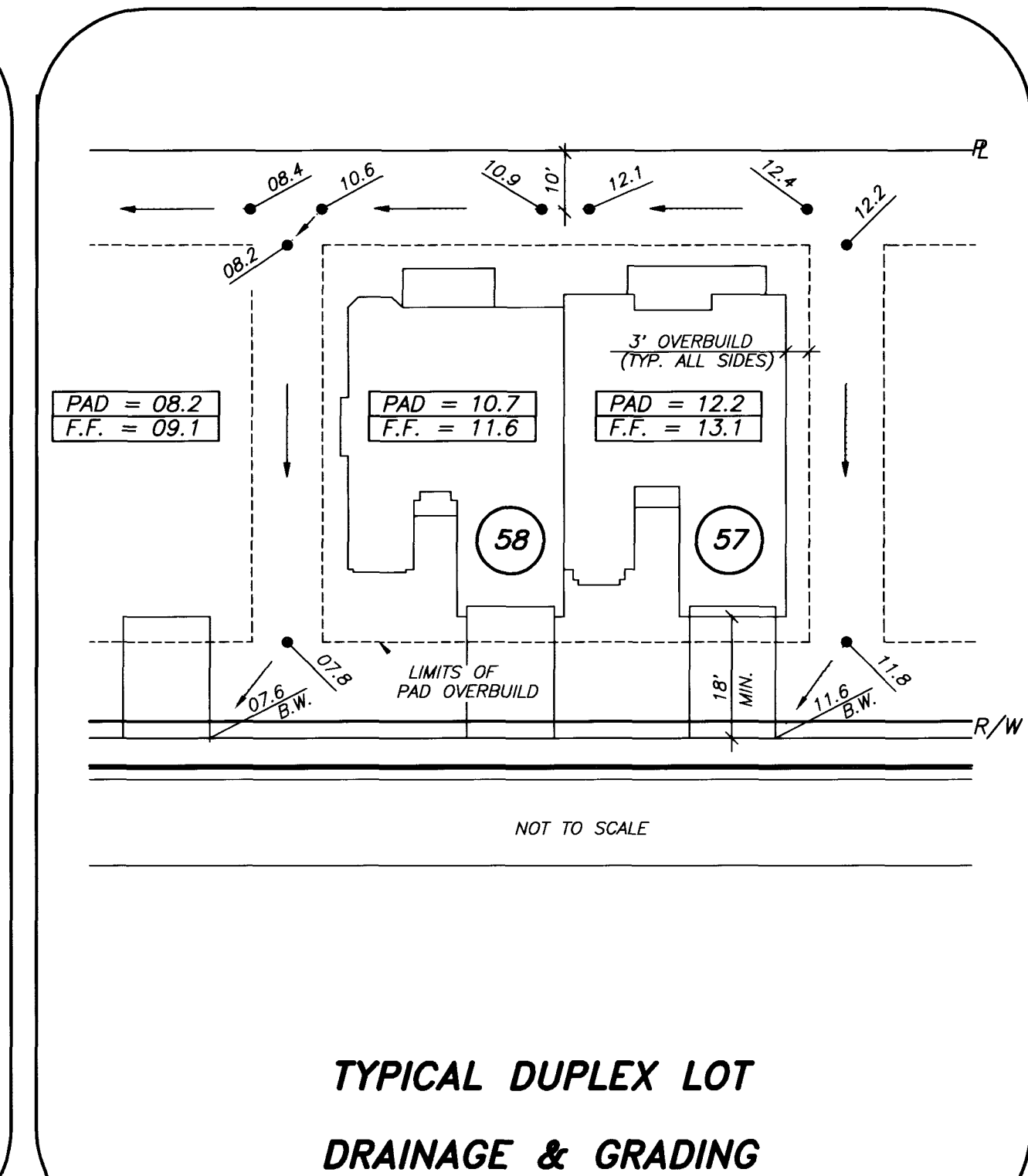
TYPICAL GARDEN VILLA LOT
DRAINAGE & GRADING



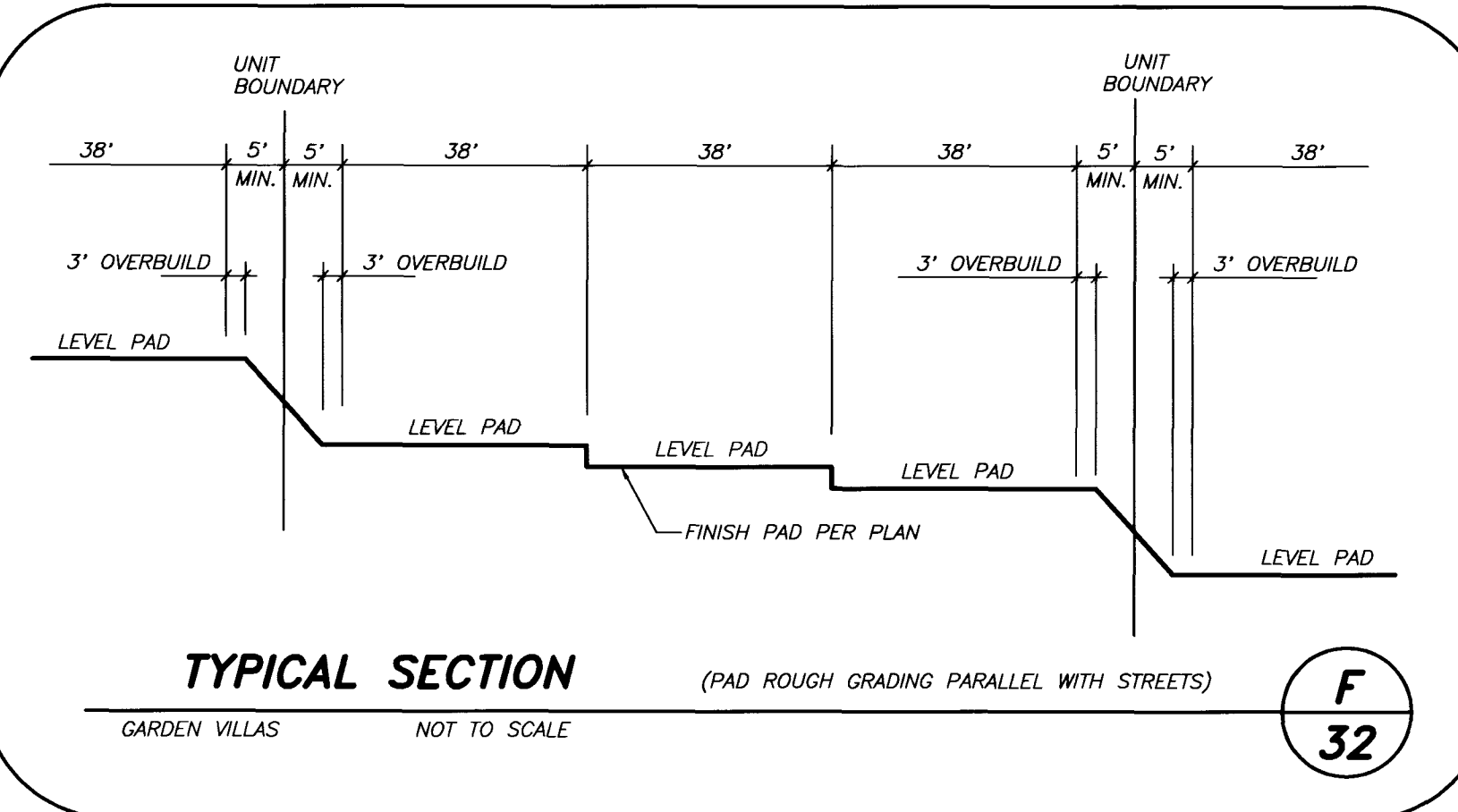
ROUGH GRADING PLAN



ROUGH GRADING PLAN

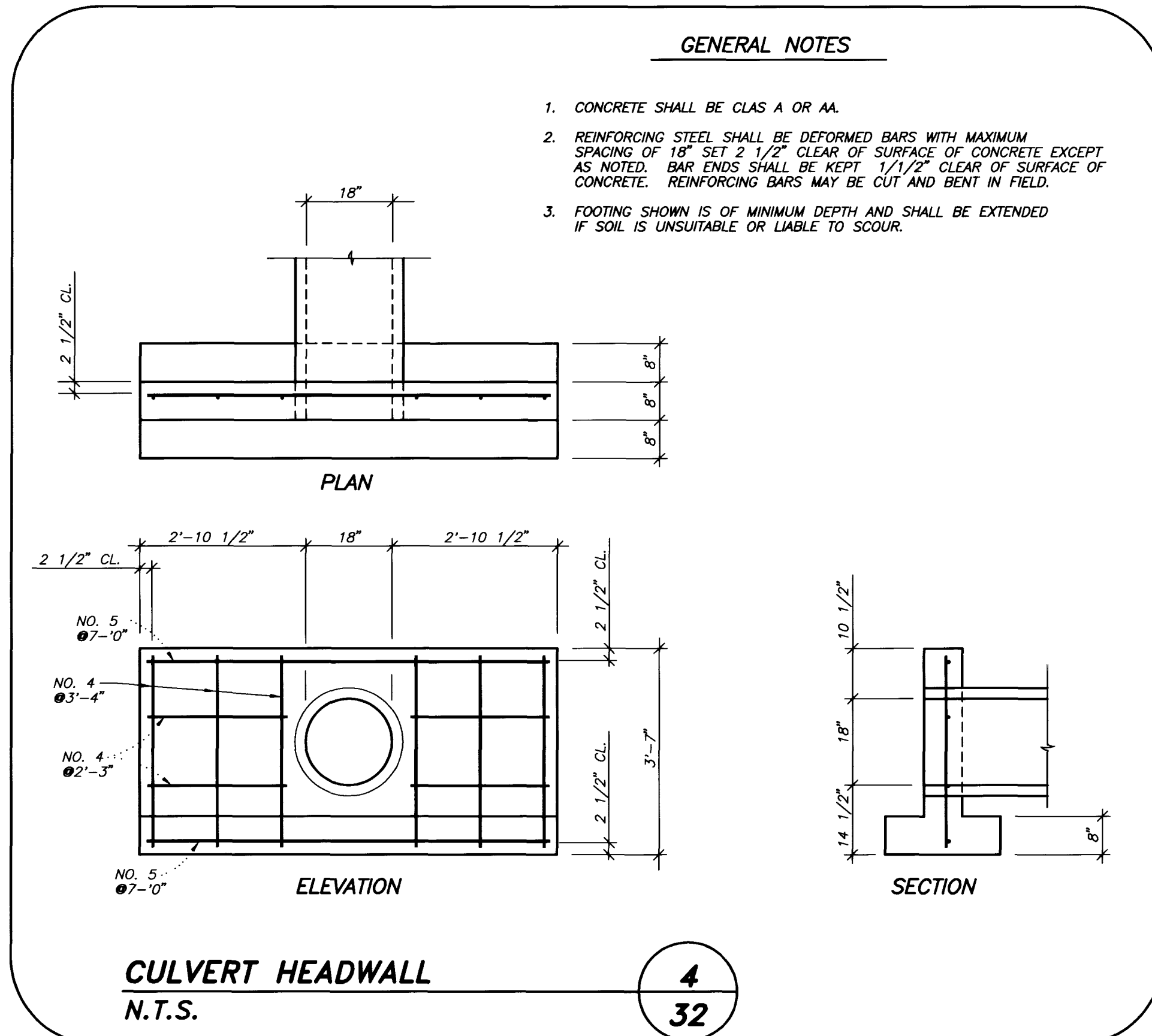


TYPICAL DUPLEX LOT
DRAINAGE & GRADING

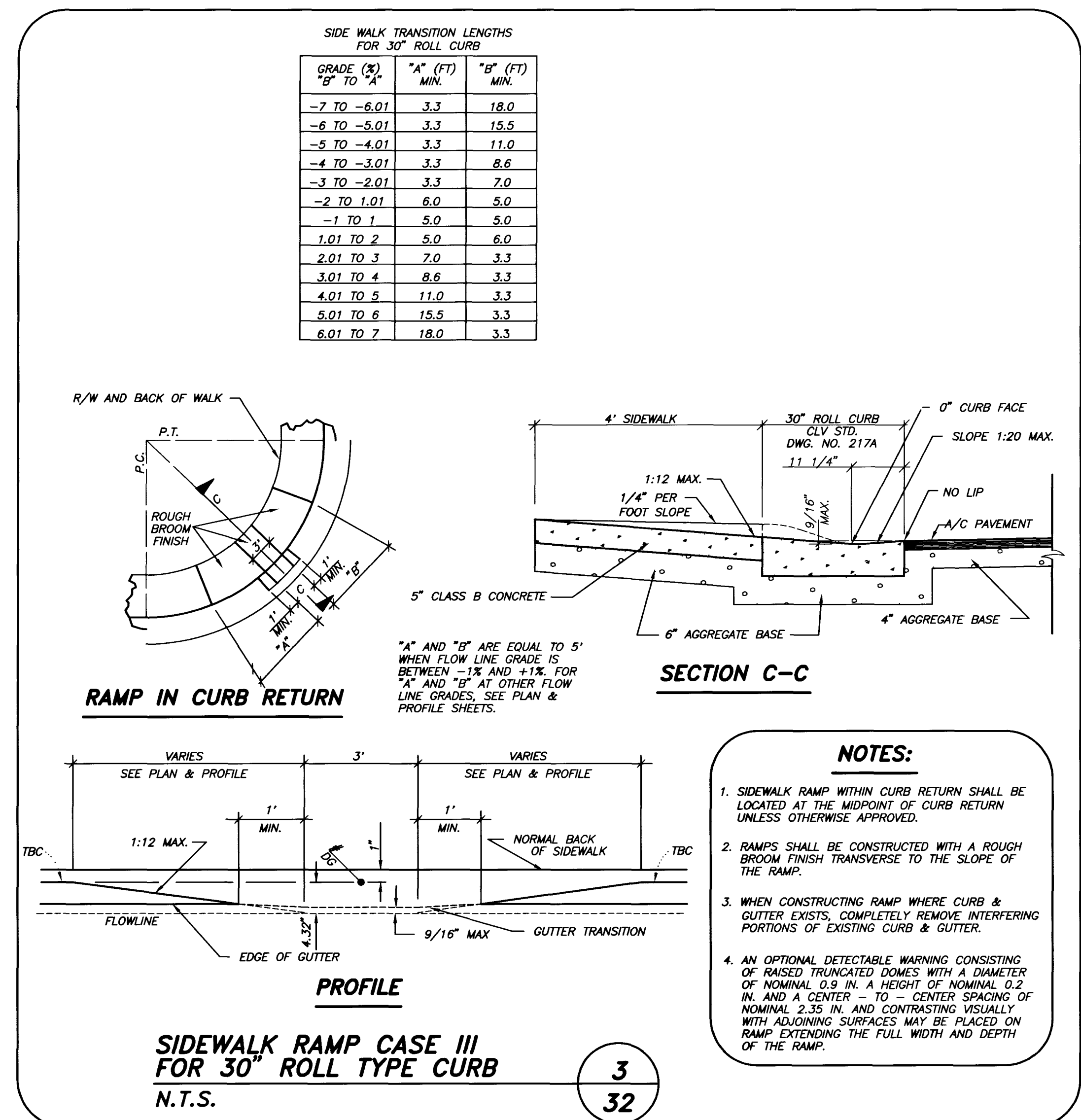


TYPICAL SECTION

Call before you Dig.
1-800-227-2600
UNDERGROUND SERVICE (USA)



CULVERT HEADWALL
N.T.S.



SIDEWALK RAMP CASE III
FOR 30" ROLL TYPE CURB
N.T.S.

RECOMMENDED BY: ENGINEER - STATE OF NEVADA
SONNY W. WALLACE, INC. 10118 P.E. NO. DATE
S. WALLACE ARCHITECTS 10118 P.E. NO. DATE
1555 SOUTH RAINBOW BLVD./LAS VEGAS, NEVADA 89102
DEL WEBB COMMUNITIES, INC.
SUN CITY SUMMERLIN - UNIT NO. 47
GRADING DETAILS II
SHEET
32
OF 34 SHEETS