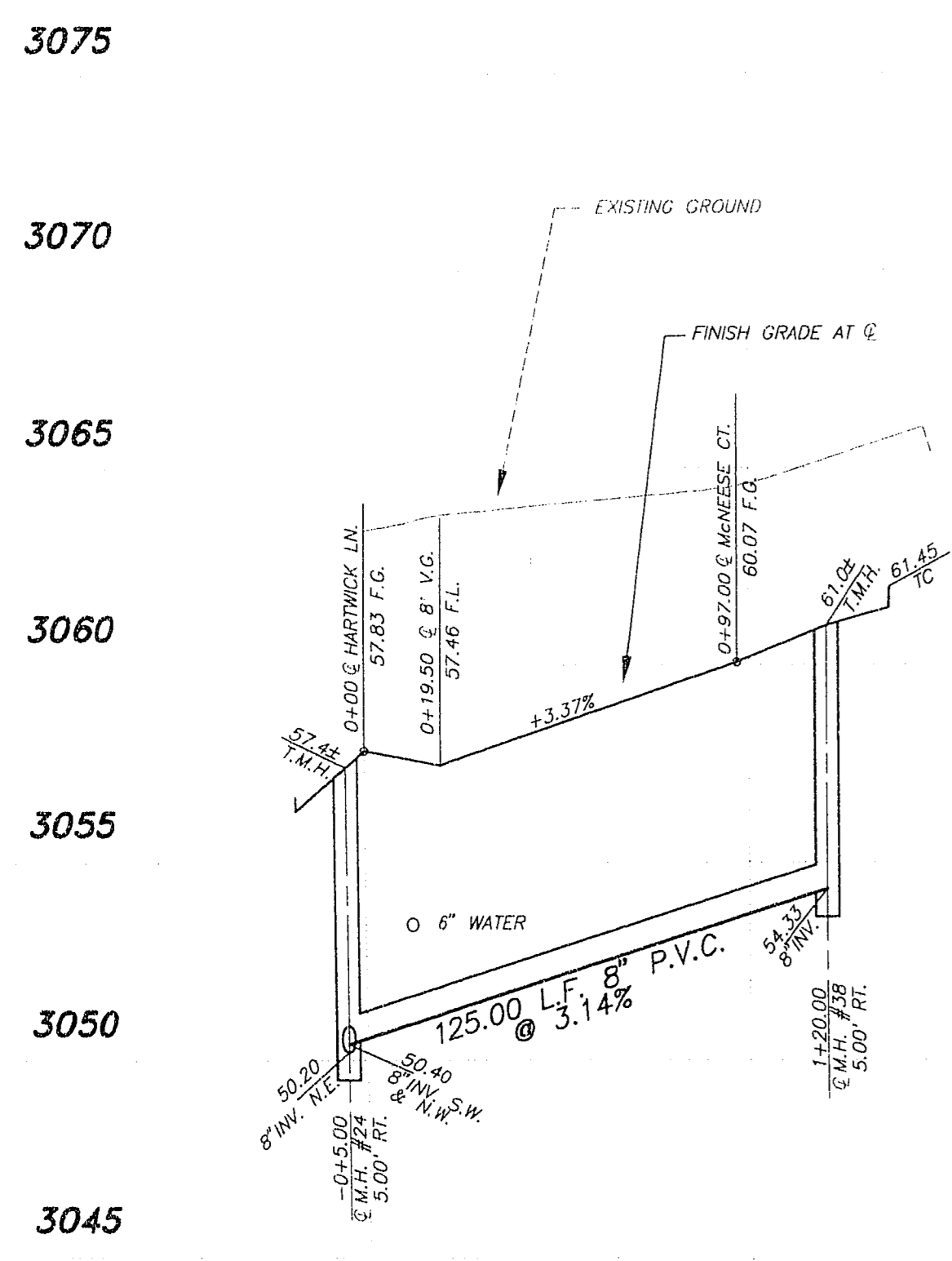
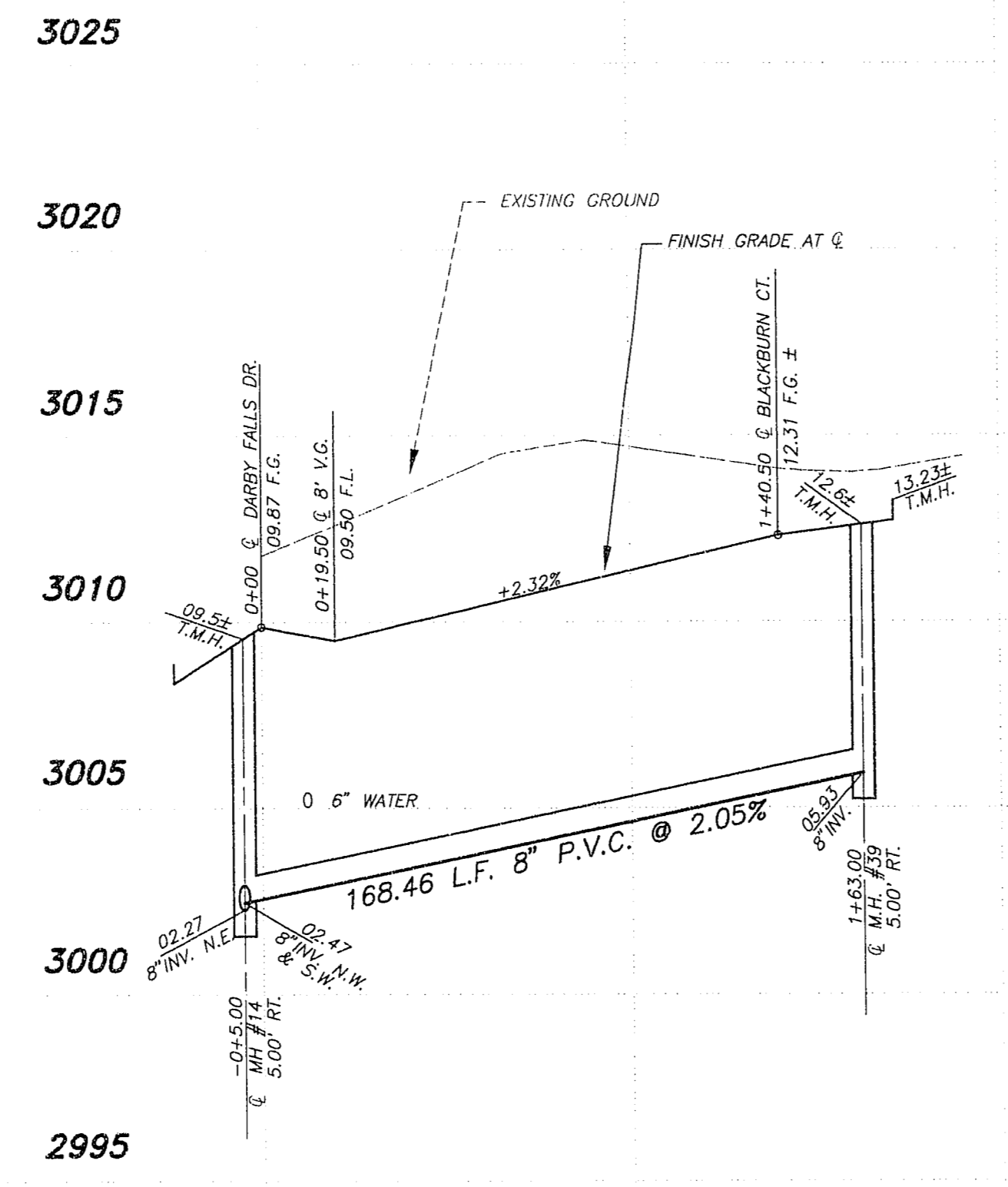


JOB NO. 701.184 PLOTTED: 04/21/94 8:00 AM DRAWING: C:\DRAWINGS\DW\UNIT3\043-28 BR: SMC



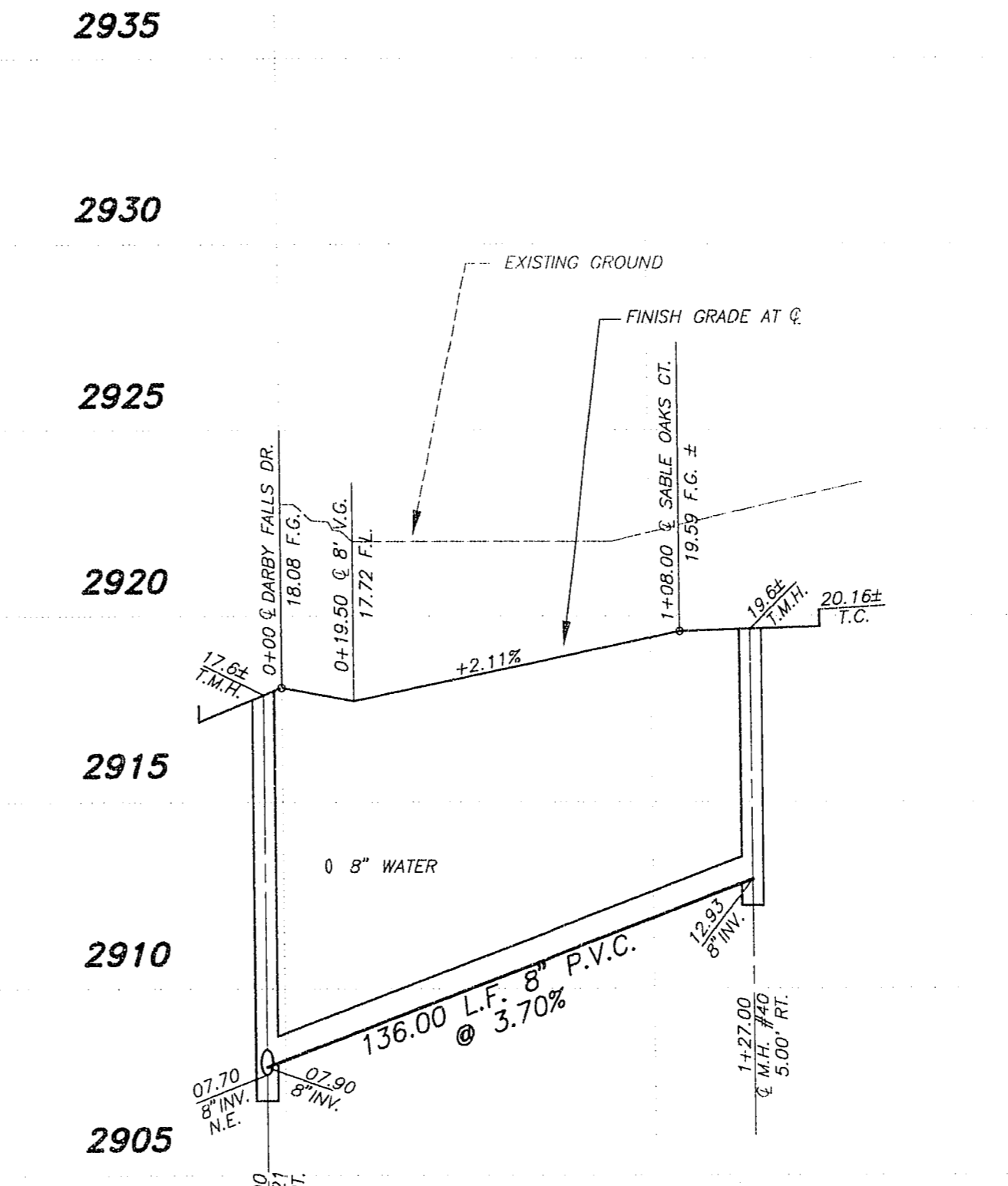
0+00 1 2
PROFILE
SCALE: HORIZ. 1" = 40'
VERT. 1" = 4'

McNEESE COURT



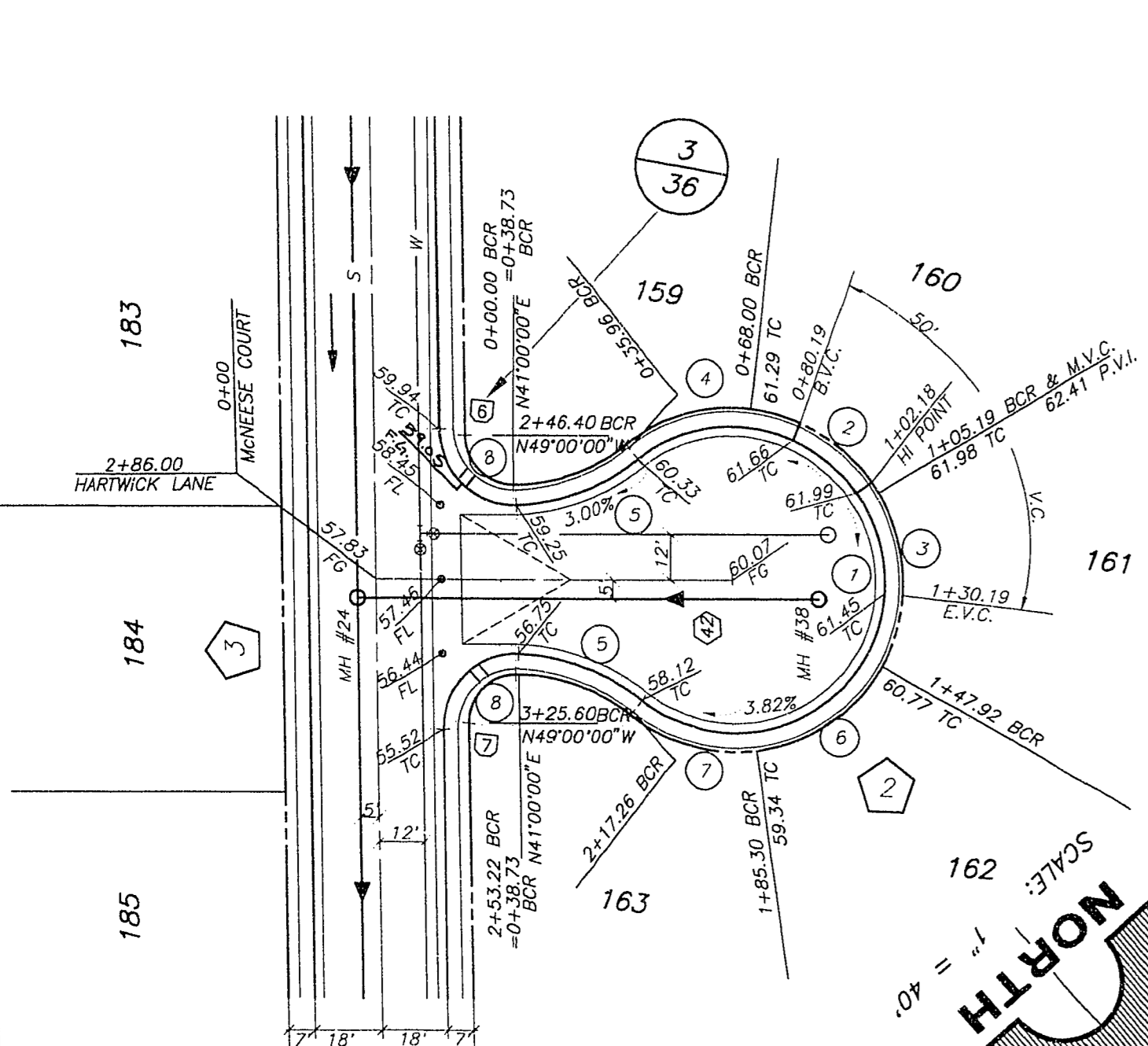
0+00 1 2
PROFILE
SCALE: HORIZ. 1" = 40'
VERT. 1" = 4'

BLACKBURN COURT

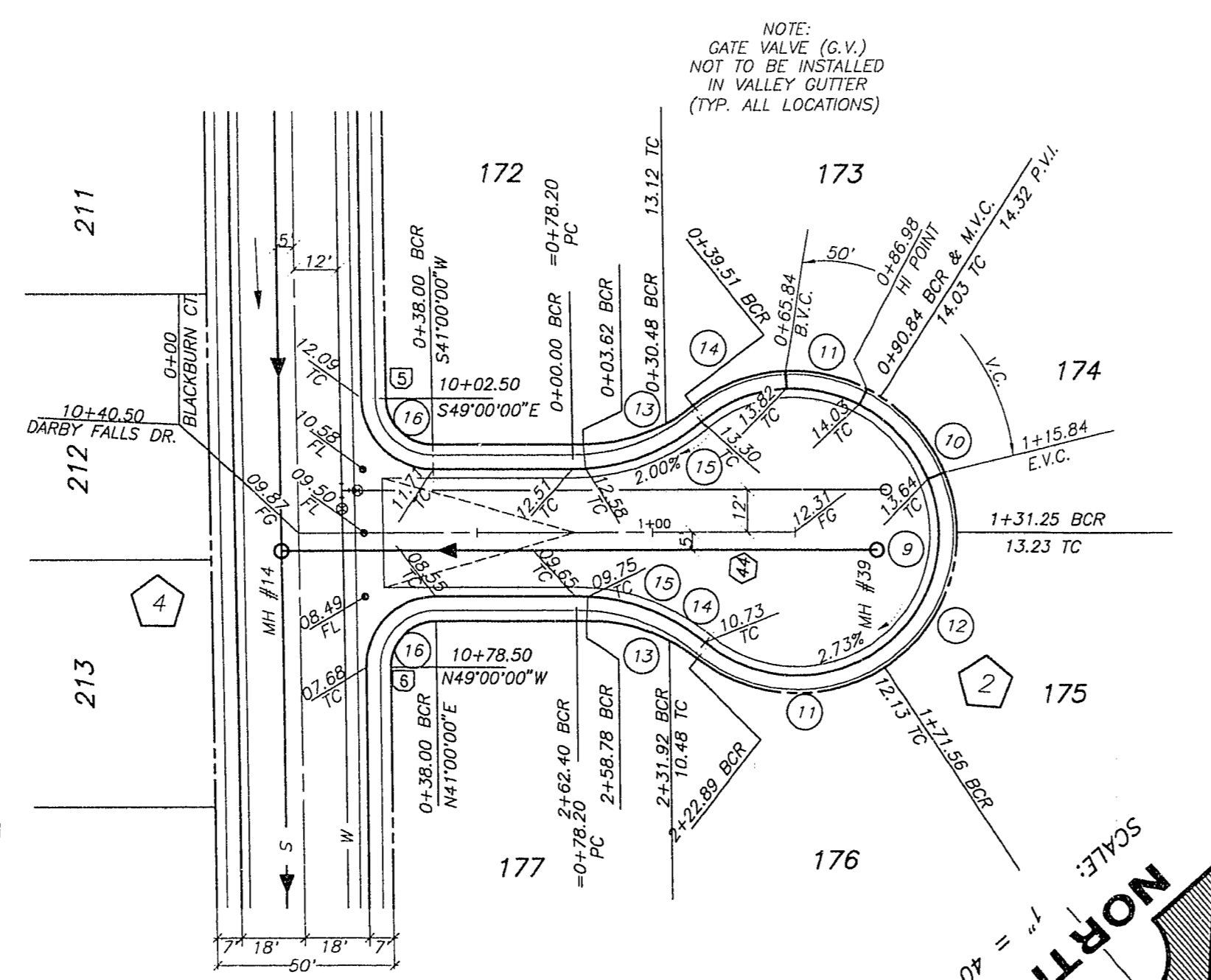


0+00 1 2
PROFILE
SCALE: HORIZ. 1" = 40'
VERT. 1" = 4'

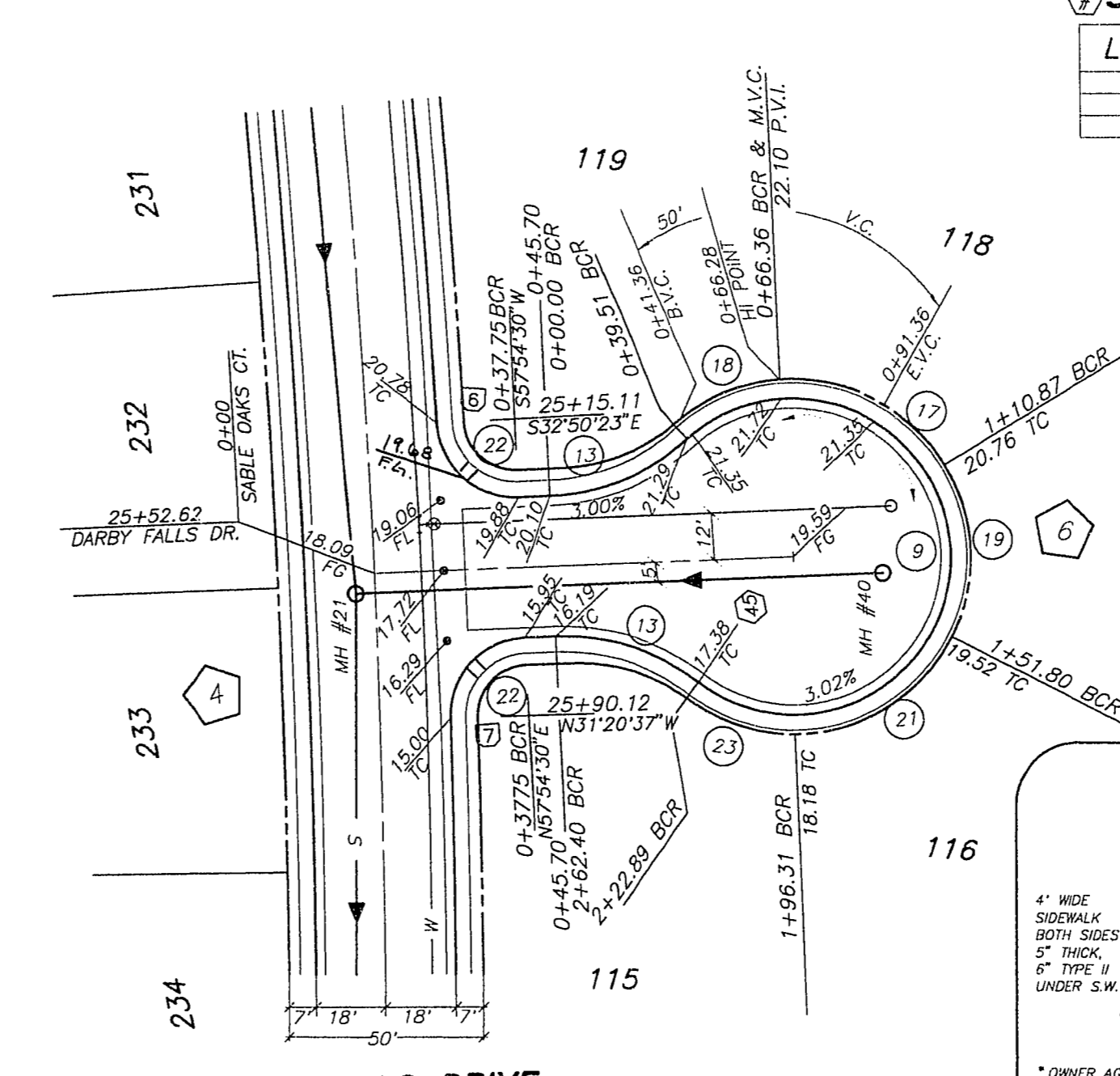
SABLE OAKS COURT



HARTWICK LANE
(SEE SHEET 18)
McNEESE COURT



DARBY FALLS DRIVE
(SEE SHEET 14)
BLACKBURN COURT



DARBY FALLS DRIVE
(SEE SHEET 16)
SABLE OAKS COURT

SEWER LINE TABLE

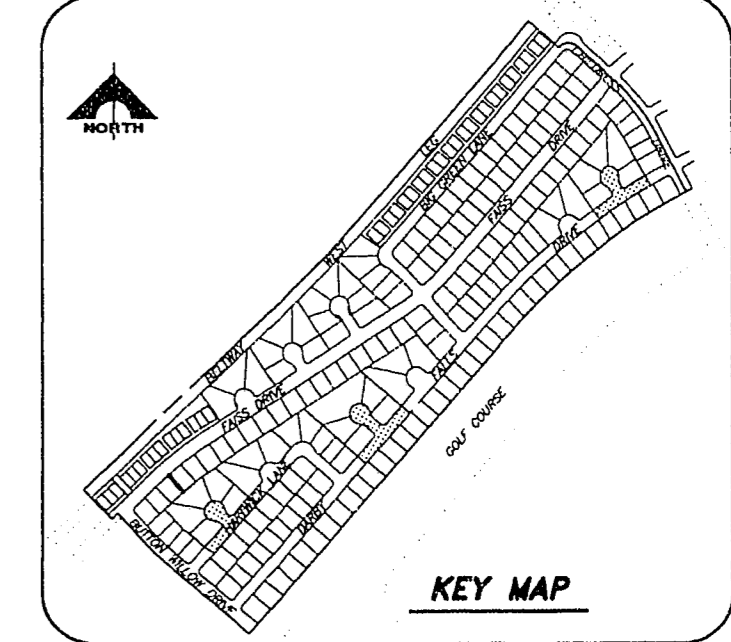
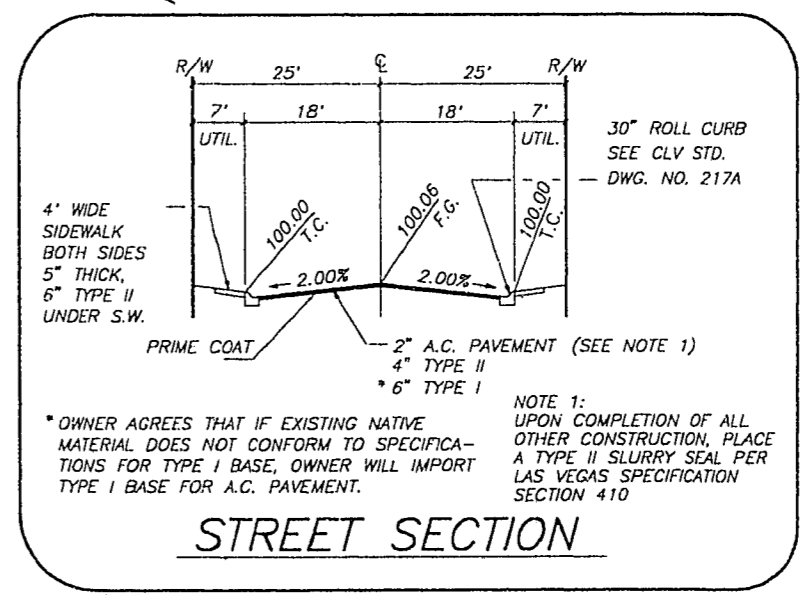
LINE	BEARING	DISTANCE
4.3	N49°0'00\"W	125.00'
4.4	N49°0'00\"W	168.46'
4.5	N32°05'30\"W	136.00'

MH COORDINATES

MH#	NORTH	EAST
24	531966.934	574161.353
38	532046.917	574067.043
14	532372.348	574845.027
39	532492.899	574712.897
21	533420.770	575922.582
40	533535.961	575850.346

CURVE TABLE

CURVE	DELTA	RADIUS	LENGTH	TANGENT
1	256°29'44"	40.50'	181.31'	---
2	52°37'04"	40.50'	37.19'	20.02'
3	60°26'38"	40.50'	42.71'	24.59'
4	45°19'58"	40.50'	32.04'	16.91'
5	36°04'36"	37.00'	35.96'	18.60'
6	32°53'18"	40.50'	37.99'	20.14'
7	45°12'46"	40.50'	31.96'	16.86'
8	32°06'18"	28.00'	32.15'	20.75'
9	256°25'49"	40.50'	183.38'	---
10	57°10'11"	40.50'	40.41'	22.07'
11	72°36'33"	40.50'	51.33'	28.76'
12	57°01'51"	40.50'	40.31'	22.00'
13	39°42'54"	57.00'	39.51'	20.39'
14	12°19'25"	57.00'	19.51'	6.14'
15	27°26'29"	57.00'	27.30'	13.92'
16	90°00'00"	20.00'	31.42'	20.00'
17	37°10'34"	40.50'	40.94'	22.41'
18	37°46'19"	40.50'	26.70'	13.86'
19	57°44'44"	40.50'	40.94'	22.41'
20	63°13'22"	40.50'	44.69'	24.31'
21	89°15'07"	20.00'	31.15'	19.74'
22	37°20'51"	40.50'	26.50'	13.62'



APPROVED FOR CONSTRUCTION
LWVWD 5/21/94 DATE

RECORDING INFORMATION: 10118 P.E. NO. DATE 4-27-94

REGISTERED PROFESSIONAL ENGINEER - STATE OF NEVADA
G. C. WALLACE, INC.
1555 SOUTH RAINBOW BLVD., LAS VEGAS, NEVADA 89102
Engineering/Architecture

DEL WEBB COMMUNITIES, INC.
SUN CITY LAS VEGAS UNIT NO. 43
McNEESE COURT; BLACKBURN COURT; SABLE OAKS COURT

SHEET 26 OF 38 SHEETS

10-10-76 1071-4141-43